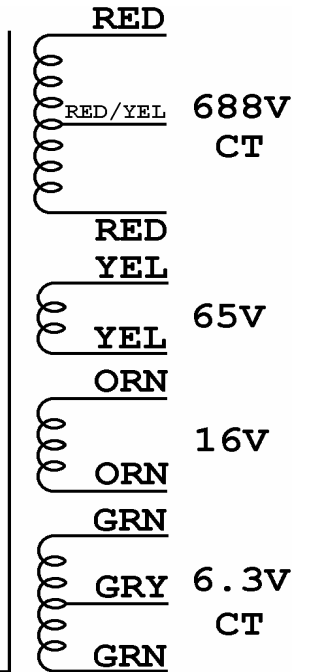
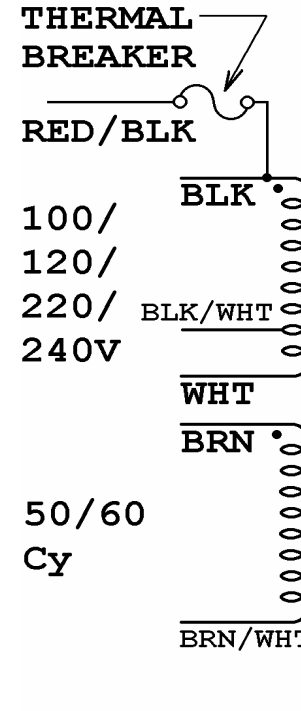
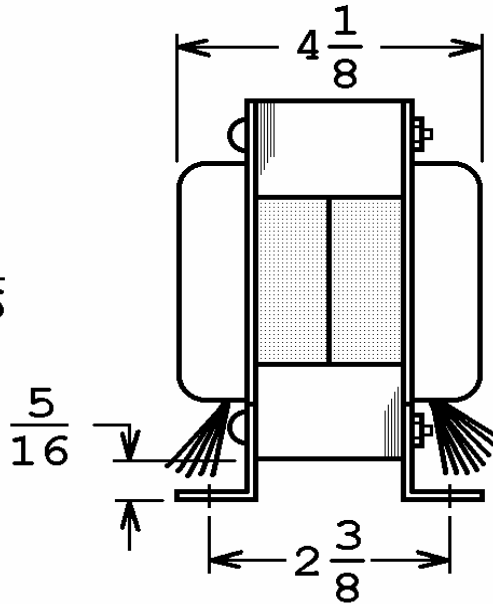
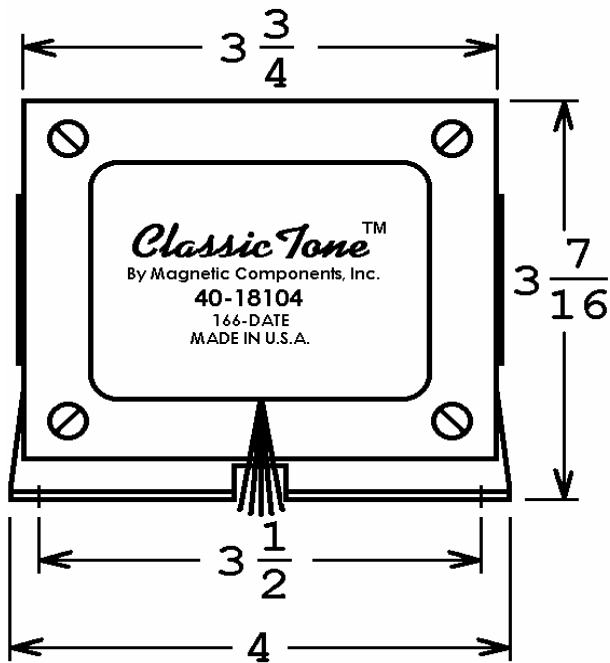


This drawing is the property of Magnetic Components, Inc. and shall not be reproduced, in whole or in part, without the written permission of Magnetic Components, Inc.

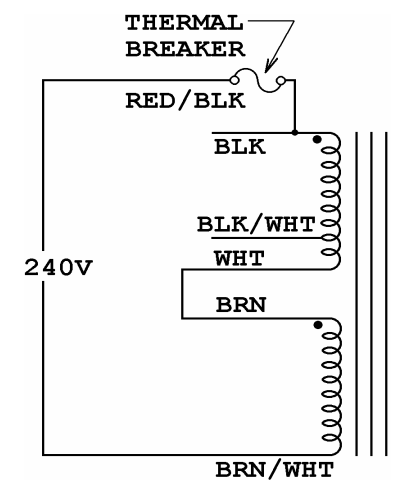
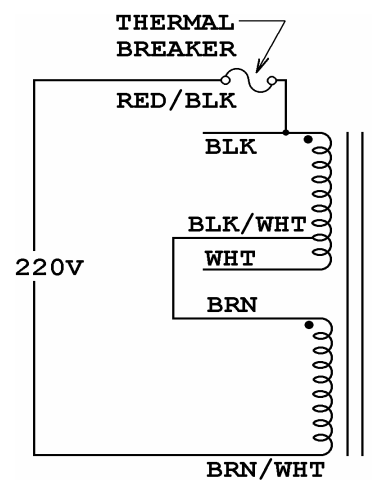
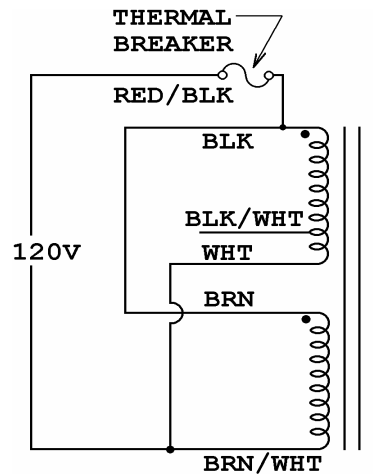
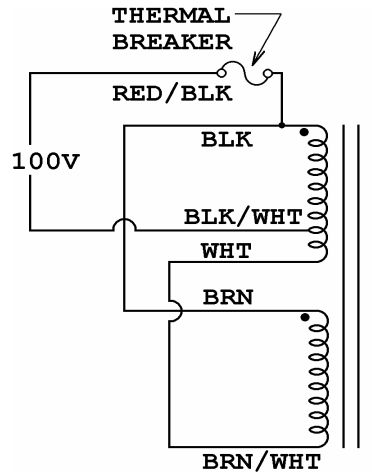
REVISIONS			
LTR	DESCRIPTION	DATE	APPROVED



SEE SHEET 2 FOR PRIMARY WIRING CONNECTIONS

UNLESS OTHERWISE SPECIFIED	SIGNATURES		DATE	MAGNETIC COMPONENTS, INC.		DIV : SCHILLER PK	
	DRAWN : <i>[Signature]</i>		12 NOV 2014	TITLE		EGNATER TWEAKER 40 POWER	
ALL DIMENSIONS IN INCHES DO NOT SCALE DRAWING	CHECK :			CAGE		PART No.	
FRACTIONS +/-	APPR : <i>[Signature]</i>		12 NOV 2014	50508	A		40-18104
.X = +/-				SCALE	NONE		REV
.XX = +/-						-	
.XXX = +/-						SHEET : 1 OF 2	
ANGLES = +/-							

This drawing is the property of Magnetic Components, Inc. and shall not be reproduced, in whole or in part, without the written permission of Magnetic Components, Inc.



UNLESS OTHERWISE SPECIFIED	SIGNATURES		DATE		MAGNETIC COMPONENTS, INC.		DIV :		
	DRAWN : <i>MJ</i>		12 NOV 2014				LOC : SCHILLER PK		
ALL DIMENSIONS IN INCHES DO NOT SCALE DRAWING	CHECK :				TITLE				
					EGNATER TWEAKER 40 POWER				
FRACTIONS +/-					CAGE	50508	SIZE	PART No.	REV
.X = +/-	APPR : <i>M. Sacketa</i>		12 NOV 2014				A	40-18104	-
.XX = +/-					SCALE				
.XXX = +/-									
ANGLES = +/-									SHEET : 2 OF 2