

8

7

6

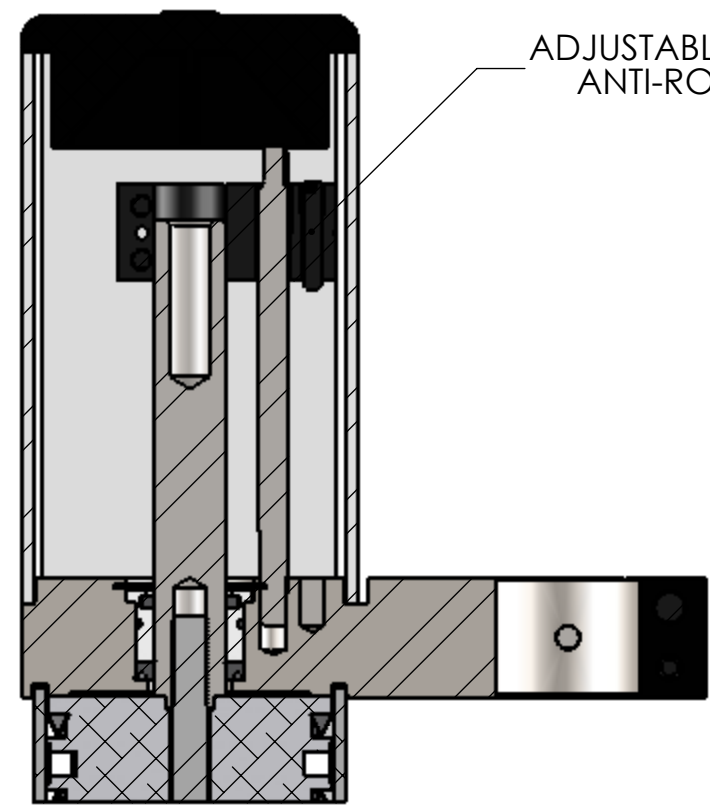
5

4

3

2

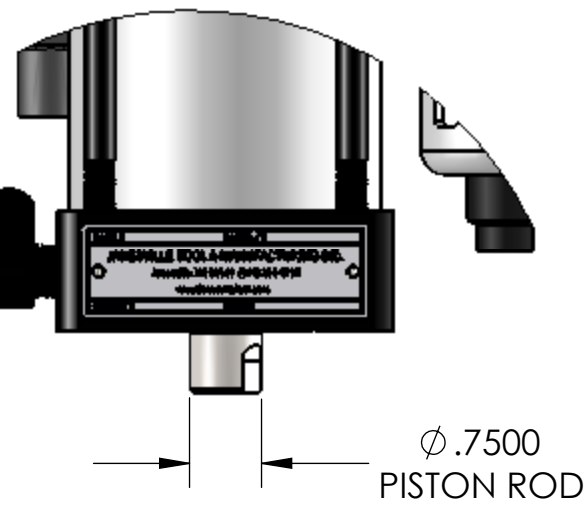
1



SECTION X-X
SCALE 1 : 2

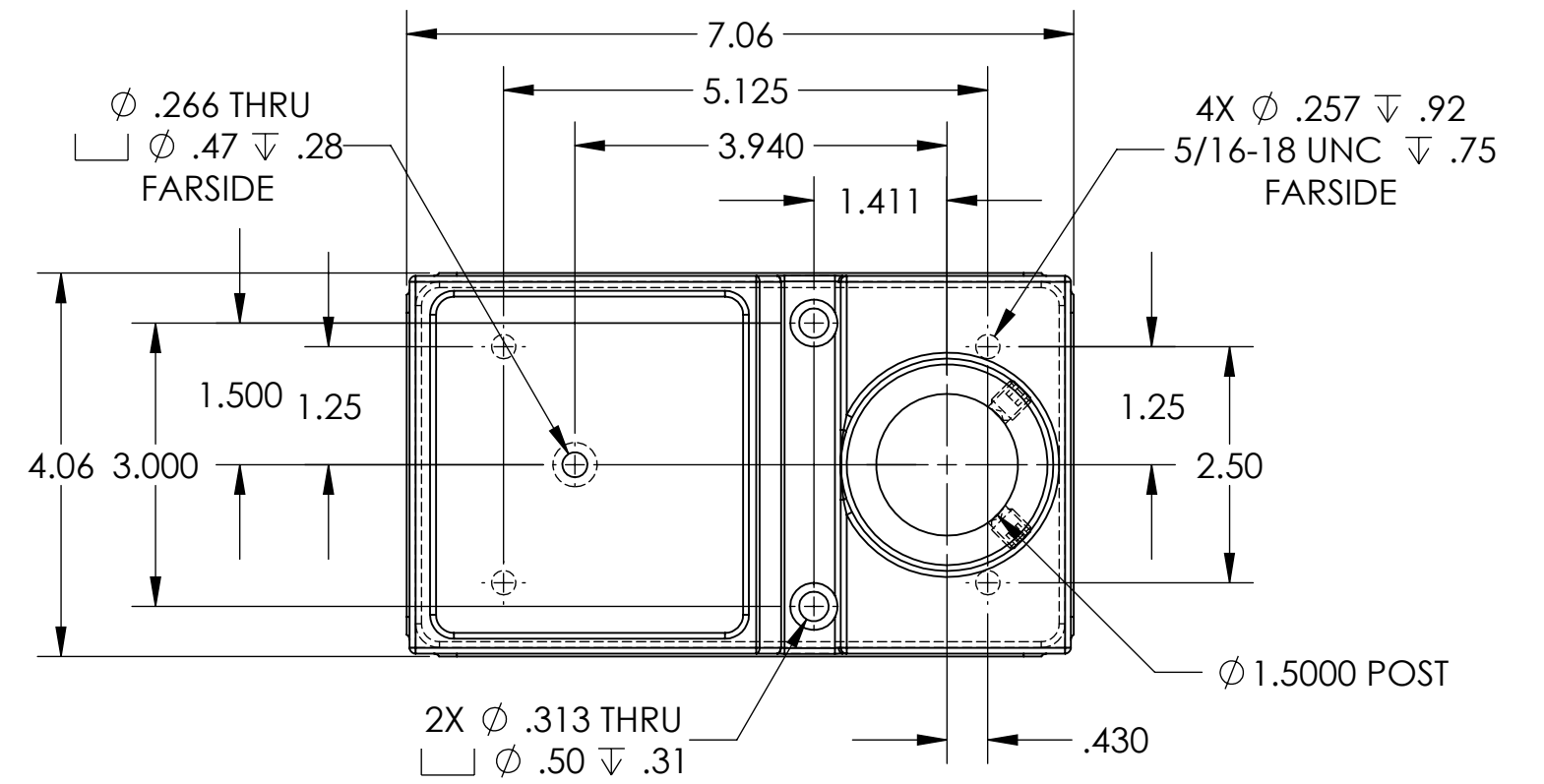
ADJUSTABLE DOWNSTOP/
ANTI-ROTATE MECH.

ADJUSTABLE FLOW
CONTROL FITTINGS



DETAIL Y
SCALE 1 : 2

Ø .7500
PISTON ROD



SECTION Z-Z
SCALE 1 : 2

Ø .266 THRU
Ø .47 ∇ .28
FARSIDE

4X Ø .257 ∇ .92
5/16-18 UNC ∇ .75
FARSIDE

2X Ø .313 THRU
Ø .50 ∇ .31

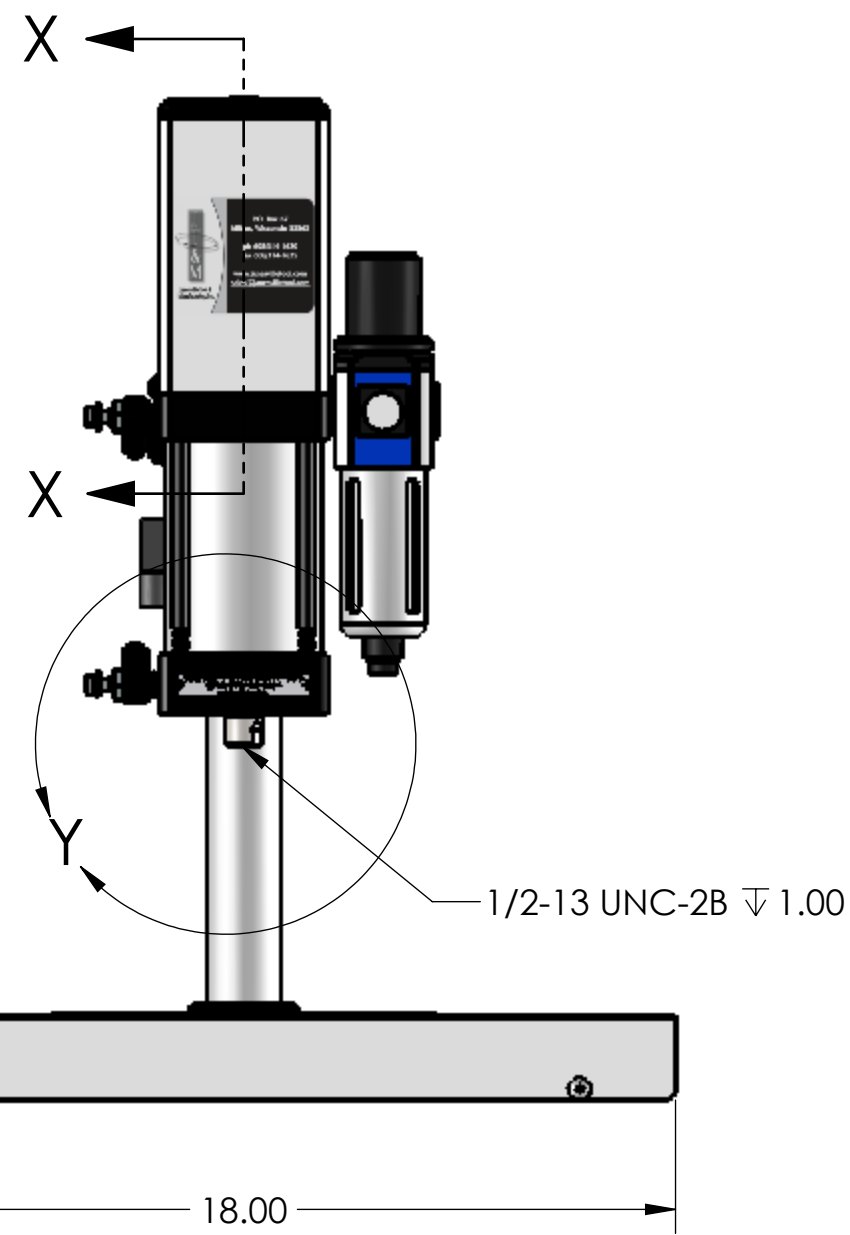
Ø 1.5000 POST

D

C

B

A



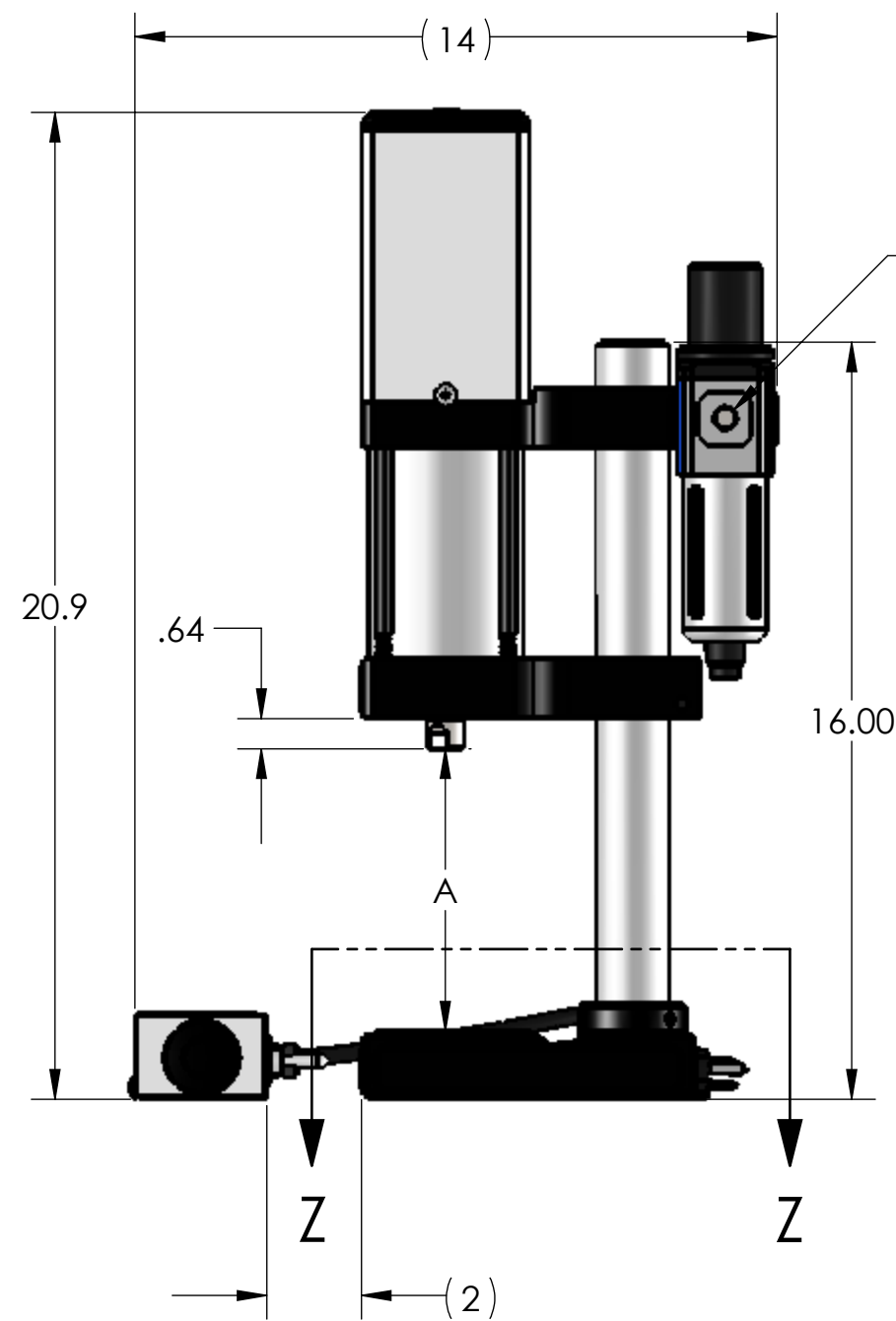
1.79

18.00

1/2-13 UNC-2B ∇ 1.00

NOTE:

1. E-66 & EC-66 ARE COMPATIBLE WITH #1-6 MDS DIE SETS ONLY



20.9

.64

A

16.00

Z

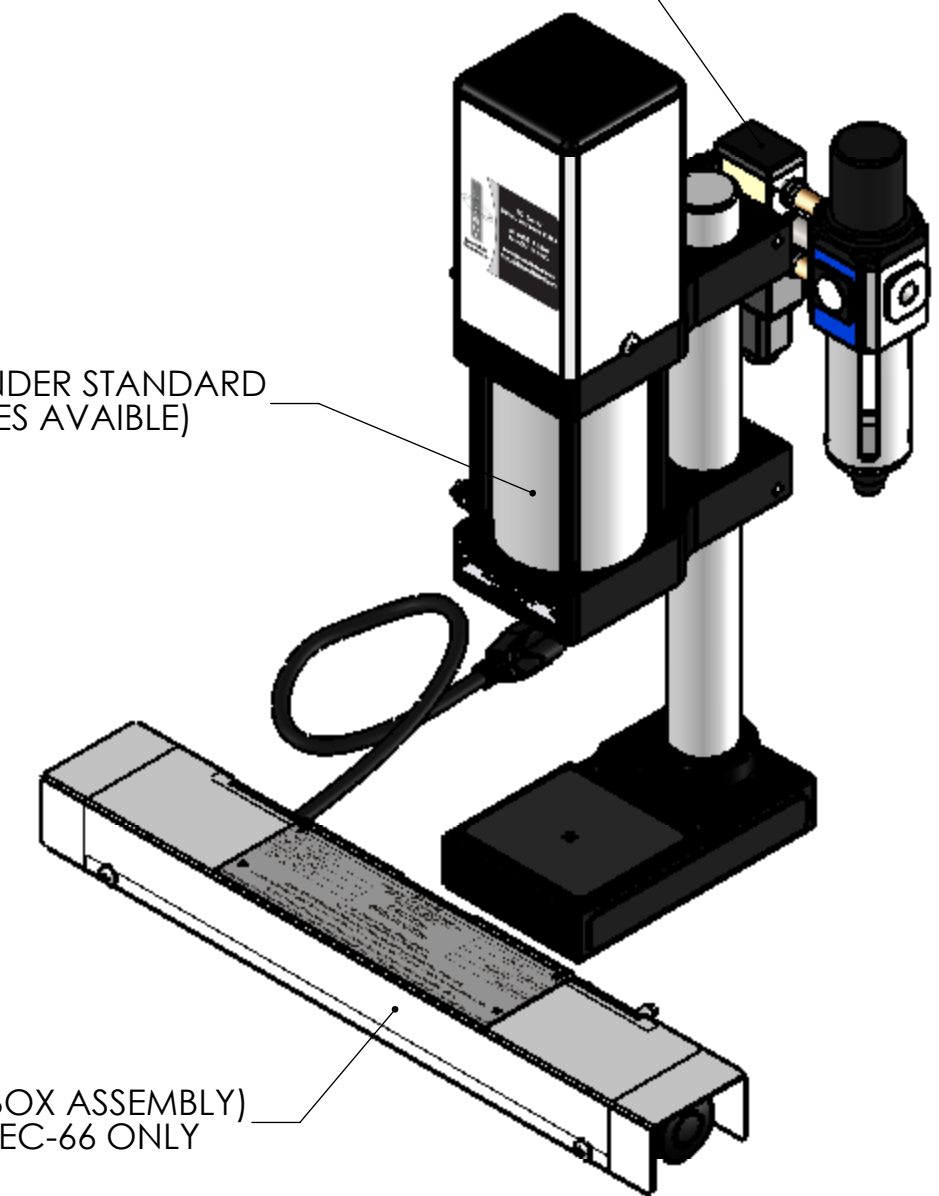
(2)

1/4" NPT INLET

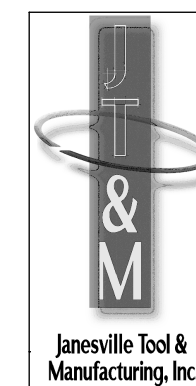
3 INCH STROKE CYLINDER STANDARD
(LONGER STROKES AVAILABLE)

EV-100 (VALVE AND REGULATOR ASSEMBLY)
STANDARD WITH EC-66 ONLY

EC-100 (CONTROL BOX ASSEMBLY)
STANDARD WITH EC-66 ONLY



MODEL #	A DIM.
E-66	3.00-6.00
EC-66	3.00-6.00



Janesville Tool & Manufacturing Inc.
3930 Enterprise Drive
Janesville, WI 53546
Phone: 608-314-1620, Fax 608-314-1625

TITLE:
ADJUSTABLE PNEUMATIC PRESS W/ CONTROLS

SIZE	DWG. NO.	REV
C	E SERIES	A

SCALE: 1:4 | WEIGHT: 43.81 | SHEET 2 OF 3

8

7

6

5

4

3

2

1