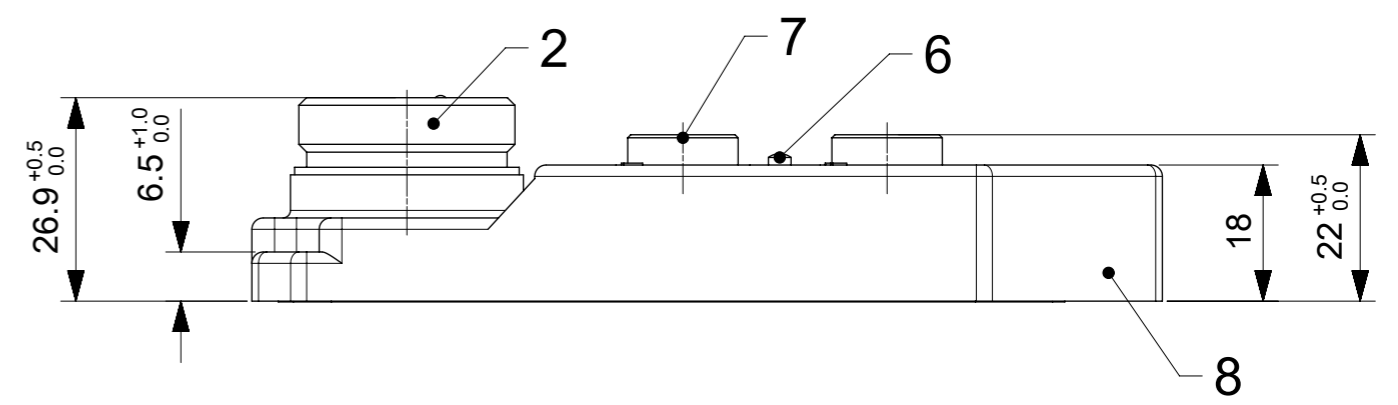
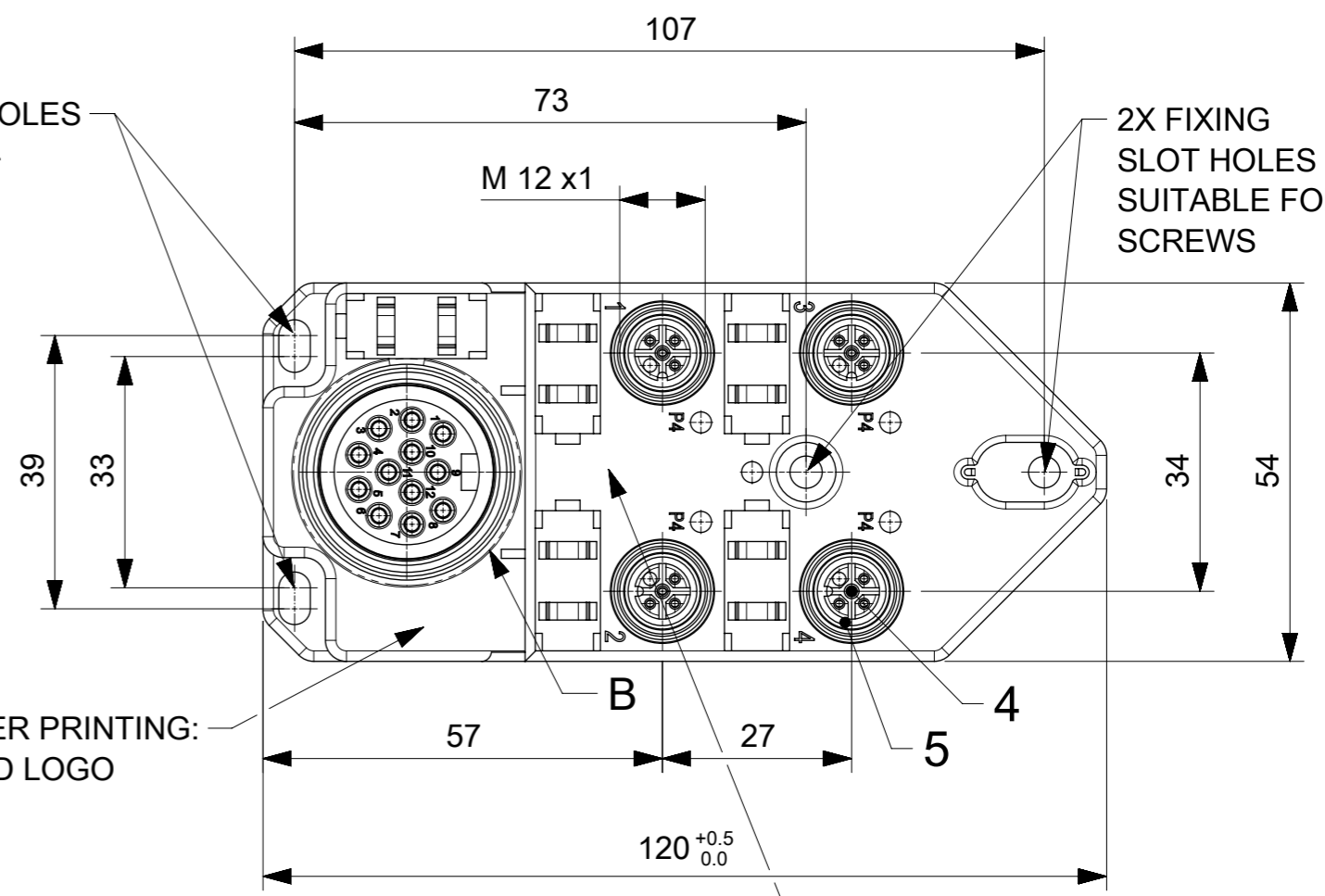
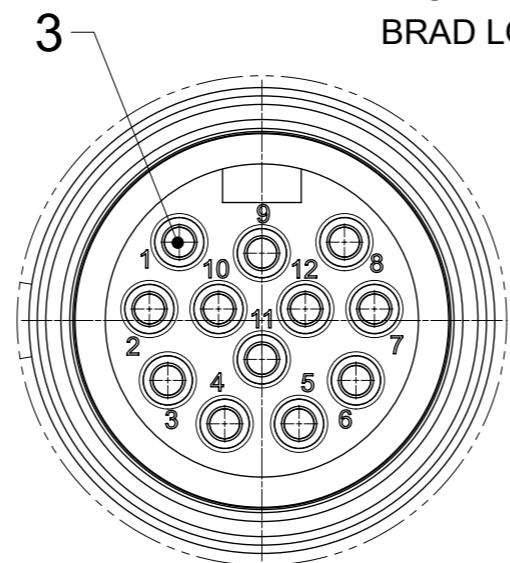
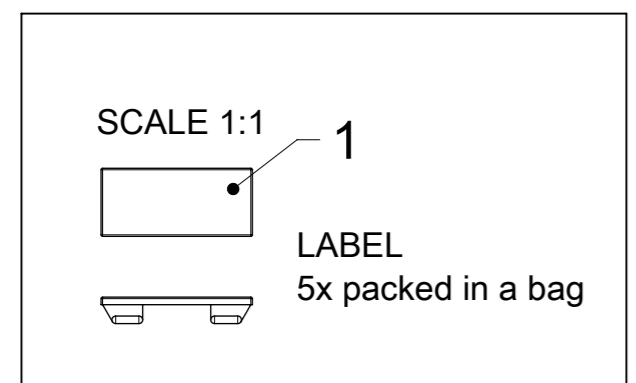


**TABLE 1**

MOLEX P/N	ENG. NO.	LED
1202480067	BTB4010-FBB	NO
1202480068	BTB401P-FBB	YES
1202480069	BTB401N-FBB	YES

**TABLE 2 BILL OF MATERIAL**

ITEM	DESCRIPTION	MATERIAL	FINISH
1	LABEL	ABS	WHITE
2	SHELL	BRASS	NICKEL PLATED
3	CONTACT	BRASS	GOLD OVER NICKEL
4	CONTACT	BRONZE	GOLD OVER NICKEL
5	O-RING	FPM	RED
6	LED	NO LED = PA	BLACK
		WITH LED = PA	TRANSPARENT
7	SHELL	BRASS	NICKEL PLATED
8	HOUSING	PBT	BLACK

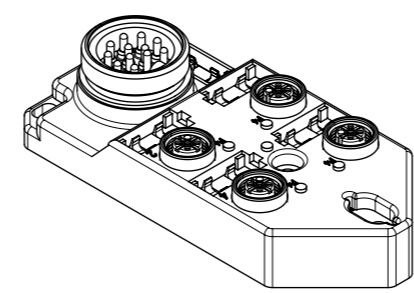


LASER PRINTING:  
 PN: 120248XXXX  
 ENG.: BTB401X-FBB  
 PO: XXXXXXXXXX

**GENERAL CHARACTERISTICS:**

ELECTRICAL AND MECHANICAL DATA ACC. TO IEC 61076-2-101

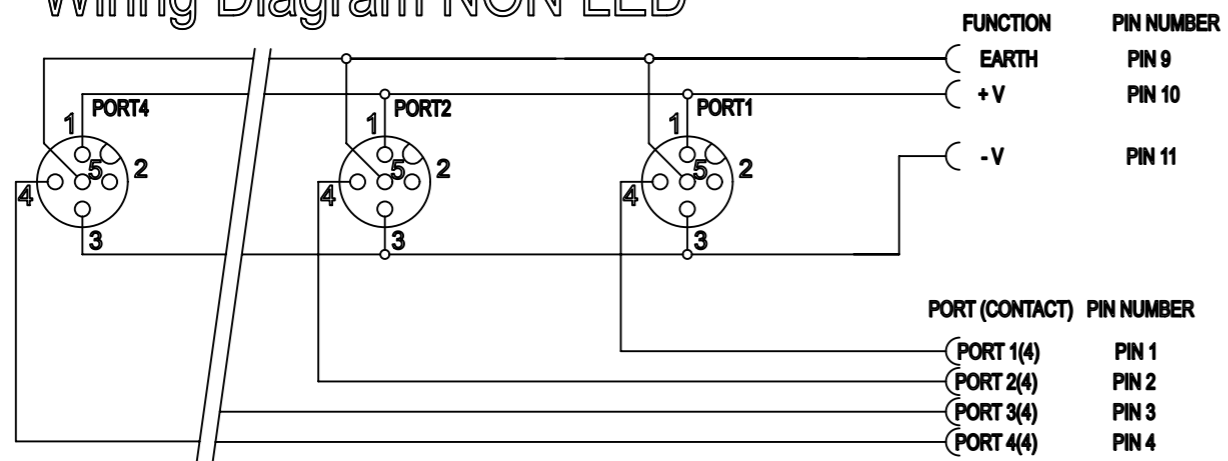
NOMINAL VOLTAGE: 10-30 V DC  
 AMPERE RATING: 4 A PER PORT / 12 A MAX  
 AMPERE RATING WITH UL REGISTRATION: 3 A PER PORT / 9 A MAX  
 IP DEGREE OF PROTECTION: IP 67  
 TEMPERATURE RANGE: -25°C to + 85°C



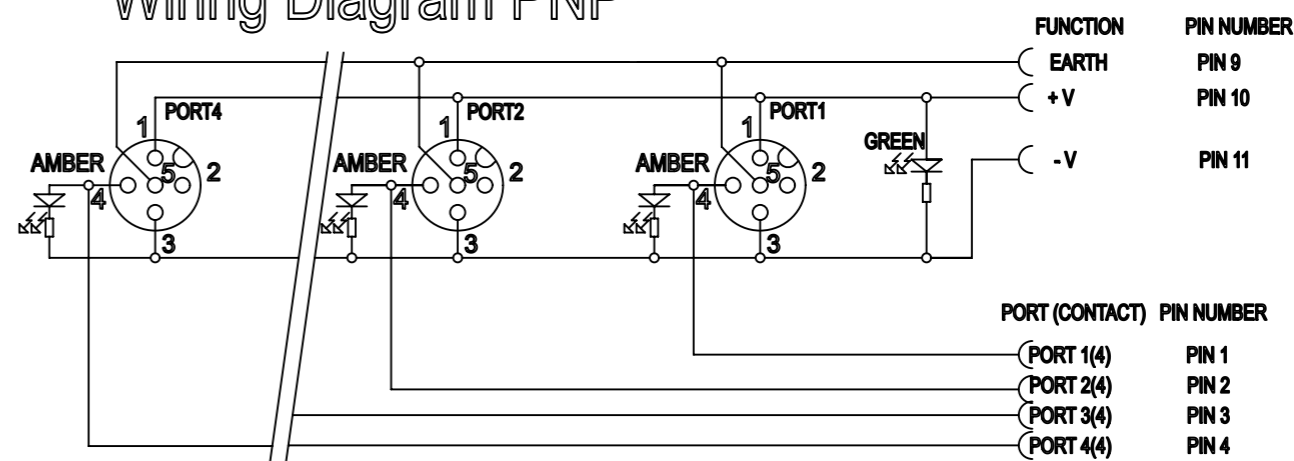
SCALE 1:2

SYMBOLS	DIMENSION UNITS	SCALE	THIS DRAWING CONTAINS INFORMATION THAT IS PROPRIETARY TO MOLEX ELECTRONIC TECHNOLOGIES, LLC AND SHOULD NOT BE USED WITHOUT WRITTEN PERMISSION		
▽ = 0	mm		CURRENT REV DESC: LASER PRINT UPDATE		
▽ = 0	GENERAL TOLERANCES (UNLESS SPECIFIED)		<b>molex</b> MPIS M12 PNP NPN NOS 4P 4PT 12P MC BK STA SINGLE		
▽ = 0	ANGULAR TOL ± °				
▽ = 0	4 PLACES ±		EC NO: 606042	2018/08/31	
▽ = 0	3 PLACES ±		DRWN: SSM	2018/10/18	
▽ = 0	2 PLACES ±		CHK'D: RSILLER	2018/10/18	
▽ = 0	1 PLACE ±		APPR: RSILLER	2018/10/18	
▽ = 0	0 PLACES ± 0.25		INITIAL REVISION:		
□ = 0	DRAFT WHERE APPLICABLE MUST REMAIN WITHIN DIMENSIONS		DRWN: AAHLERS	2015/04/07	
▽ = 0	THIRD ANGLE PROJECTION		APPR: RSILLER	2017/01/18	
			DRAWING	SERIES	MATERIAL NUMBER
			A3-SIZE	120248	SEE TABLE 1
			CUSTOMER	SHEET NUMBER	
			GENERAL MARKET	1 OF 2	

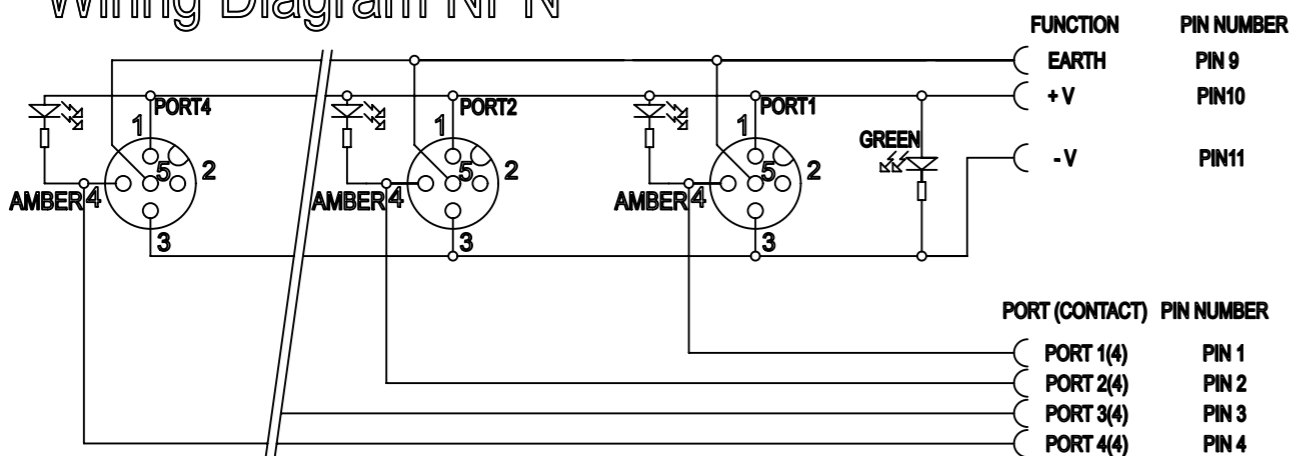
# Wiring Diagram NON LED



# Wiring Diagram PNP



# Wiring Diagram NPN



SYMBOLS	THIS DRAWING CONTAINS INFORMATION THAT IS PROPRIETARY TO MOLEX ELECTRONIC TECHNOLOGIES, LLC AND SHOULD NOT BE USED WITHOUT WRITTEN PERMISSION		CURRENT REV DESC: LASER PRINT UPDATE			<b>molex</b>			
	DIMENSION UNITS	SCALE							MPIS M12 PNP NPN NOS 4P 4PT 12P MC BK STA SINGLE
▽ = 0	mm		EC NO: 606042	2018/08/31	DOCUMENT NUMBER	DOC TYPE	DOC PART	REVISION	
▽ = 0	GENERAL TOLERANCES (UNLESS SPECIFIED)		DRWN: SSM	2018/10/18					
▽ = 0	ANGULAR TOL ± °		CHK'D: RSILLER	2018/10/18	PRODUCT CUSTOMER DRAWING				
▽ = 0	4 PLACES ±		APPR: RSILLER	2018/10/18	1202480067	PSD	000	B	
▽ = 0	3 PLACES ±		INITIAL REVISION:						
▽ = 0	2 PLACES ±		DRWN: AAHLERS	2015/04/07	MATERIAL NUMBER	CUSTOMER	SHEET NUMBER		
▽ = 0	1 PLACE ±		APPR: RSILLER	2017/01/18					
▽ = 0	0 PLACES ±	0.25	THIRD ANGLE PROJECTION		DRAWING	SERIES	MATERIAL NUMBER	CUSTOMER	SHEET NUMBER
■ = 0	DRAFT WHERE APPLICABLE MUST REMAIN WITHIN DIMENSIONS		A3-SIZE		120248	SEE TABLE 1	GENERAL MARKET	2 OF 2	