

# Easy-On FFC/FPC Connector, 0.50/1.00mm pitch, FD19 Series

Product 505110 / 200528

# molex

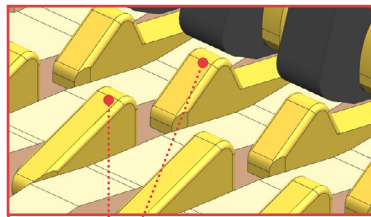
Versatile dual-contact FD19 Series FFC/FPC Connectors meet temperature requirements up to 150°C and come in a wide range of circuit sizes for maximum design flexibility across multiple markets and applications



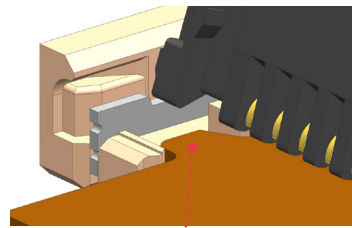
505110-\*\*\*\*  
(0.50mm pitch)

200528-\*\*\*\*  
(1.00mm pitch)

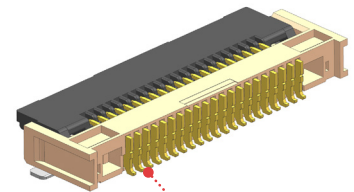
## Features and Advantages



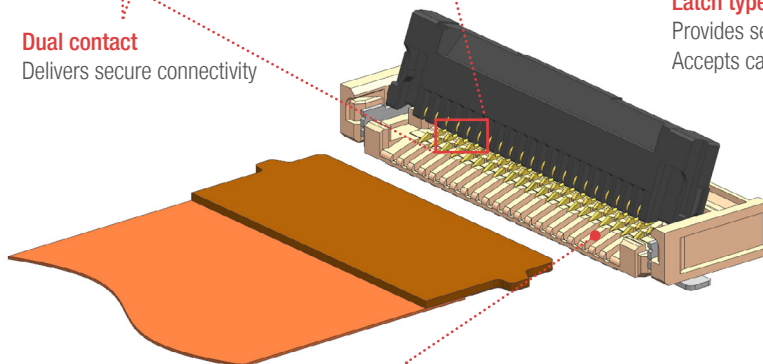
**Dual contact**  
Delivers secure connectivity



**Latch type FPC**  
Provides secure cable retention.  
Accepts cable with or without tabs

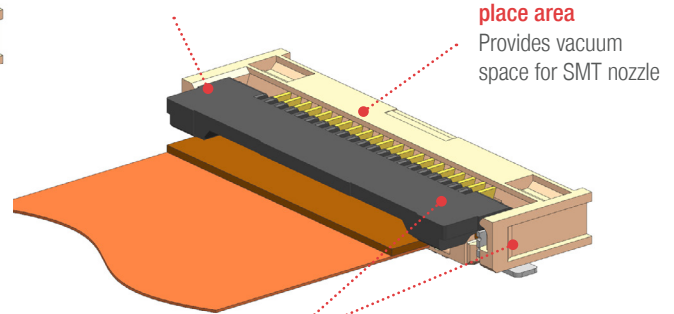


**Nickel barrier**  
Eliminates the concern for solder and flux wicking



**Wide frontage**  
Eases FFC/FPC insertion

**Lock with clear, audible click**  
Ensures proper mating



**Wide pick-and-place area**  
Provides vacuum space for SMT nozzle

**Low-Halogen material**  
Meets environmental considerations

## Applications

### Automotive

- Car navigation
- Instrument panels
- Car infotainment

### Home Appliance

- Flat panel TVs
- Refrigerators
- Vacuuuming machines

### Industrial

- UAV (drone)
- Robotics

### Consumer

- Game units
- VR/AR
- Printers



Car Infotainment



Home Appliance



UAV (Drone)

# Easy-On FFC/FPC Connector, 0.50/1.00mm pitch, FD19 Series

Product 505110 / 200528

## Specifications

### REFERENCE INFORMATION

Packaging: Embossed tape and reel  
 Use with: FFC/FPC  
 Designed in: Millimeters  
 RoHS: Yes  
 Halogen free: Low-Halogen

### ELECTRICAL

Voltage (max.): 50V  
 Current (max.): 0.5A per circuit  
 Contact Resistance (max.): 40 milliohms  
 Dielectric Withstanding Voltage: 125V AC  
 Insulation Resistance (min.): 50 Megohms

### MECHANICAL

FFC/FPC Thickness: 0.30mm  
 Durability (max.): 20 cycles

### PHYSICAL

Housing: LCP, UL 94V-0, Beige  
 Actuator: PA, UL 94V-0, Black  
 Plating:  
 Contact Area — Gold  
 Solder Tail Area — Gold  
 Underplating — Nickel  
 Operating Temperature: -40 to +105°C  
 or -40 to +150°C

### CIRCUIT SIZE (0.50MM PITCH)

4, 5, 6, 7, 8, 9, 10, 11, 12, 13, 14, 15, 16, 17, 18, 19, 20, 21, 22, 23, 24, 25, 26, 27, 28, 29, 30, 31, 32, 33, 34, 35, 36, 37, 38, 39, 40, 41, 42, 43, 44, 45, 46, 47, 48, 49, 50, 51, 52, 53, 54, 55, 56, 57, 58, 59, 60, 61, 64, 68, 70, 80

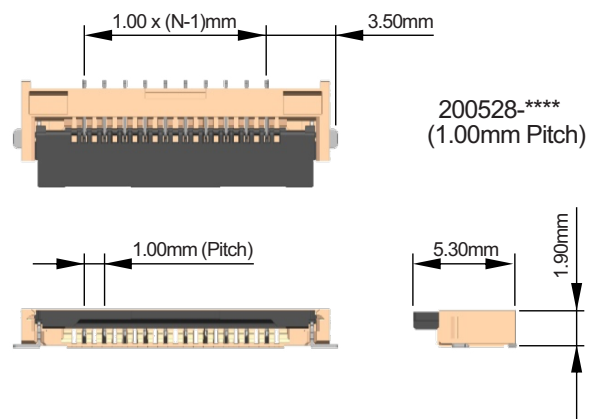
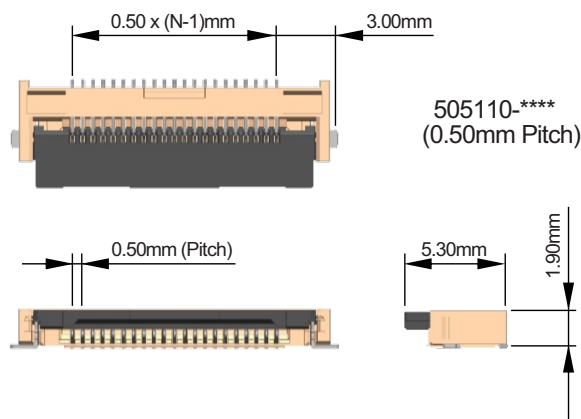
### CIRCUIT SIZE (1.00MM PITCH)

4 to 30

## Dimensions

Refer to molex.com for detail dimension

N = Circuit size



## Ordering Information

Series No.	Pitch (mm)	Orientation	Contact Position	Circuits	Operating Temperature	Plating
505110-**92	0.50	Right-Angle	Bottom	4 to 19	-40 to +105°C	Gold
505110-**91				20 to 80	-40 to +105°C	
505110-**97				4 to 19	-40 to +150°C	
505110-**96				20 to 80	-40 to +150°C	
200528-0**0	1.00			4 to 30	-40 to +105°C	
200528-0**1				4 to 30	-40 to +150°C	

Replace with \*\* for Circuit size.

[www.molex.com/link/easyon.html](http://www.molex.com/link/easyon.html)

Molex is a registered trademark of Molex, LLC in the United States of America and may be registered in other countries; all other trademarks listed herein belong to their respective owners.