



# LIGHTHAWK® DIMMING DUAL TECHNOLOGY WALL SWITCH SENSOR

## WALL SWITCH OCCUPANCY SENSORS

### FEATURES

- Digital Dual Technology Passive Infrared (PIR) and Ultrasonic (US) sensor
- IntelliDAPT® self-adaptive technology; no manual adjustment required
- Single circuit On/Off switching with 0-10V dimming control
- Occupancy (auto-ON) and Vacancy (manual-ON) operating modes
- 1,000 square-foot, 180° coverage area
- RhinoTuff™ vandal resistant lens
- 120/277VAC and 347VAC models
- Zero Arc Point Switching



### RELATED PRODUCTS

- [Occupancy Sensor Accessories](#)
- [LightHAWK Dual Tech](#)
- [LightHAWK Dimming PIR](#)
- [LightHAWK PIR](#)
- [LightHAWK US](#)
- [LightHAWK Night Light](#)

### SPECIFICATIONS

#### CONSTRUCTION

- Casing - high - Impact injection - molded plastic (UL-94-5V Impact-resistance lens)
- Color-coded leads are 6" (152.4mm) long
- Wrap around galvanized steel mounting strap
- 2.9 oz. (82.21g)
- White; Ivory; Light Almond; Gray; Black
- Quad-element pyrometer and 12-element cylindrical RhinoTuff lens

#### MOUNTING

- Single-gang NEMA-style switch box (standard switch box)
- Decorator-style wall plate sold separately

#### ELECTRICAL

- 0-10V, Sink up to 30mA
- Natural light override range: 10-500 foot-candles
- 120/277VAC; 50/60Hz
- 347VAC; 50/60Hz
- 120VAC: 0-1000W Ballast, E-Ballast, LED, Tungsten; Motor Rating: 1/8 HP
- 277VAC: 0-1200W Ballast, E-Ballast, LED; Motor Rating: 1/8 HP
- 347VAC: 0-1500W Ballast, LED; Motor Rating: None

#### OPERATIONS

- IntelliDAPT
  - Self-adjusting timer
  - Self-adjusting Ultrasonic (US) and passive infrared (PIR) sensitivity
  - Automatic false-on/ false-off corrections
  - No manual adjustments required
- Coverage
  - 1,000 square-foot, 180° coverage area

#### OPERATIONS (CONTINUED)

- Timer Settings
  - Auto mode: 4-20 minutes; self-adjusts based on occupancy
  - Fixed mode: 4, 8, 15, and 20 minutes
  - Test mode: 5 seconds

#### OPERATING ENVIRONMENT

- Indoor use only
- Operating temperature: 32° to 104°F (0° to 40°C)
- Relative humidity (non-condensing): 0% to 95%

#### CERTIFICATIONS

- UL and cUL listed
- This product qualifies as both (i) a "domestic construction material" per FAR §52.225-9 Buy American-Construction Materials and a "(COTS) item" per FAR §2.101 and (ii) a "designated country construction material" per FAR 52.225-11 Buy American-Construction Materials under Trade Agreements effective 5/27/2020. See [Buy American Solutions](#).
- This product qualifies as "designated country construction material" per FAR 52.225-11 Buy American-Construction Materials under Trade Agreements effective 5/27/2020. See [Buy American Solutions](#).

#### WARRANTY

- 5 year warranty
- See [HCS Standard Warranty](#) for additional information



# LIGHTHAWK® DIMMING DUAL TECHNOLOGY WALL SWITCH SENSOR

WALL SWITCH OCCUPANCY SENSORS

## ORDERING GUIDE

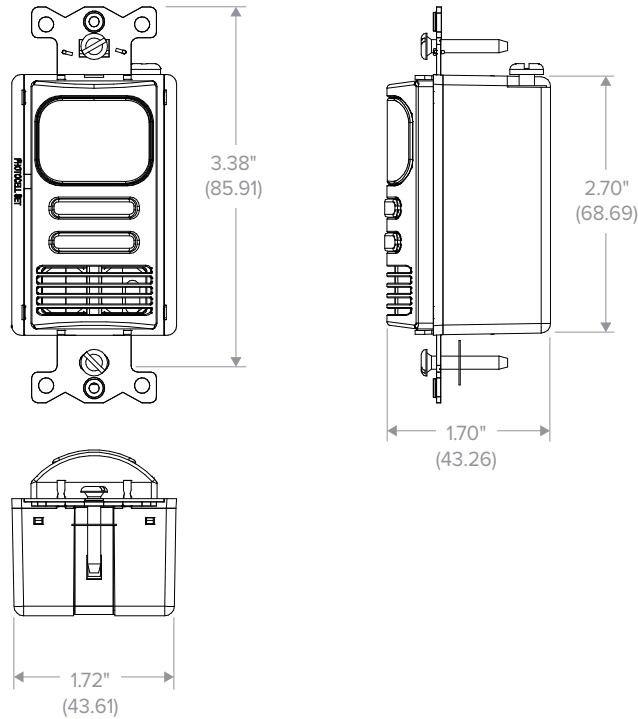
Example: LHDMMTS2-N-WH-M-U

CATALOG #

LHDMMTS	2				
Series	Buttons	Wiring	Color	Mode	BAA*
LHDMMTS LightHAWK® Dimming Dual Technology, Single Relay, 0-10V Dimming	2 2	N Neutral (120/277V) N347 Neutral (347V)	WH White IV Ivory LA Light Almond GY Gray BK Black	Blank Switchable Vacancy or Occupancy Mode M Vacancy Mode Only	Blank Standard Product U BAA T TAA

*Buy American Solutions	
BAA	TAA
FAR §52.225-9	FAR §52.225-11
LHDMMTS2-N-WH	

## DIMENSIONS



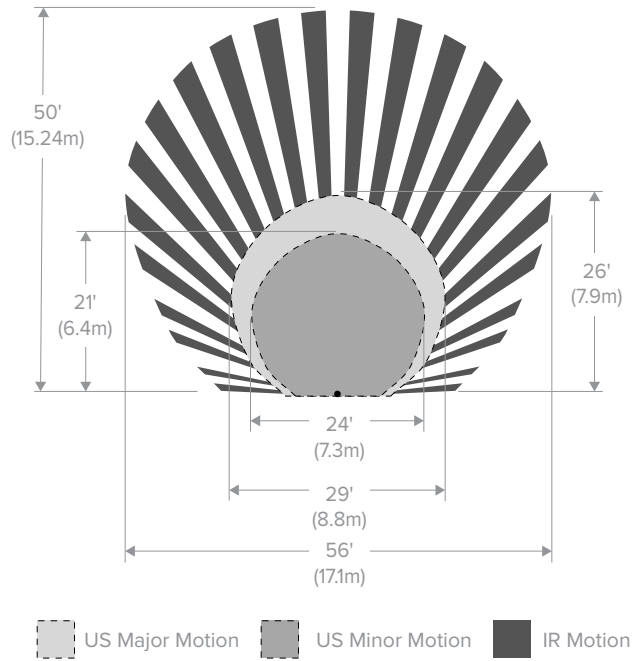


# LIGHTHAWK® DIMMING DUAL TECHNOLOGY WALL SWITCH SENSOR

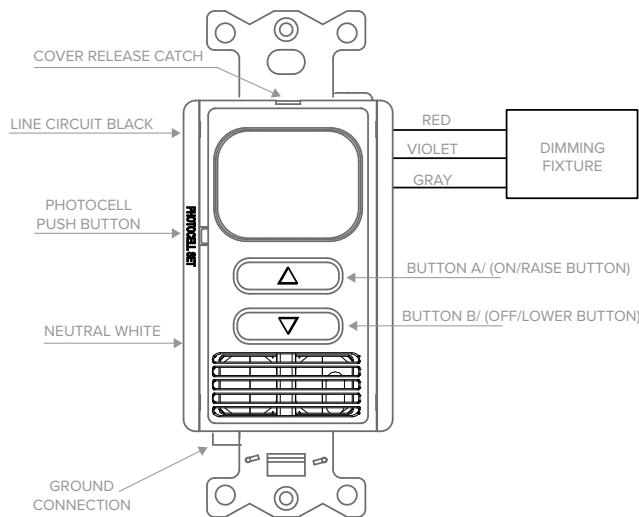
WALL SWITCH OCCUPANCY SENSORS

## ADDITIONAL INFORMATION

### Coverage Pattern



## WIRING DIAGRAMS



All product and company names, logos and product identifiers are trademarks™ or registered trademarks® of Hubbell Lighting, Inc. or their respective owners. Use of them does not necessarily imply any affiliation with or endorsement by such respective owners.