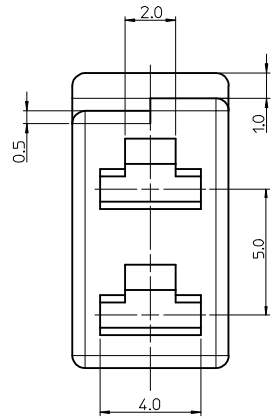
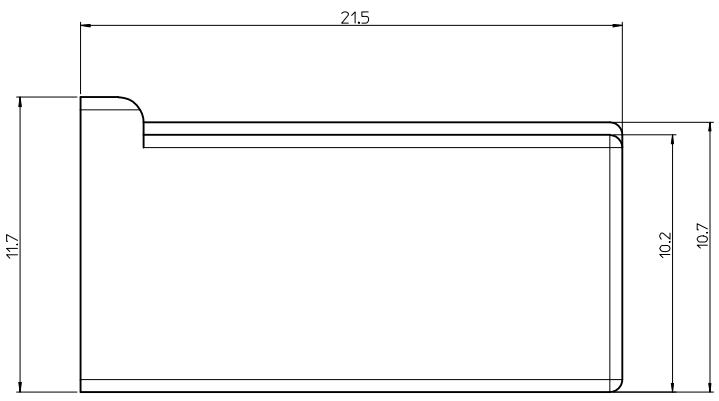
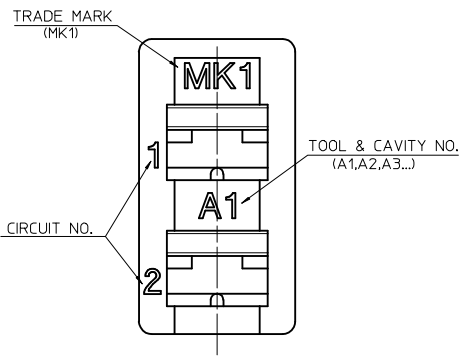
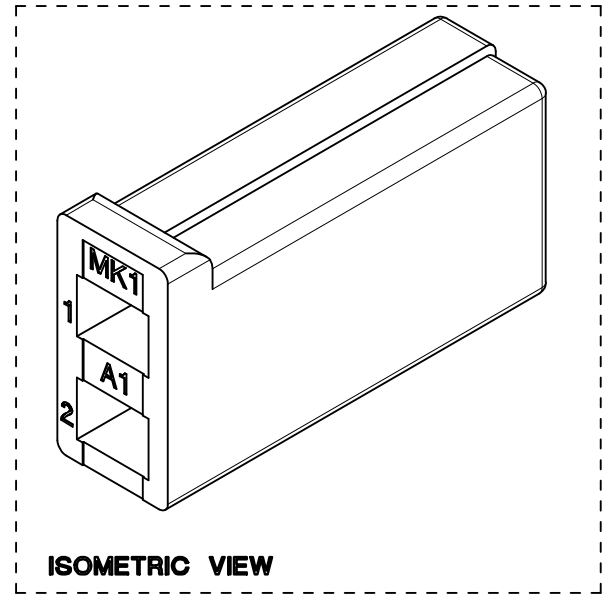
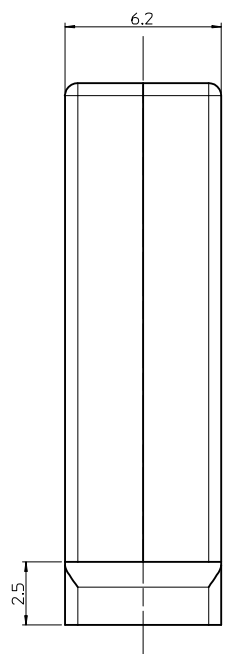


10 9 8 7 6 5 4 3 2 1



- NOTES.
1. MATERIALS: POLYAMIDE66 (PA66), UNFILLED, COLOR OF WHITE, UL94V-0
 2. PRODUCT SPECIFICATION: PS-36112-001
 3. PACKAGING SPECIFICATION: PK-35112-001
 4. APPLICABLE TERMINAL: 35711-06*0

REVISED EC NO: KOR2013-0085 DRWN:SKCHO 2013/04/15 CHKD:SHCHU 2013/04/15 APPR:YSK1M02 2013/04/25 A1	DESCRIPTION QUALITY SYMBOLS ▽=0 ◻=0	GENERAL TOLERANCES (UNLESS SPECIFIED)		DIMENSION STYLE MM ONLY	SCALE 5:1	DESIGN UNITS METRIC	THIRD ANGLE PROJECTION		
		4 PLACES ± --- ± ---	3 PLACES ± --- ± ---	DRAWN BY JS.KANG	DATE 1993/11/08	TITLE DOOR SWITCH CONN. -2P HOUSING			
		2 PLACES ± 0.15 ± ---	1 PLACE ± 0.20 ± ---	CHECKED BY BK.CH01	DATE 1993/11/08				
		0 PLACE ± --- ± ---	ANGULAR ± 1 °	APPROVED BY YSK1M02	DATE 2013/04/25	MATERIAL NO. 351120210			
DRAFT WHERE APPLICABLE MUST REMAIN WITHIN DIMENSIONS		SIZE A3	THIS DRAWING CONTAINS INFORMATION THAT IS PROPRIETARY TO MOLEX INCORPORATED AND SHOULD NOT BE USED WITHOUT WRITTEN PERMISSION				DOCUMENT NO. SD-35112-001	SHEET NO. 1 OF 1	

9 8 7 6 5 4 3 2 1