



- 1
- 2
- 3
- 4
- 5
- 6
- 7
- 8
- 9
- 10
- 11
- 12
- 13
- 14
- 15
- 16
- 17
- 18

BASE

Glass-fibre reinforced polyamide based (PA) technopolymer, black colour, matte finish.

ARTICULATED STEM AND BUILT-IN REGULATION KNOB

Threaded zinc-plated steel stem. Regulation knob in technopolymer type ELK.

Black-oxide steel washer and retaining screw (M4x10).

STANDARD EXECUTIONS

- **LV.A-ELK:** without no-slip disk.
- **LV.A-AS-ELK:** with NBR rubber no-slip disk, hardness 70 Shore A, supplied assembled to the base.

FEATURES

The special knurling under the lower lip of the base provides excellent stability and grip when using the levelling element without no-slip disk even on surfaces that are not perfectly flat.

The particular assembling system of the no-slip disk to the base assures a perfect anchoring, preventing separation even in case of impact during transport or of adhesion (sticking) to the floor (see No-slip disks on page 835).

ELK: built-in regulation knob enables the operator to adjust manually the stem without the use of tools.

The components of the levelling elements (base and stem) are supplied already unassembled.

NOTE

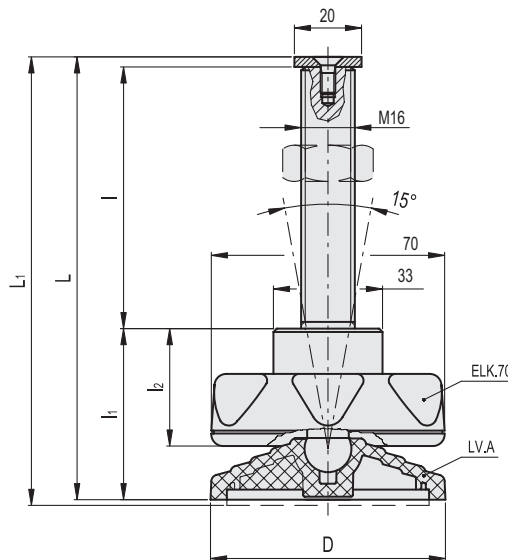
The threaded stem with built-in knob SM-14-M16x78-ELK (code 302581) can be assembled on other bases with hole for articulation with diameter 14. See table codes Bases (on page 838).

ACCESSORIES ON REQUEST

Zinc-plated steel nut (see Nuts NT. on page 835).



ELESA Original design



Conversion Table	
1 mm = 0,039 inch	
D	
mm	inch
70	2.76
80	3.15

LV.A-ELK

LV.A-AS-ELK



Code	Description	Code	Description	D	L	L1#	I	I1	I2	Articulation Ø	Max. limit static load* [N]	⚖️	#
304118	LV.A-70-14-M16x78-ELK	308118	LV.A-70-14-AS-M16x78-ELK	70	132	135	78	51	35	14	14000	332	352
304581	LV.A-80-14-M16x78-ELK	308581	LV.A-80-14-AS-M16x78-ELK	80	137	140	78	56	35	14	14000	330	356

* The max static load is the value above which the load applied to the element may cause some plastic material breakage, in particular conditions of use. Obviously, a factor that takes into consideration the importance and the safety level of the specific application must be applied to this value.

Data with no-slip disk mounted.