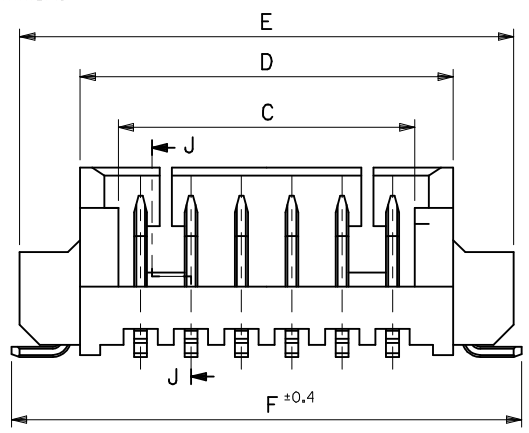
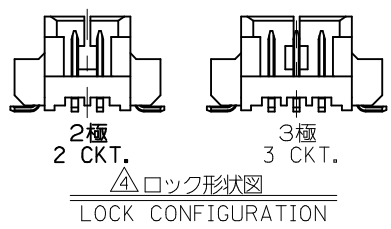
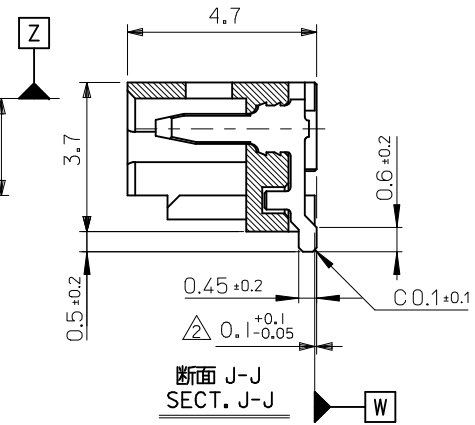
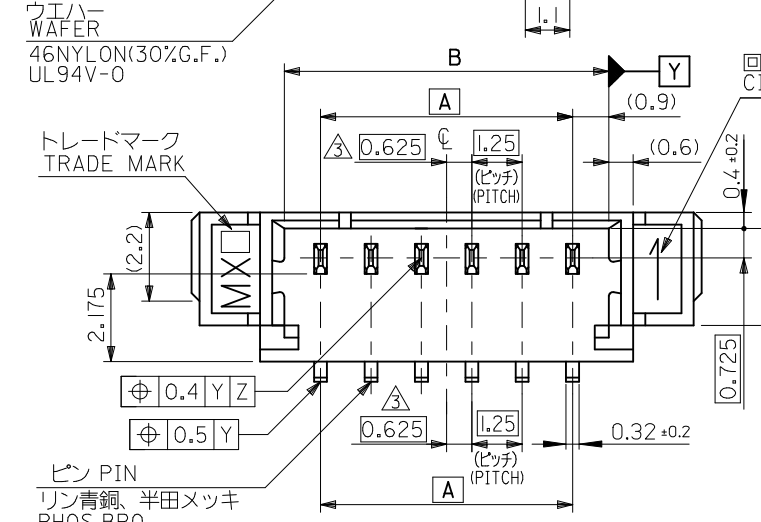
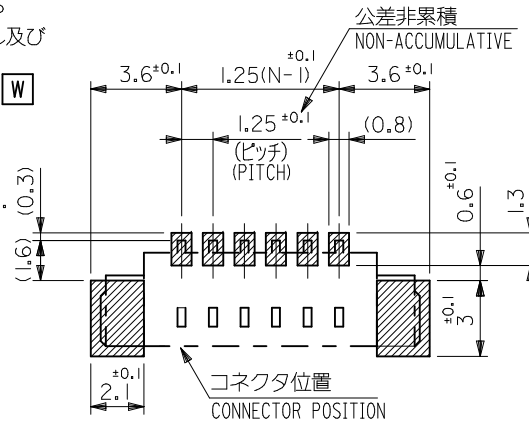


注記 NOTES

1. 嵌合相手 : 51021 シリーズ MATE WITH : 51021 SERIES
- △ 水平面上においての、ウェハー底面 **W** とソルダーテール及びフィッティングネイル底面とのズレ量を示す。
MISALIGNMENT OF SOLDER TAIL & FITTING NAIL FROM **W**
- △ 偶数極にのみ適用。APPLY EVEN CIRCUIT PRODUCTS.
- △ ロック窓は、2、3極は1ヶ所、4極以上は2ヶ所とする。
LOCKING WINDOW : ONE PLACE FOR 2&3 CKTS.
TWO PLACES FOR MORE THAN 4 CKTS.



23.9	23.5	20.5	18.6	19.3	17.5	53398-1510	15
22.65	22.25	19.25	17.35	18.05	16.25	↑ -1410	14
21.4	21	18	16.1	16.8	15	-1310	13
20.15	19.75	16.75	14.85	15.55	13.75	-1210	12
17.65	17.25	14.25	12.35	13.05	11.25	↓ -1010	10
16.4	16	13	11.1	11.8	10	-0910	9
11.4	11	8	6.1	6.8	5	53398-0510	5
F	E	D	C	B	A	ENG. NO.	極数 NO. OF CKTS.

REVISED EC NO: J2016-0718 DRWN:SSHIWONISHI 2016/02/05 CHKD:KOMURAKAMI 2016/02/05 APPR:TKANEKO 2016/02/16	GENERAL TOLERANCES (UNLESS SPECIFIED)		DIMENSION STYLE MM ONLY		SCALE ---	DESIGN UNITS METRIC	THIRD ANGLE PROJECTION
	0.25 UNDER	UNDER	±0.03	DRAWN BY KTOJO	DATE 1992/10/12	TITLE 1.25 WIRE TO BOARD CONN. WAFER ASS'Y FOR SMT (ST.)	
	0.25 OVER	0.5 UNDER	±0.05	CHECKED BY TYAMAGUCHI	DATE 2000/03/30		
	0.5 OVER	1.0 UNDER	±0.1	APPROVED BY TKANEKO	DATE 2016/02/16		
1.0 OVER	10 UNDER	±0.2	MATERIAL NO.	DOCUMENT NO.	SEE CHART	SD-53398-051	SHEET NO. 1 OF 1
10 OVER	30 UNDER	±0.25	DRAFT WHERE APPLICABLE MUST REMAIN WITHIN DIMENSIONS		THIS DRAWING CONTAINS INFORMATION THAT IS PROPRIETARY TO MOLEX ELECTRONIC TECHNOLOGIES, LLC AND SHOULD NOT BE USED WITHOUT WRITTEN PERMISSION		
30 OVER		±0.3	SIZE A3				