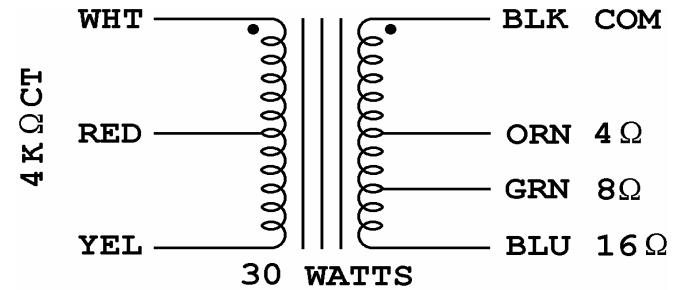
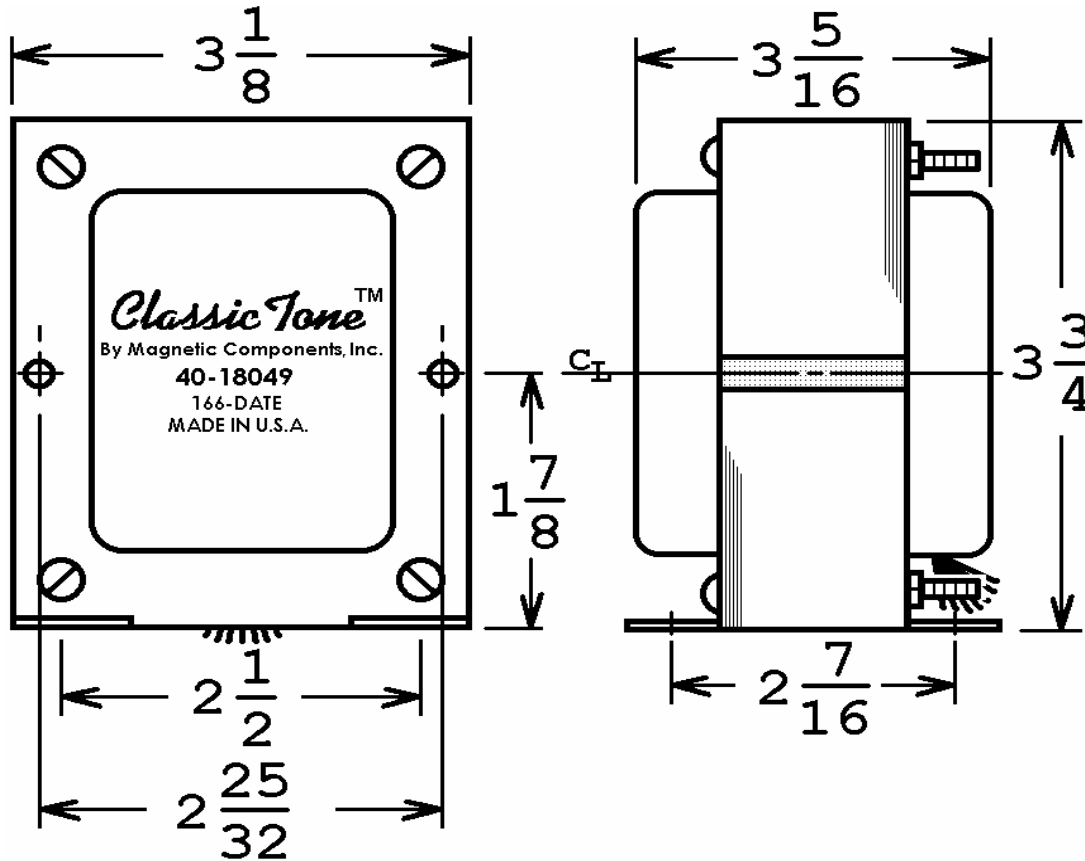


40-18049

This drawing is the property of Magnetic Components, Inc. and shall not be reproduced, in whole or in part, without the written permission of Magnetic Components, Inc.

REVISIONS		DATE	APPROVED
LTR	DESCRIPTION		
A	ADD TWO-HOLE MOUNTING.	12/06/11	M. Sacketti



NOTE: RIGHT SIDE END BELL IS REMOVABLE FOR LAY-DOWN STYLE MOUNTING WITH #8-32 SCREWS ON 2.5 X 3.125 MOUNTING CENTERS. SCREWS CAN ALSO BE USED FOR TWO-HOLE MOUNTING IN CENTER HOLES.

UNLESS OTHERWISE SPECIFIED		SIGNATURES		DATE		MAGNETIC COMPONENTS, INC.		DIV :					
ALL DIMENSIONS IN INCHES DO NOT SCALE DRAWING		DRAWN : <i>M.S.</i>		05 NOV 10		TITLE		LOC : SCHILLER PK					
FRACTIONS +/-		CHECK :				<h1>VOX AC30 OUTPUT</h1>							
.X = +/-		APPR : <i>M. Sacketti</i>		05 NOV 10						CAGE	50508	SIZE	PART No.
.XX = +/-										SCALE	NONE	A	40-18049
.XXX = +/-												REV	A
ANGLES = +/-												SHEET :	