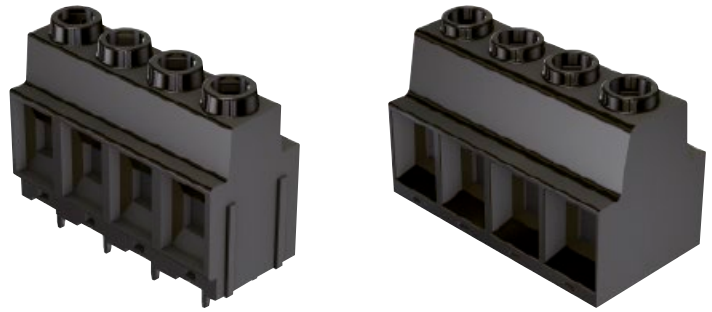


PCB terminal blocks,  
horizontal with screw termination  
10 mm<sup>2</sup> / 25 mm<sup>2</sup>  
for reflow soldering  
pitch 10.16 / 15.00 mm



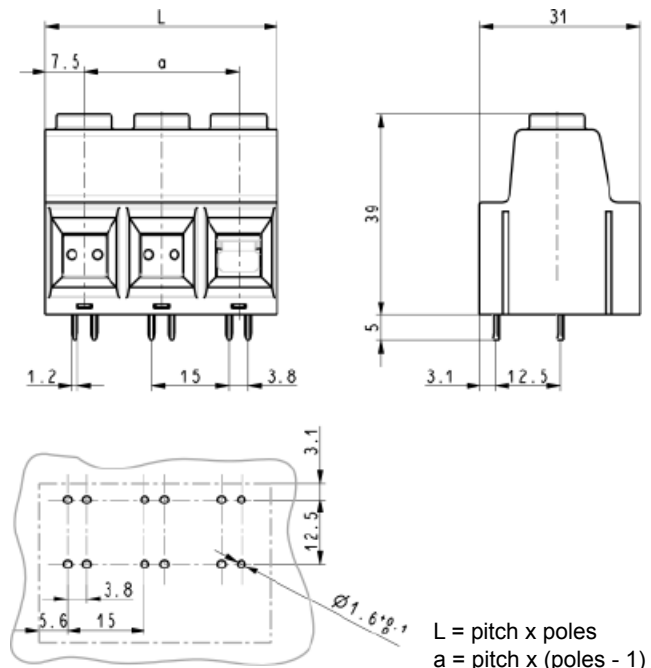
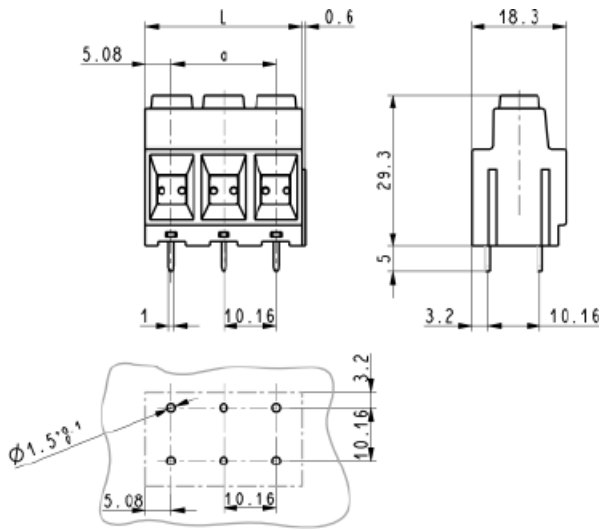
Drawing

Dimensions in mm

Dimensions

Pitch 10.16 mm

Pitch 15.00 mm



L = pitch x poles  
a = pitch x (poles - 1)

L = pitch x poles  
a = pitch x (poles - 1)

## Technical characteristics

### Technical data

Rated current 60 / 135 A  
Pitch 10.16 / 15.00 mm

Surge voltage category /  
pollution degree

III/3	III/2	II/2
1 kV	1 kV	1 kV
8 kV	8 kV	8 kV

Rated voltage

Rated surge voltage

### Material data

Group of insulation material I  
Type of insulation material PA / PPA  
Flammability rating per UL 94 V0  
Operating temperature -40 °C ... +110 °C  
Contact material copper alloy  
Contact plating tin plated  
UL approval (E 102079)



### Conductor and solder pin data

Connection technology wire screw termination  
Conductor size  
solid / stranded 0.5 - 16 / 0.5 - 10 mm<sup>2</sup>  
stranded with ferrules without / with plastic sleeve 0.5 - 6 / 0.5 - 6 mm<sup>2</sup>  
Conductor size AWG 20 - 6  
Screw thread M4  
Tightening torque 1.2 - 1.5 Nm  
Stripping length 11 mm  
Solder pin: drilled hole diameter min. 1.5 mm

Pitch 10.16 mm

screw termination

0.5 - 16 / 0.5 - 10 mm<sup>2</sup>

0.5 - 6 / 0.5 - 6 mm<sup>2</sup>

20 - 6

M4

1.2 - 1.5 Nm

11 mm

min. 1.5 mm

Pitch 15.00 mm

screw termination

0.5 - 35 / 0.5 - 25 mm<sup>2</sup>

0.5 - 16 / 0.5 - 16 mm<sup>2</sup>

20 - 1

M5

2.1 - 2.5 Nm

18 mm

min. 1.6 mm