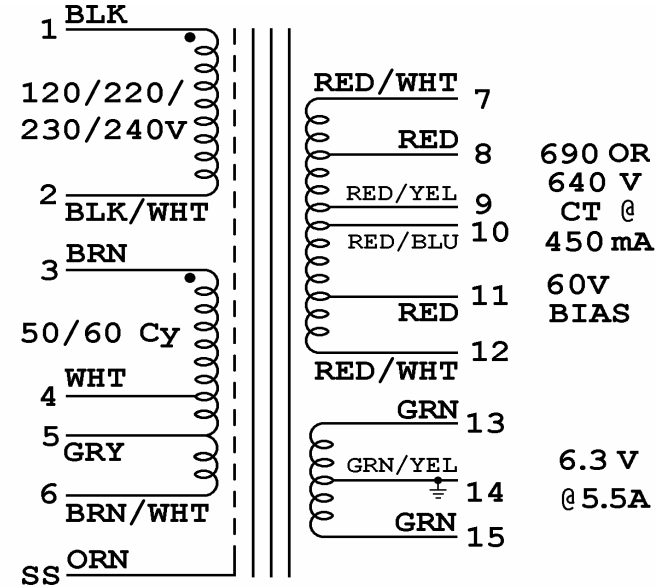
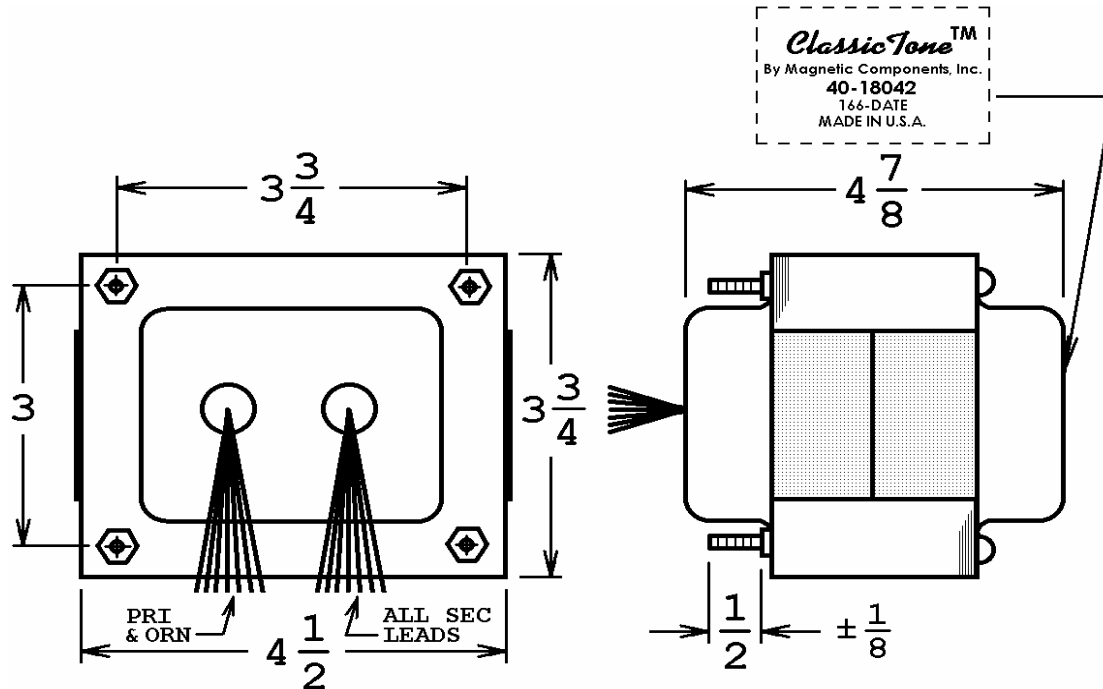


This drawing is the property of Magnetic Components, Inc. and shall not be reproduced, in whole or in part, without the written permission of Magnetic Components, Inc.

REVISIONS			
LTR	DESCRIPTION	DATE	APPROVED
A	ADD MOUNTING HARDWARE NOTE	10/27/11	M. Sacketti



RED/WHT-RED/YEL-RED/WHT = 345V-0-345V (690V CT)
 RED-RED/YEL-RED = 320V-0-320V (640V CT)
 RED/YEL-RED/BLU = 60V BIAS
 CONNECT ORN LEAD TO CHASSIS GROUND.
 NOTE : GRN/YEL LEAD IS INTERNALLY GROUNDED
 TO TRANSFORMER CORE.

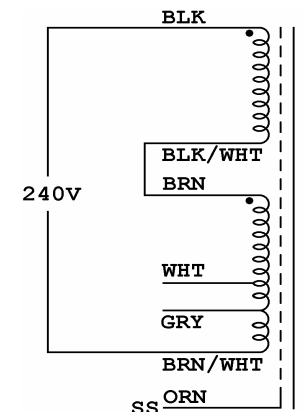
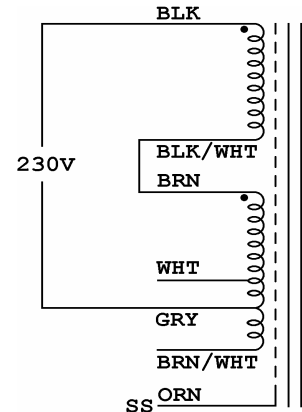
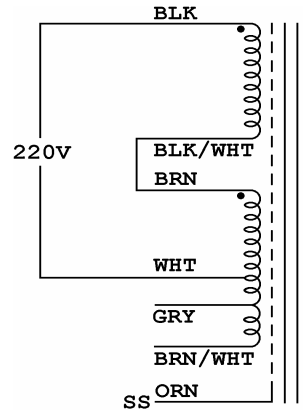
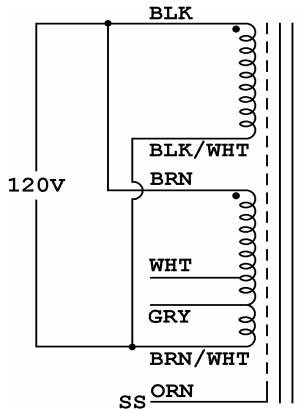
SEE SHEET 2 FOR PRIMARY WIRING DIAGRAMS

USE FOUR # 8-32 HEX NUTS (NOT SUPPLIED)
 FOR CHASSIS MOUNTING. PLEASE DO
 NOT REMOVE EXISTING HEX NUTS.

UNLESS OTHERWISE SPECIFIED		SIGNATURES		DATE		MAGNETIC COMPONENTS, INC.		DIV :	
ALL DIMENSIONS IN INCHES DO NOT SCALE DRAWING		DRAWN : <i>M. Sacketti</i>		25 APR 11		TITLE		LOC : SCHILLER PK	
FRACTIONS +/-		CHECK :				100W POWER TRANSFORMER			
.X = +/-		APPR : <i>M. Sacketti</i>		25 APR 11		CAGE	SIZE	PART No.	REV
.XX = +/-						50508	A	40-18042	A
.XXX = +/-						SCALE			
ANGLES = +/-						NONE			SHEET : 1 OF 2

This drawing is the property of Magnetic Components, Inc. and shall not be reproduced, in whole or in part, without the written permission of Magnetic Components, Inc.

REVISIONS			
LTR	DESCRIPTION	DATE	APPROVED



UNLESS OTHERWISE SPECIFIED ALL DIMENSIONS IN INCHES DO NOT SCALE DRAWING FRACTIONS +/- .X = +/- .XX = +/- .XXX = +/- ANGLES = +/-	SIGNATURES		DATE	MAGNETIC COMPONENTS, INC.		DIV : LOC : SCHILLER PK	
	DRAWN : <i>MJF</i>		25 APR 11	TITLE PRIMARY WIRING DIAGRAMS			
	CHECK :						
	APPR : <i>M. Laketa</i>		25 APR 11	CAGE	50508	SIZE	PART No.
			SCALE	NONE	A	40-18042	A
						SHEET : 2 OF 2	