

E222871

UL Approved Illuminated Pushbutton

## Specifications

Electrical Ratings	Evaluated to UL 61058-1 1/2 hp @ 125VAC/250VAC; T120 10.1A @ 277VAC resistive; T120 10.1A @ 125VAC inductive; T120 Evaluated to UL 1054 16A @ 125VAC/250VAC resistive; T120 6A @ 125VAC/250VAC general purpose; T120 5A @ 125VAC inductive; T120	Contact Resistance	≤ 20mΩ initial
Electrical Life		100,000 cycles average	Actuation Force
		Actuation Travel	3.2 ± .25mm
		Dielectric Strength	2,000Vrms min @ sea level contact to contact 2,000Vrms min @ sea level to LED
		Insulation Resistance	≥ 1,000MΩ min @ 500VDC
		Sealing Degree	IP67
		Operating Temperature	-40°C to 85°C
		Storage Temperature	-40°C to 85°C

## Materials

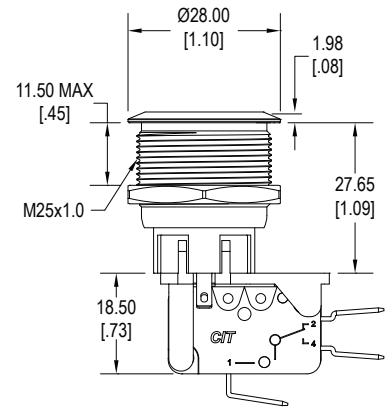
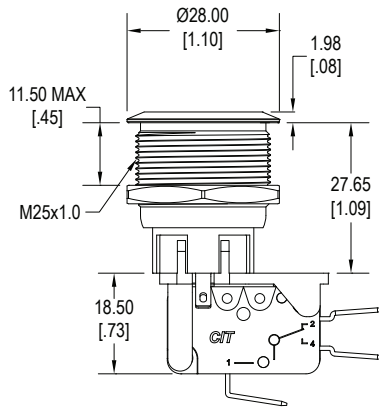
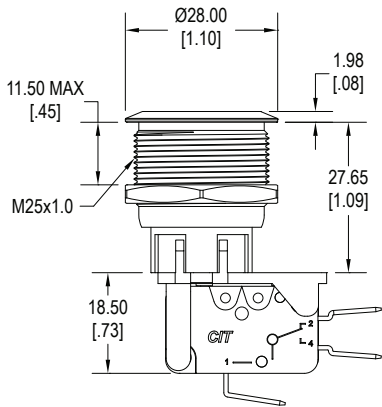
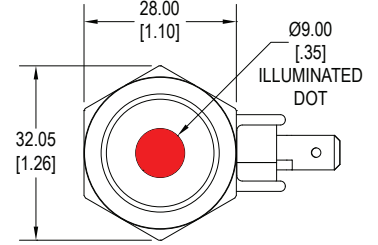
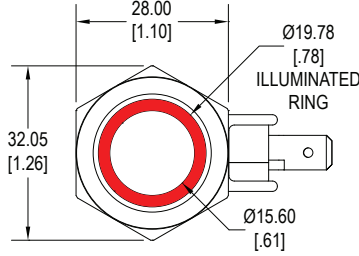
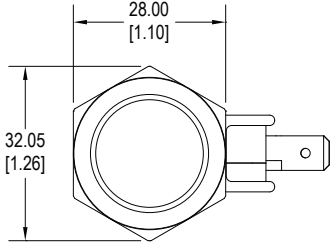
Actuator	Stainless Steel, Anodized Aluminum
LED Lens	Polycarbonate (PC)
Threaded Housing	Stainless Steel, Anodized Aluminum
Terminal Support	Polybutylene Terephthalate (PBT)
Snap Action Switch Base / Cover	Polybutylene Terephthalate (PBT), UL94-V0
Snap Action Switch Pin Plunger	Polybutylene Terephthalate (PBT), UL94-V0
Snap Action Switch Contacts	Silver Alloy
Snap Action Switch Terminals	Silver plated Copper Alloy
Snap Action Switch Support Frame	POM
Hardware	One Hex Nut & one "O" Ring supplied

Combining the LED illumination and metal body of the DH Series switch with the UL recognized switching capability of the VM3 Series snap-action switch.

## Ordering Information

1. Series	DHU25	1	N	B	S	R	12	B
DHU25 DHU30								
2. Number of Poles 1 = SPDT								
3. Bezel Style Blank = Standard Bezel H = Straight Bezel								
4. Latching Option N = Momentary L = Latching								
5. Actuator Style: A = Flush actuator, non-illuminated B = Flush actuator, ring illuminated C = Flush actuator, dot illuminated G = Flush actuator, Int'l standby symbol illuminated <small>only available with DHU25</small> MR = Mushroom actuator, red anodized aluminum <small>only available with DHU25 momentary</small>								
6. Switch Finish S = Brushed Stainless Steel B = Black Anodized Aluminum G = Green Anodized Aluminum R = Red Anodized Aluminum U = Blue Anodized Aluminum Y = Yellow Anodized Aluminum								
7. First LED Color X = No LED R = Red Y = Yellow G = Green B = Blue W = White O = Orange	RO = Red / Orange dual LED RY = Red / Yellow dual LED RG = Red / Green dual LED RB = Red / Blue dual LED OY = Orange / Yellow dual LED OG = Orange / Green dual LED OB = Orange / Blue dual LED YG = Yellow / Green dual LED YB = Yellow / Blue dual LED GB = Green / Blue dual LED							
								* Contact Factory for other LED options
8. LED Voltage Z = No LED 6 = 6V 12 = 12V N = No internal resistor in series with the LED	24 = 24V 110 = 110V 220 = 220V							
10. Terminal Option A = .187" Quick Connect Switch Terminals and .110" Quick Connect LED Terminals B = .250" Quick Connect Switch Terminals and .110" Quick Connect LED Terminals								

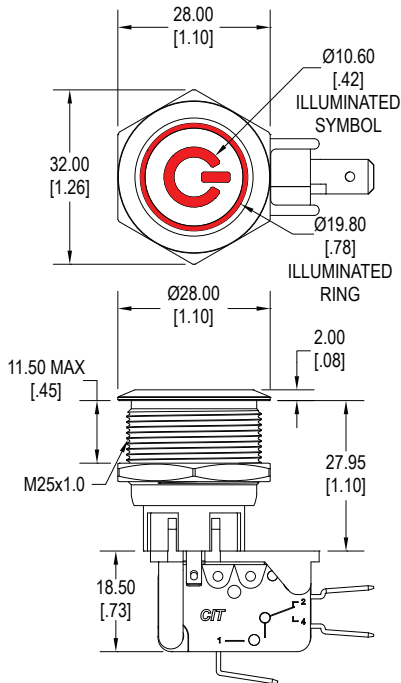
**Dimensions - 25mm, Momentary**



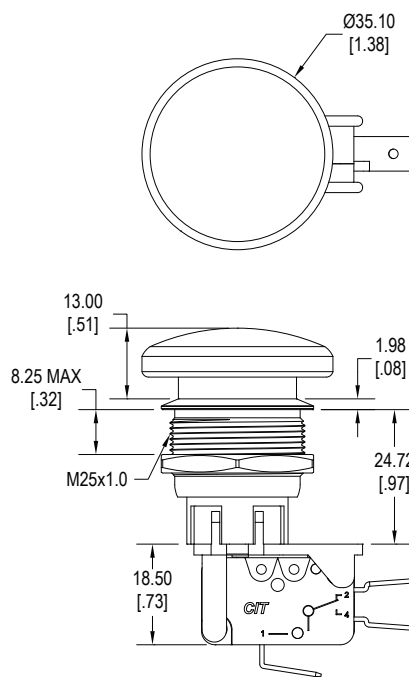
**A - Flush, Non-Illuminated**

**B - Flush, Ring Illuminated**

**C - Flush, Dot Illuminated**

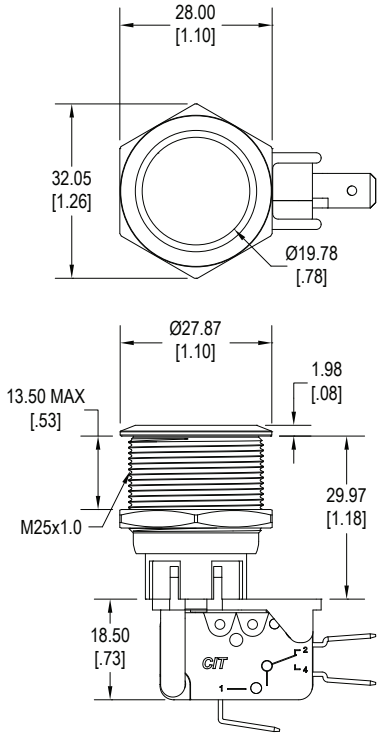


**G - Flush, In'tl Standby Symbol**

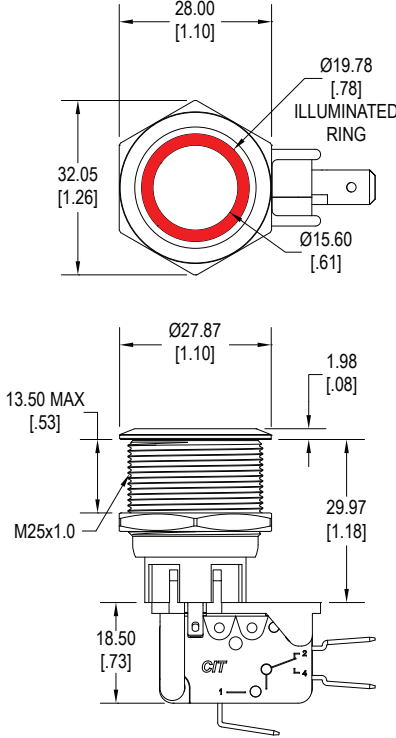


**MR - Mushroom Actuator**

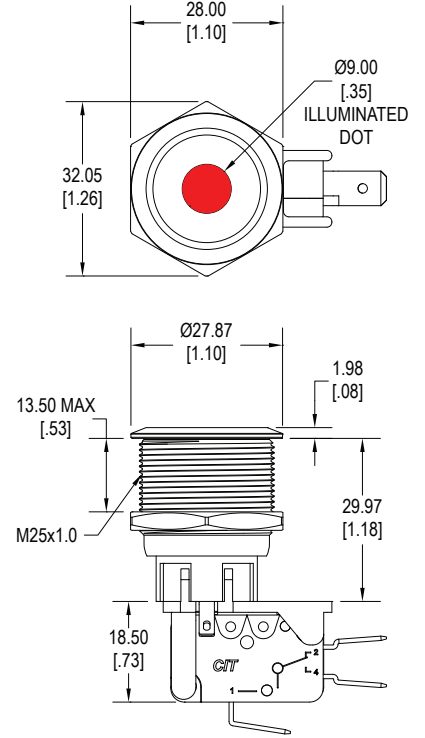
**Dimensions - 25mm, Latching**



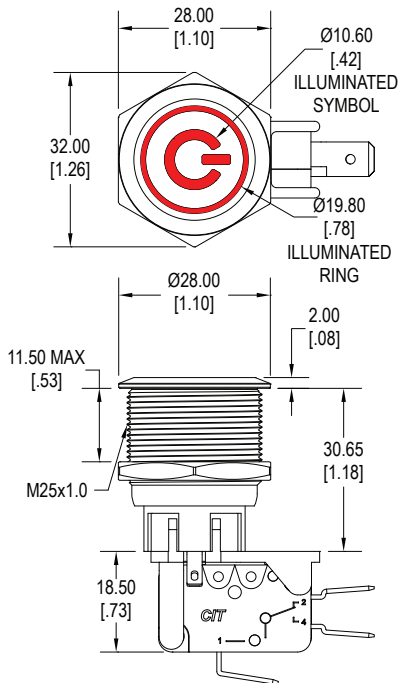
**A - Flush, Non-Illuminated**



**B - Flush, Ring Illuminated**

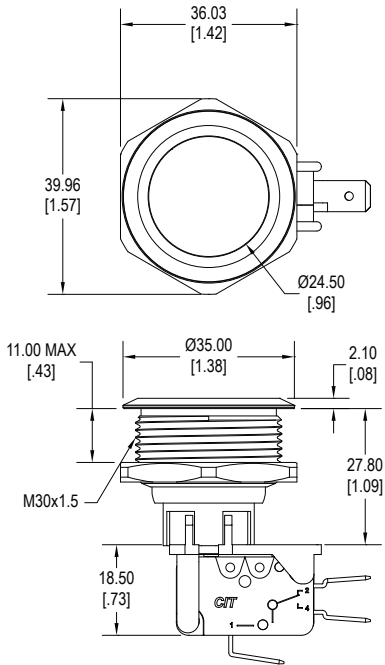


**C - Flush, Dot Illuminated**

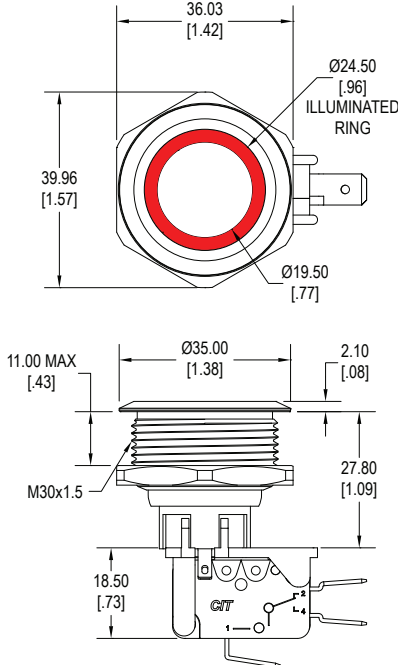


**G - Flush, In't'l Standby Symbol**

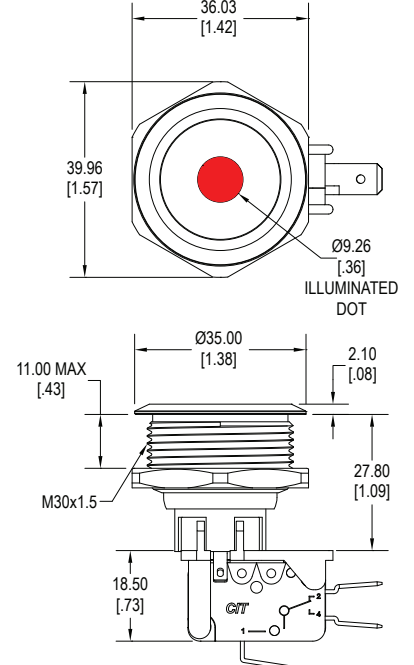
### Dimensions - 30mm, Momentary



**A - Flush, Non-Illuminated**

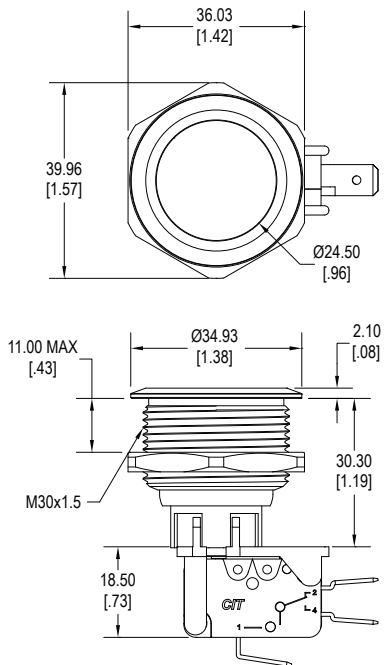


**B - Flush, Ring Illuminated**

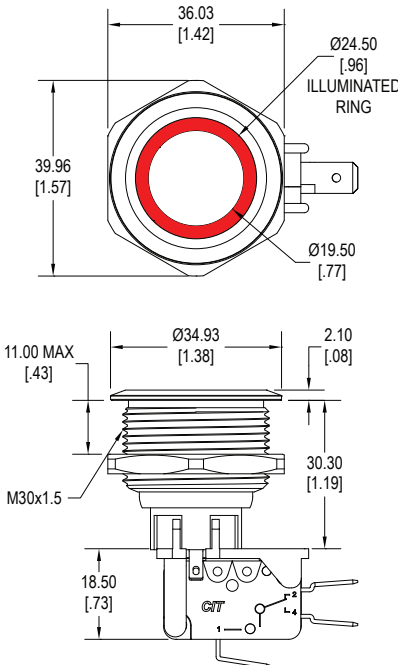


**C - Flush, Dot Illuminated**

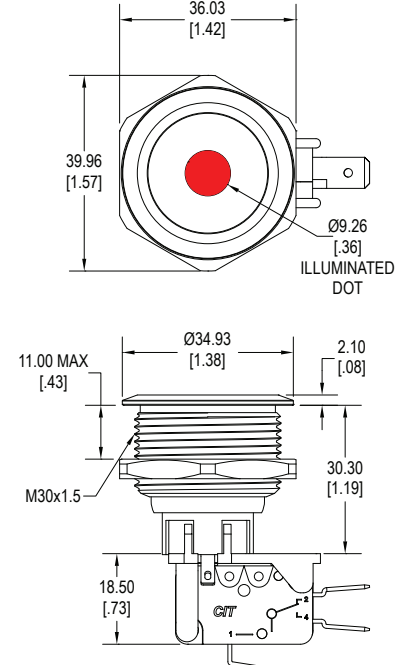
### Dimensions - 30mm, Latching



**A - Flush, Non-Illuminated**



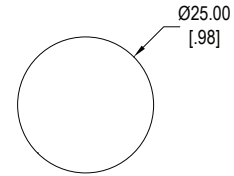
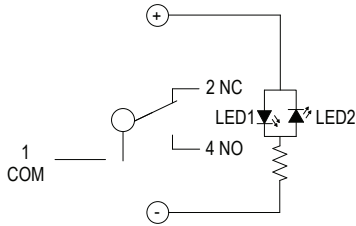
**B - Flush, Ring Illuminated**



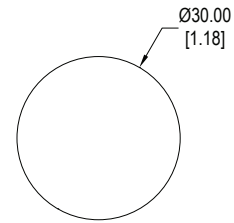
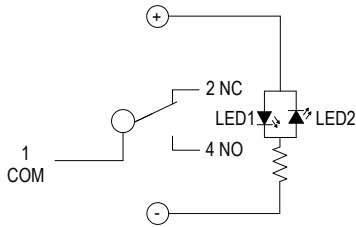
**C - Flush, Dot Illuminated**

**Schematic & Panel Cut-Out**

**25mm**

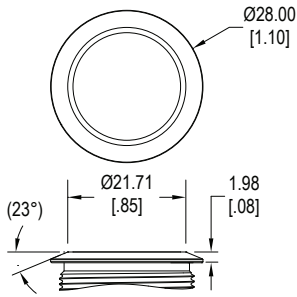


**30mm**

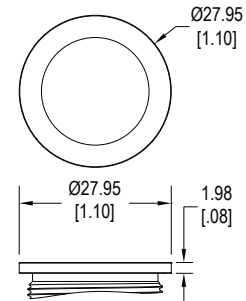


**Bezel Detail**

**25mm**

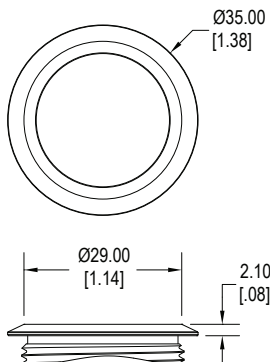


**Standard**

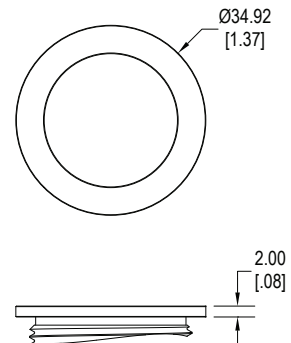


**Straight**

**30mm**



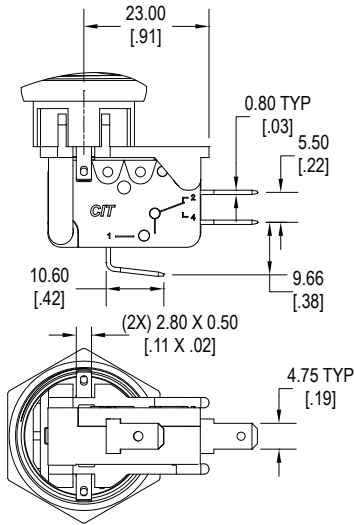
**Standard**



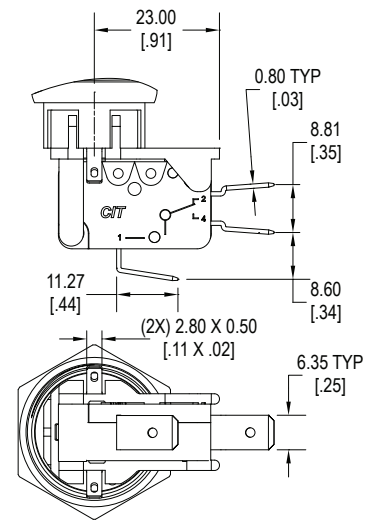
**Straight**

### Terminal Detail

#### 25mm

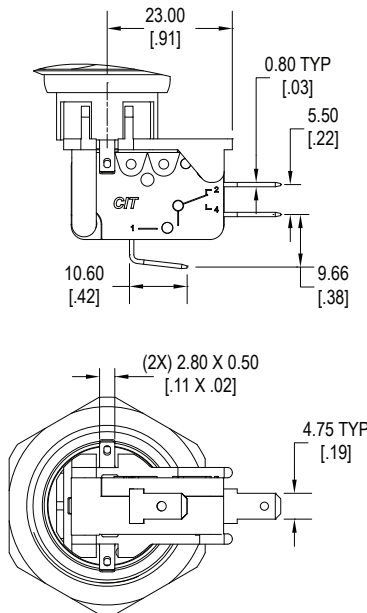


**A = .187"**  
utilizing part number VM3CQF1802L00

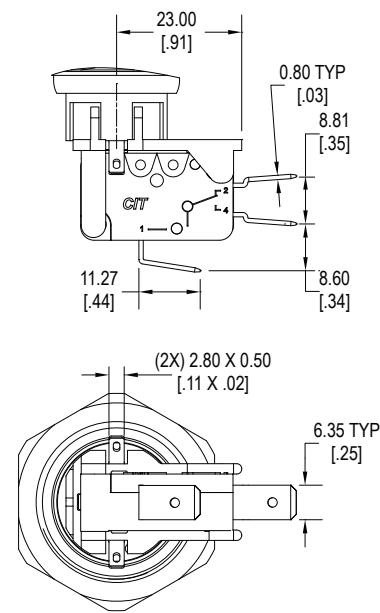


**B = .250"**  
utilizing part number VM3CQF1801L00

#### 30mm



**A = .187"**  
utilizing part number VM3CQF1802L00



**B = .250"**  
utilizing part number VM3CQF1801L00

## LED Characteristics

LED Ratings		Color						Units
		R	Y	G	B	O	W	
Reverse Voltage	$V_R$	5	5	5	5	5	5	V
Forward Current (peak)	$I_{FS}$	120	120	160	160	120	160	mA
Reverse Current $V_R = 5V$	$I_R$	10	10	10	10	10	10	$\mu A$
Power Dissipation	$P_T$	80	80	120	120	80	120	mW
Forward Voltage (typ) $I_F = 20mA$	$V_F$	2.1	2.1	3.3	3.3	2.0	3.0	V
Luminous Intensity, $I_F = 20mA$	LI	120	120	170	100	120	700	mcd