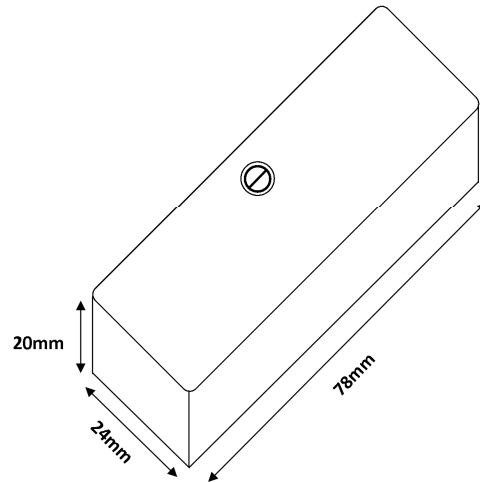
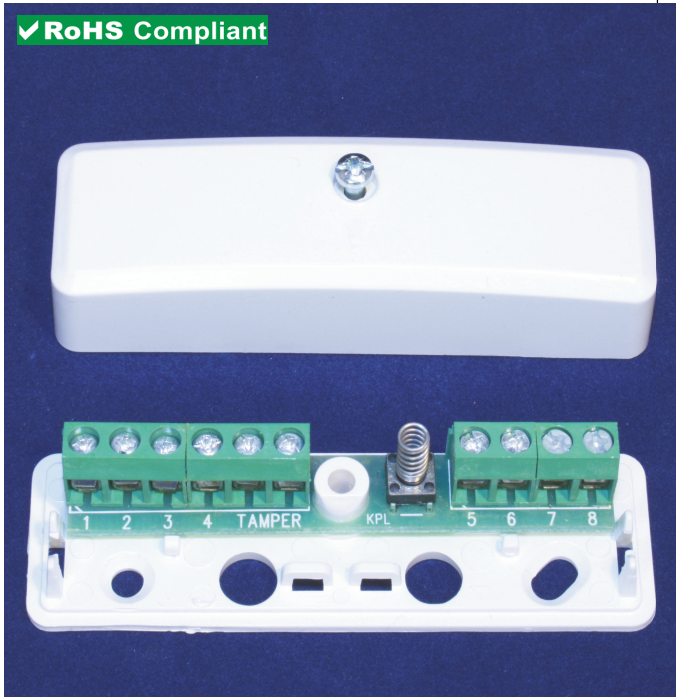


PICTURE

DIMENSIONS

✓ **RoHS Compliant**



Drawings not to scale
 All dimensions in mm nominal

DETAILS

Protection against outside attack. The tactile switch is used to trigger the alarm if the cover is being removed .

Connect the tamper switch circuit to the TMP terminals. Once the lid is removed the circuit will be broken.

Ensure all cables are secure and cannot short out to other connections or components.

Note: When refitting the cover you should hear a slight click this will indicate that the tamper switch has operated correctly.

Features Include

- 8 free terminals.
- Slim design access.
- Tamper switch protection.
- Raised terminals for easy cable routing.

Specifications

- BE EN50131-2-6 Approved.
- Grade 3.
- Compact discreet design.
- Multiple cable entry points.

Did you know we also sell?



Rev. No.

Revision Note

Date

Signature

1

Datasheet

10-08-15

ML



ISO 9001:2008
 Certificate No. FM21080

As part of the company policy of continued product improvement, specifications may change without notice. Our sales office will be pleased to help you with the latest information on this product range and the details of our full design and manufacturing service. All products are supplied to our standard conditions of sale unless otherwise agreed in writing.

Phone : +44 (0)1255 862236

www.comus-intl.com

Fax: +44 (0)1255 862014