

Data sheet

OpDAT Industry terminal rail TS35 + SC-RJ/2SC SM adapter insert

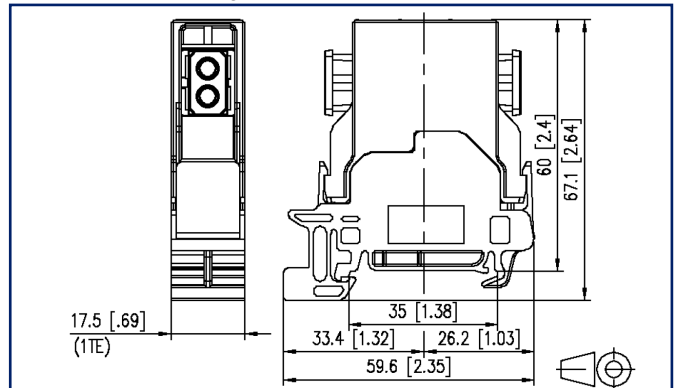
Page 1/4

P/N
1402K06113KE
EAN 4250184119111
2022/12/05
Version: F

Illustrations



Dimensional drawing



See enlarged drawings at the end of document

Product specification

- termination unit with SC-RJ/2SC adapter on TH35 rail to DIN EN 60715
- slotted zirconium oxide ceramics sleeve (ZrO₂) for single mode applications
- slotted metal sleeve (Ph-Br) for multi mode applications
- width of 1HP allows mounting up to 12 units in a standard electrical distribution panel
- vertical plugging direction, 90° to rail
- variants: SM, MM



OpDAT Industry terminal rail TS35 + SC-RJ/2SC SM adapter insert

P/N
1402K06113KE
EAN 4250184119111
2022/12/05
Version: F

Technical Data

General Data

Fields of application	office areas
Mechanical measurement according to MICE	M1
Ingress measurement according to MICE	I1
Climatic measurement according to MICE	C1
Electromagnetic measurement according to MICE	E3
Design	wall outlet
Mounting style	Standard rail TH35
Transmission technology	Fiber optic
Color	light gray
Dimensions	
Dimension (L x W x H)	67.1 mm x 17.5 mm x 59.6 mm
Dimension (L x W x H)	2.642 in. x 0.689 in. x 2.346 in.
Horizontal pitch	1HP
Mode type of the fiber	Singlemode

Connections/interfaces

Connector technology interface 1	SC-RJ
Connector technology interface 2	SC-RJ
Number of ports interface 1	1
Number of ports interface 2	1
Number of equipped ports interface 1	1
Number of ports interface 2 equipped	1
Number of ports with dust protection interface 1	1
Number of ports with dust protection interface 2	1
Module plug-in direction	vertical

Mechanical data

Cut-out	SC, LC-D, E2000
Connector type	simplex

P | Cabling

Data sheet

Page 3/4

OpDAT Industry terminal rail TS35 + SC-RJ/2SC SM adapter insert

P/N
1402K06113KE
EAN 4250184119111
2022/12/05
Version: F

Technical Data

Materials and material properties

Material - Housing	PC (polycarbonate)
Material - Cover part(s)	PA66
Material - Lower housing	PA66
Material - Insulating body	GD-Zn (zinc die-cast)
Material - Finish of insulating body	Ni (nickel)
Material - Sleeve	ceramic, slotted
Material - Ferrule	Ceramic
Material - Crimp sleeve	Cu (copper)
Material - Compression spring	stainless steel
RoHS	compliant
REACH	compliant

Environmental conditions

Increased robustness	yes
----------------------	-----

Classifications

ETIM 5.0	EC001121
ETIM 6.0	EC002598
ETIM 7.0	EC001024
ETIM 8.0	EC001024

Packing details

Type of packaging	10 pc(s) / box
Packaging unit - Weight (gram)	280 g
Packaging unit - Weight (pound)	0.62 lb
Packaging dimension	250 mm x 105 mm x 89 mm
Packaging dimension	9.843 in. x 4.134 in. x 3.504 in.

P | Cabling

Data sheet

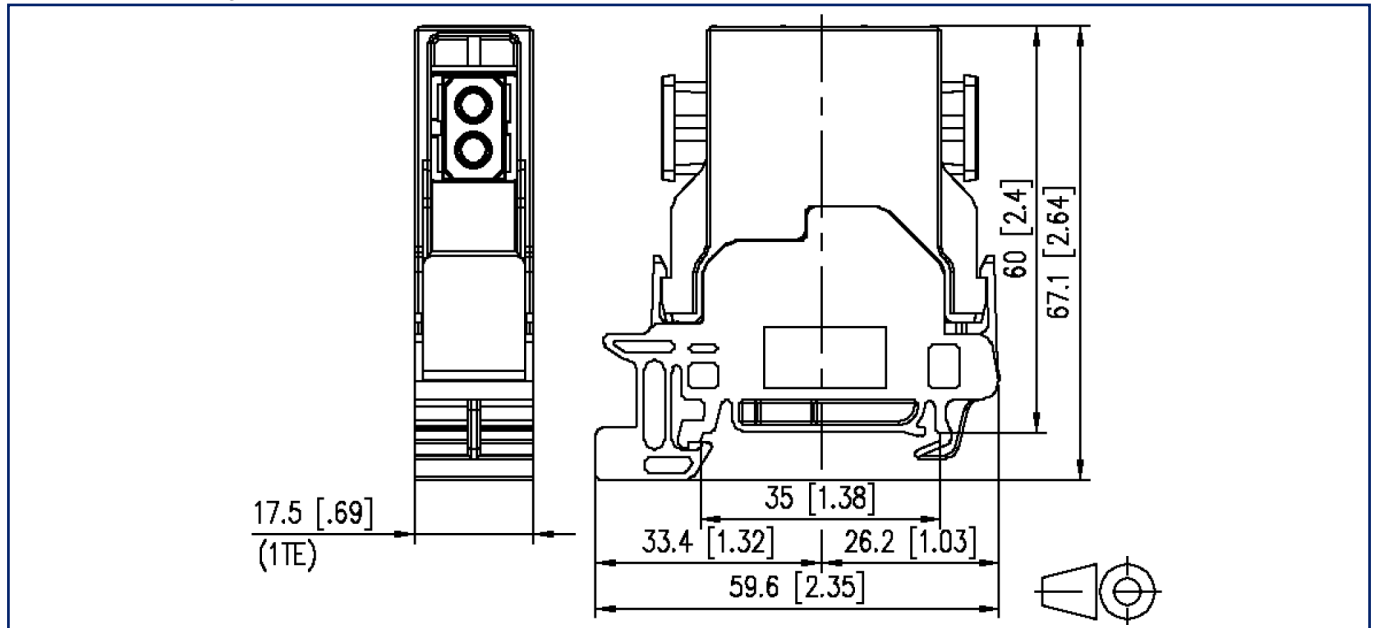
OpDAT Industry terminal rail TS35 + SC-RJ/2SC SM adapter insert

Page 4/4

P/N
1402K06113KE
EAN 4250184119111
2022/12/05
Version: F

Illustrations

Dimensional drawing



© 2022 METZ CONNECT - Technische Änderungen vorbehalten! Subject to modifications! Sous réserve de modifications techniques!

