

PLEASE CHECK WWW.MOLEX.COM FOR LATEST PART INFORMATION

Part Number: [0940905320](#)
Status: **Active**
Overview: Standard Quick-Disconnect Terminals
Description: 1 Circuit Housing for Quick Disconnect Female Terminal, Accepts 6.35 x 0.81mm Tab

Documents:

[3D Model](#) [Product Specification PS-94090-001 \(PDF\)](#)
[Drawing \(PDF\)](#) [RoHS Certificate of Compliance \(PDF\)](#)

General

| | |
|----------------|---|
| Product Family | Crimp Housings |
| Series | 94090 |
| Application | Power, Wire-to-Wire |
| Overview | Standard Quick-Disconnect Terminals |
| Product Name | Quick Disconnect |
| UPC | 800754328852 |

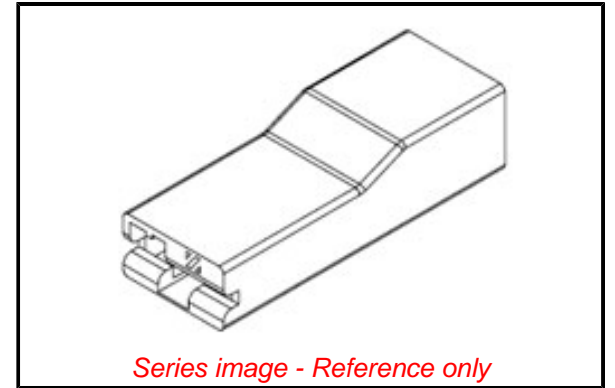
Physical

| | |
|-------------------------------|----------------|
| Breakaway | No |
| Circuits (maximum) | 1 |
| Color - Resin | Natural |
| Gender | Receptacle |
| Glow-Wire Capable | No |
| Keying to Mating Part | None |
| Lock to Mating Part | None |
| Material - Resin | Nylon |
| Net Weight | 0.560/g |
| Number of Rows | 1 |
| Packaging Type | Carton |
| Panel Mount | No |
| Pitch - Mating Interface | N/A |
| Pitch - Termination Interface | N/A |
| Polarized to Mating Part | No |
| Ports | 1 |
| Stackable | No |
| Temperature Range - Operating | -40° to +105°C |

Material Info

Reference - Drawing Numbers

| | |
|-----------------------|--------------|
| Product Specification | PS-94090-001 |
| Sales Drawing | SD-94090-017 |



EU ELV

Compliant

EU RoHS

Compliant

REACH SVHC

Not Contained Per -
ED/71/2019 (16 July
2019)

Halogen-Free

Status

Low-Halogen

For more information, please visit [Contact US](#)

China ROHS

ELV

RoHS Phthalates

China RoHS

Green Image

Compliant

Not Contained

Search Parts in this Series

[94090 Series](#)

Use With

6.35 x 0.81mm Tab