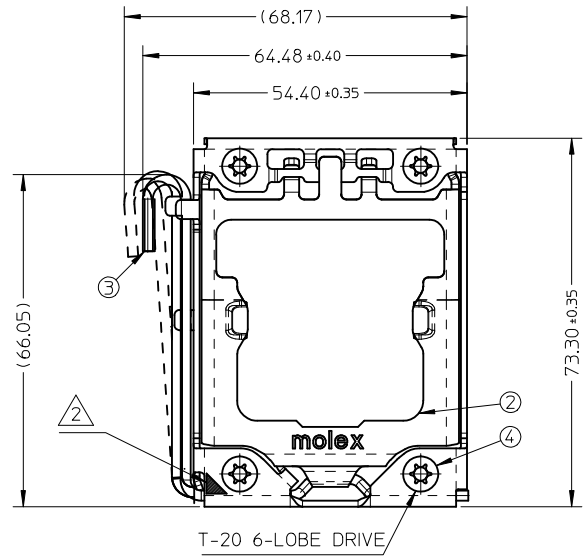


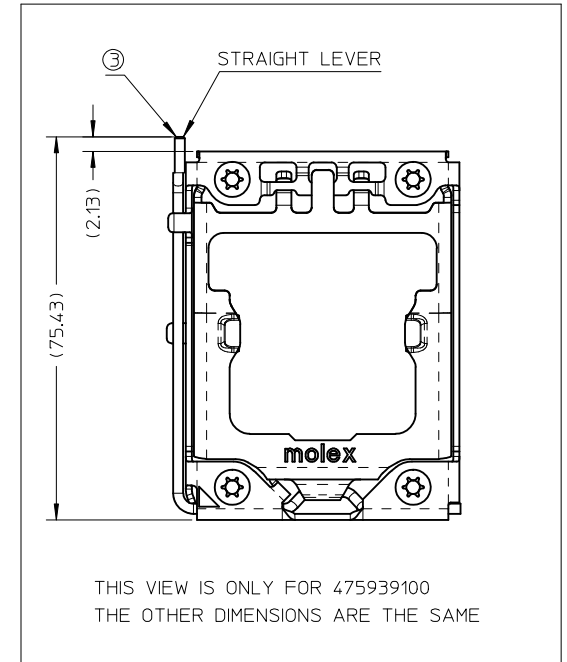
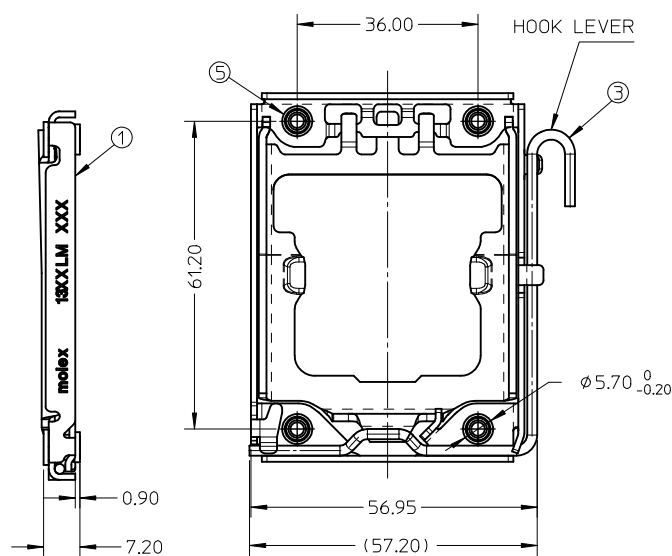
SCALE 2:1  
DETAIL 1

- NOTES:
- 1. DATE CODE
  - 2. INK MARKING, FILL AREA WITH BLACK.
  - 3. THE PARTS 47593-9\*\*\* COMPLIANT TO RoHS DIRECTIVE 2002/95/EC AND ELV 2000/53/EC.

ENTER DESCRIPTION EC NO: SH2012-0262 DRWN: ZHANG11 2012/02/13 CHKD: APPR: AYIN 2012/02/23	DESCRIPTION REV	QUALITY SYMBOLS	GENERAL TOLERANCES (UNLESS SPECIFIED)		DIMENSION STYLE MM ONLY		SCALE 1:1	DESIGN UNITS METRIC	THIRD ANGLE PROJECTION		
		$F_A=0$ $F_G=0$ $F_P=0$	mm    INCH 4 PLACES ± --- ± --- 3 PLACES ± --- ± --- 2 PLACES ± 0.2 ± --- 1 PLACE ± 0.3 ± --- ANGULAR ± 1/2°	DRAWN BY YQSUN	DATE 2008/10/14	TITLE 13XX ILM ASSEMBLY					
			DRAFT WHERE APPLICABLE MUST REMAIN WITHIN DIMENSIONS	CHECKED BY FORD LIU	DATE 2008/10/14	MOLEX INCORPORATED DOCUMENT NO. SD-47593-900					
				APPROVED BY AYIN	DATE 2010/10/22	SHEET NO. 1 OF 3					
			SIZE A3		THIS DRAWING CONTAINS INFORMATION THAT IS PROPRIETARY TO MOLEX INCORPORATED AND SHOULD NOT BE USED WITHOUT WRITTEN PERMISSION						



THIS VIEW IS ONLY FOR 475939000



THIS VIEW IS ONLY FOR 475939100  
THE OTHER DIMENSIONS ARE THE SAME

475939005	(5)	4	SOCKET 13XX FASTENER COLLAR	STEEL WITH NICKEL PLATING	
475939004	(4)	4	SOCKET 13XX FASTENER NUT	STEEL WITH NICKEL PLATING	
475939003	475939103	(3)	HOOK LEVER	STRAIGHT LEVER	STAINLESS STEEL
475939002	(2)	1	SOCKET 13XX ILM LOAD PLATE	STAINLESS STEEL	
475939001	(1)	1	SOCKET 13XX ILM FRAME	STEEL WITH NICKEL PLATING	
475939000	475939100		1	SOCKET 13XX ILM ASSEMBLY	
PART NO.	ITEM NO	QTY	DESCRIPTION	MATERIAL	

475939100	STRAIGHT LEVER	WITHOUT ILM COVER
475939000	HOOK LEVER	
PART NO.	DESCRIPTION	

ENTER DESCRIPTION  
EC NO: SH2012-0262  
DRAWN: ZHANG11 2012/02/13  
CHKD:  
APPR: AYIN 2012/02/23

QUALITY SYMBOLS  
 $\nabla_A = 0$   
 $\nabla_C = 0$   
 $\nabla_F = 0$

GENERAL TOLERANCES (UNLESS SPECIFIED)

	mm	INCH
4 PLACES	± ---	± ---
3 PLACES	± ---	± ---
2 PLACES	± 0.2	± ---
1 PLACE	± 0.3	± ---

ANGULAR ±1/2°

DRAFT WHERE APPLICABLE  
MUST REMAIN WITHIN DIMENSIONS

DIMENSION STYLE  
MM ONLY

DRAWN BY	DATE
YQSUN	2008/10/14
CHECKED BY	DATE
FORD LIU	2008/10/14
APPROVED BY	DATE
AYIN	2010/10/22

MATERIAL NO.  
SEE TABLE

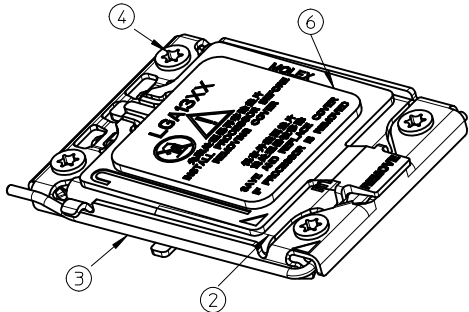
SCALE 1:1  
DESIGN UNITS METRIC  
THIRD ANGLE PROJECTION

TITLE  
13XX ILM ASSEMBLY

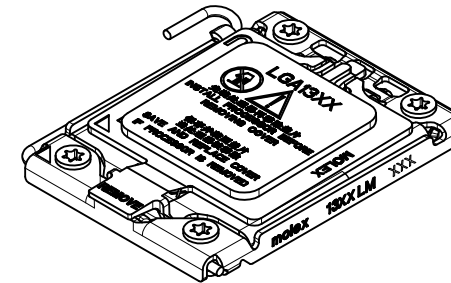
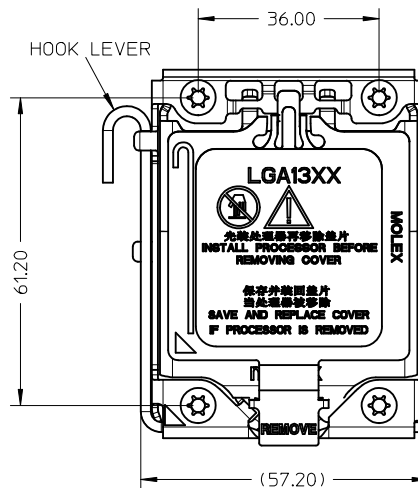
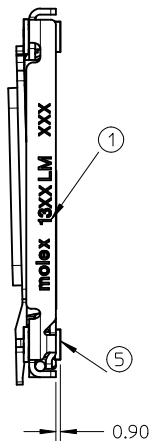
MOLEX MOLEX INCORPORATED  
DOCUMENT NO. SD-47593-900  
SHEET NO. 2 OF 3

THIS DRAWING CONTAINS INFORMATION THAT IS PROPRIETARY TO MOLEX INCORPORATED AND SHOULD NOT BE USED WITHOUT WRITTEN PERMISSION

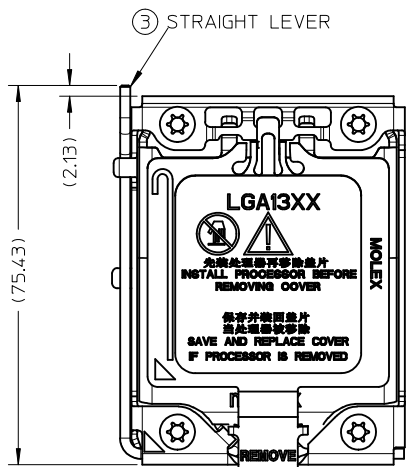
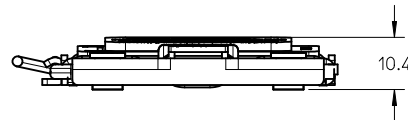
10 9 8 7 6 5 4 3 2 1



THIS VIEW IS ONLY FOR 475939170  
THE OTHER DIMENSIONS ARE THE SAME.



THIS VIEW IS ONLY FOR 475939070



475930403	⑥	1	SOCKET 13XX ILM COVER	PC/ABS
475939005	⑤	4	SOCKET 13XX FASTENER COLLAR	STEEL WITH NICKEL PLATING
475939004	④	4	SOCKET 13XX FASTENER NUT	STEEL WITH NICKEL PLATING
475939003	③	1	HOOK LEVER	STAINLESS STEEL
475939002	②	1	SOCKET 13XX ILM LOAD PLATE	STAINLESS STEEL
475939001	①	1	SOCKET 13XX ILM FRAME	STEEL WITH NICKEL PLATING
475939070	475939170	1	SOCKET 13XX ILM ASSEMBLY	
PART NO.	ITEM NO	QTY	DESCRIPTION	MATERIAL

475939170	STRAIGHT LEVER	WITH ILM COVER
475939070	HOOK LEVER	
PART NO.	DESCRIPTION	

ENTER DESCRIPTION  
EC NO: SH2012-0262  
DRWN: JZHANG11 2012/02/13  
CHKD:  
APPR: AYIN 2012/02/23

QUALITY SYMBOLS  
FA=0  
FB=0  
FC=0

GENERAL TOLERANCES (UNLESS SPECIFIED)

	mm	INCH
4 PLACES	± ---	± ---
3 PLACES	± ---	± ---
2 PLACES	± 0.2	± ---
1 PLACE	± 0.3	± ---

ANGULAR ±1/2°

DRAFT WHERE APPLICABLE  
MUST REMAIN WITHIN DIMENSIONS

DIMENSION STYLE  
MM ONLY

DRAWN BY	DATE
YOSUN	2008/10/14
CHECKED BY	DATE
FORD LIU	2008/10/14
APPROVED BY	DATE
AYIN	2010/10/22

MATERIAL NO.  
SEE TABLE

SCALE 1:1  
DESIGN UNITS METRIC  
THIRD ANGLE PROJECTION

TITLE  
13XX ILM ASSEMBLY

MOLEX MOLEX INCORPORATED  
DOCUMENT NO. SD-47593-900  
SHEET NO. 3 OF 3

THIS DRAWING CONTAINS INFORMATION THAT IS PROPRIETARY TO MOLEX INCORPORATED AND SHOULD NOT BE USED WITHOUT WRITTEN PERMISSION

9 8 7 6 5 4 3 2 1