

**PLEASE CHECK WWW.MOLEX.COM FOR LATEST PART INFORMATION**

**Part Number:** [0554821019](#)  
**Status:** **Active**  
**Overview:** Mini Mi II™ Wire Harness  
**Description:** 1.25mm Pitch Mini Mi II Wire-to-Wire Adapter, 10 Circuits

**Documents:**

[3D Model](#) [Product Specification PS-55482-006-001 \(PDF\)](#)  
[Drawing \(PDF\)](#) [RoHS Certificate of Compliance \(PDF\)](#)

**General**

Product Family	Accessories
Series	<a href="#">55482</a>
Comments	For Panel Mounting
Component Type	Adapter
Overview	<a href="#">Mini Mi II™ Wire Harness</a>
Product Name	Mini Mi II
UPC	822348170906

**Physical**

Circuits (Loaded)	10
Circuits (maximum)	10
Color - Resin	Natural
Gender	Male
Material - Metal	Brass
Material - Plating Mating	Tin
Material - Plating Termination	Tin
Material - Resin	Nylon
Net Weight	702.800/mg
Number of Rows	1
Packaging Type	Bag
Plating min - Mating	1.016µm
Plating min - Termination	1.016µm
Temperature Range - Operating	-20° to +80°C

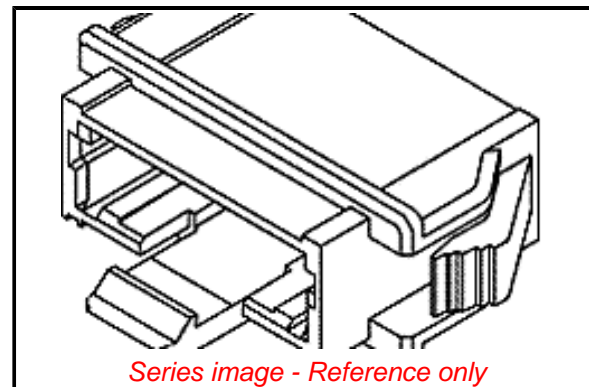
**Electrical**

Current - Maximum per Contact	1.5A
-------------------------------	------

**Material Info**

**Reference - Drawing Numbers**

Product Specification	PS-55482-006-001
Sales Drawing	SD-55482-004



**EU ELV**

**Not Relevant**

**EU RoHS**

**Compliant**

**REACH SVHC**

Not Contained Per -  
ED/61/2018 (27 June  
2018)

**Halogen-Free**

**Status**

**Low-Halogen**

**Need more information on product  
environmental compliance?**

Email [productcompliance@molex.com](mailto:productcompliance@molex.com)  
Please visit the [Contact Us](#) section for any  
non-product compliance questions.

China ROHS	Green Image
ELV	Not Relevant
RoHS Phthalates	Not Contained

**Search Parts in this Series**

[55482](#) Series

**Use With**

[54596](#)