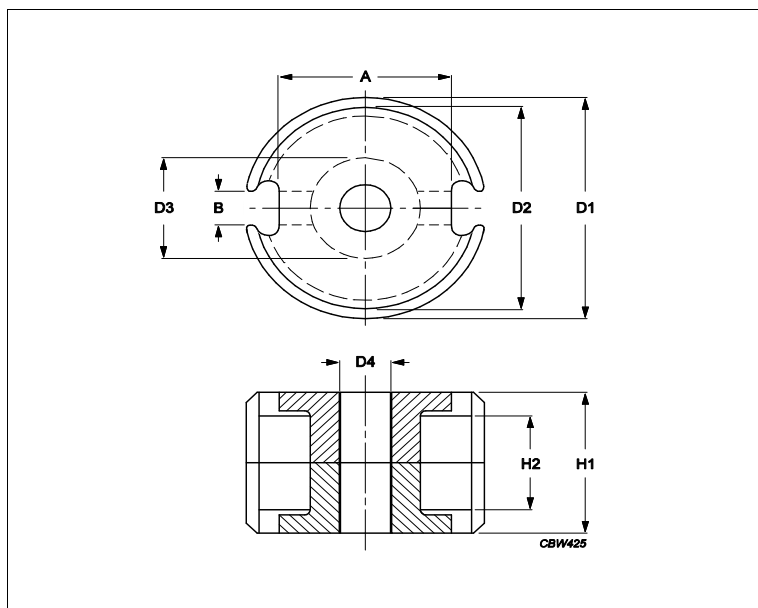


Core **P30/19**



Effective parameters			
	Parameter	Value	Unit
$\Sigma(I/A)$	core factor (C1)	0.33	mm ⁻¹
Ve	effective volume	6190	mm ³
Le	effective length	45.2	mm
Ae	effective area	137	mm ²
Amin	minimum area	116	mm ²
m	P30/19	≈ 34	g/set

Dimensions for product: P30/19

	Nom	Tol +	Tol -	Max	Min	Unit
A	20.50	0.50	0.50	21.00	20.00	mm
B	4.30	0.60	0.60	4.90	3.70	mm
D1	30.00	0.50	0.50	30.50	29.50	mm
D2	25.00	0.80	0.00	25.80	25.00	mm
D3	13.50	0.00	0.40	13.50	13.10	mm
D4	5.40	0.20	0.00	5.60	5.40	mm
H1	18.80	0.20	0.20	19.00	18.60	mm
H2	13.00	0.40	0.00	13.40	13.00	mm

Inductance factor

Material	Value	Tol +	Tol -	Unit
3C91	8300	25%	25%	nH/turns ²
3C95	8300	25%	25%	nH/turns ²
3F36	4200	25%	25%	nH/turns ²
3F46	2600	25%	25%	nH/turns ²

Power loss: 3C91

Measuring conditions			Max	Unit
100 kHz	200 mT	60 °C	3.100	W/set

Power loss: 3C95

Measuring conditions			Max	Unit
100 kHz	200 mT	100 °C	3.000	W/set
100 kHz	200 mT	25 °C	3.200	W/set

Core **P30/19**

Power loss: 3F36

Measuring conditions			Max	Unit
500 kHz	50 mT	100 °C	0.930	W/set
500 kHz	100 mT	100 °C	7.100	W/set

Power loss: 3F46

Measuring conditions			Max	Unit
1000 kHz	50 mT	100 °C	3.700	W/set
3000 kHz	10 mT	100 °C	2.400	W/set

Bsat

Measuring conditions			Material	Min	Unit
25 kHz	250 A/m	100 °C	3C91	320	mT
25 kHz	250 A/m	100 °C	3C95	330	mT
25 kHz	250 A/m	100 °C	3F36	340	mT
25 kHz	250 A/m	100 °C	3F46	330	mT

Accessories

Ordering name	Description	Ordering code
CLM/TS-P30/19-C	Clamp, self locking, screwed	432202126341
CON-P30/19	Container	432202103071
CP-P30/19-1S	Coil former, termoplastic	432202102471
CP-P30/19-1S-A	Coil former, termoplastic	433500026231
CP-P30/19-2S	Coil former, termoplastic	432202102481
CP-P30/19-3S	Coil former, termoplastic	432202102491
CPV-P30/19-1S-6PDL-Z	Coil former, termoplastic, vertical	433506026651
CPV-P30/19-1S-6PD-Z	Coil former, termoplastic, vertical	433506026641
SPR-P30/19	Spring	432202130672
TGP-P30/19-C	Tag plante	432202104301