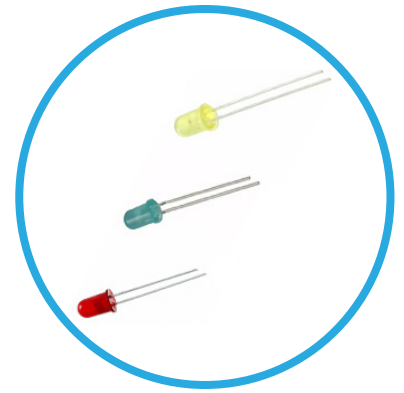




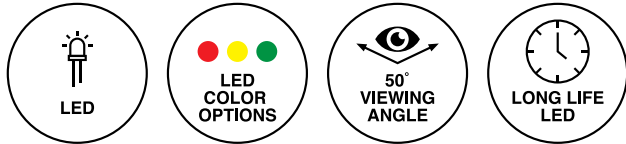
4300HLC Series

5mm (T-1 3/4) Through Hole LED

Low Current



Ideal for limited current power supplies



Application

- Automotive
- Industrial
- Railway
- Indoor and Outdoor Indication
- Appliances and Consumer Equipments
- Residential and Landscape Lighting
- Electronic Devices
- Storage Servers
- Infrastructure

Key Features

- Through-hole technology
- With Flange
- LED Bulb Size: 5mm (T-1 3/4)
- Available in 3 colors (red, green and yellow)
- Moisture Sensitive Level (MSL): 1
- Low current requires only 2mA
- Viewing Angle: 50°
- Ideal for limited current power supplies
- RoHS and REACH Compliant

Compliances and Approvals



Product Specifications

Part Numbers

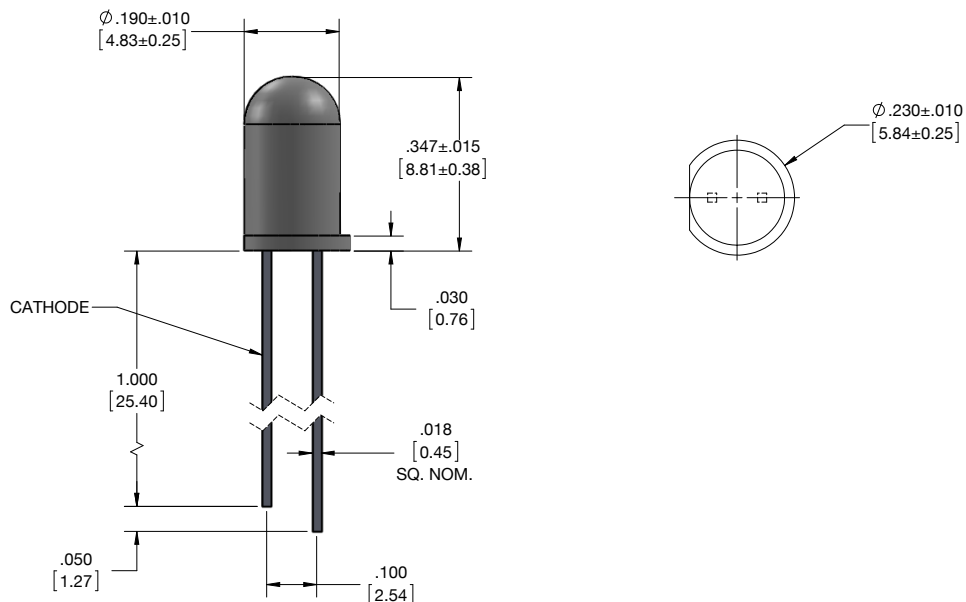
4300H1LC	4300H5LC	4300H7LC	Electro-Optical Characteristics And Ratings	Units
Red	Green	Yellow	Output Color	
Diffused	Diffused	Diffused	Diffusion	
Red	Green	Yellow	Package Color	
2	2	2	Test Current	mA
1.7	1.9	1.8	Forward Voltage Typ	V
2.0	2.2	2.5	Forward Voltage Max	V
1.5	1.0	.9	Luminous Intensity Min	mcd
2.3	2.3	2.1	Luminous Intensity Typ	mcd
4.2	-	-	Luminous Intensity Max	mcd
635	565	583	Peak Wavelength	nm
50	50	50	Viewing Angle 2Θ 1/2	degrees

4300H1LC	4300H5LC	4300H7LC	Absolute Maximum Ratings Ta = 25 °C	Units
14	15.4	17.5	Power Dissipation(Note 2)	mW
-40 to 100	-20 to 100	-40 to 100	Operating Temperature	°C
-40 to 100	-40 to 100	-40 to 100	Storage Temperature	°C
7	7	7	Peak Forward Current Max. (See Note 1)	mA
5	5	5	Reverse Voltage (Ir=50μA)	V
5	5	5	Lead Solder Time At 260°C	Seconds

Notes:

1. 10 μSecond Pulse

Product Dimensions



Notes:

All dimensions are in inches [millimeters]