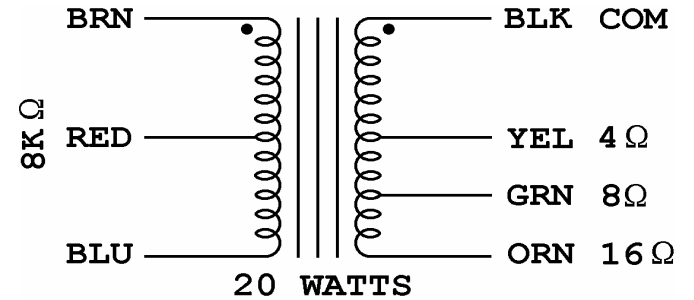
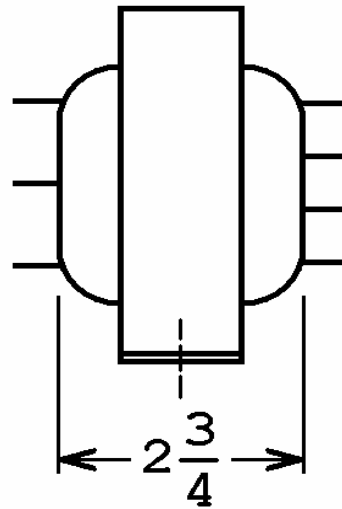
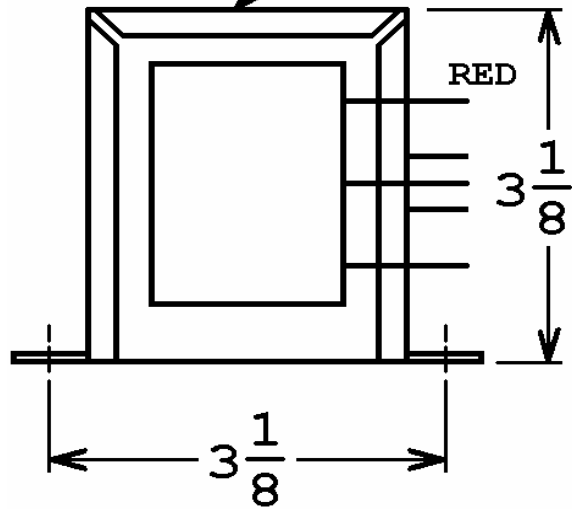


40-18090

This drawing is the property of Magnetic Components, Inc. and shall not be reproduced, in whole or in part, without the written permission of Magnetic Components, Inc.

REVISIONS			
LTR	DESCRIPTION	DATE	APPROVED

ClassicTone™
By Magnetic Components, Inc.
40-18090
166-DATE
MADE IN U.S.A.



UNLESS OTHERWISE SPECIFIED		SIGNATURES		DATE		MAGNETIC COMPONENTS, INC.		DIV :	
ALL DIMENSIONS IN INCHES DO NOT SCALE DRAWING		DRAWN : <i>MJF</i>		28 MAR 2012		TITLE		LOC : SCHILLER PK	
FRACTIONS +/-		CHECK :				TWEED DELUXE OUTPUT UPGRADE			
.X = +/-		APPR : <i>M. Lakota</i>		28 MAR 2012		CAGE 50508		SIZE PART No.	
.XX = +/-						SCALE NONE		A 40-18090	
.XXX = +/-								REV -	
ANGLES = +/-								SHEET :	