

Technical data sheet

Signaling column

Part no.: 50138252

A7-V1-MP1-DS-M7-T-100

Contents

- Technical data
- Dimensioned drawings
- Electrical connection
- Notes
- Accessories



Figure can vary



Technical data

Basic data

Series	A7
Type of signaling	Optical

Electrical data

Life expectancy	> 100,000 h
Performance data	
Supply voltage U _B	24 V, DC, 10 %
Current consumption, max.	70 mA

Connection

Number of connections	2 Piece(s)
Notes	Protected against accidental interchanges: Actuation of the colors is performed via PINs, thus, the calotte position can be freely selected (see operating instructions). The individual colors are actuated via VCC (PNP)

Connection 1

Function	Light color programmable via actuation of wires Voltage supply
Type of connection	Cable, soldered to lens / open end
Cable length	1,500 mm
Number of conductors	6 -wire

Connection 3

Function	Connection to device
Type of connection	Terminal
Type of terminal	Tension spring technology
No. of pins	6 -pin

Mechanical data

Design	Cylindrical
Dimension (Ø x L)	70 mm x 203 mm
Housing material	Metal Plastic
Metal housing	Aluminum
Plastic housing	PC-ABS
Net weight	313 g
Housing color	Black Gray
Type of fastening, at system	Screw type / horizontal
Type of illuminant	LED/24V
Lens modules	1 piece
Display of the lens colors	7 colors can be selected
Signal image	Continuous or flashing light
Lens colors	Blue Green Pink Red Turquoise White Yellow
Angle of radiation	360°

Certifications

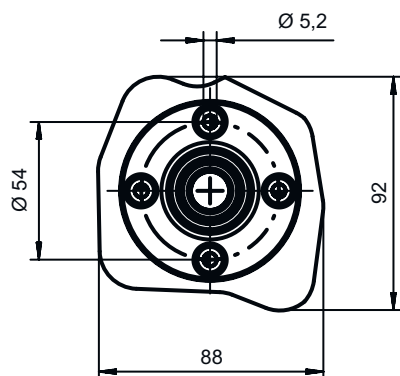
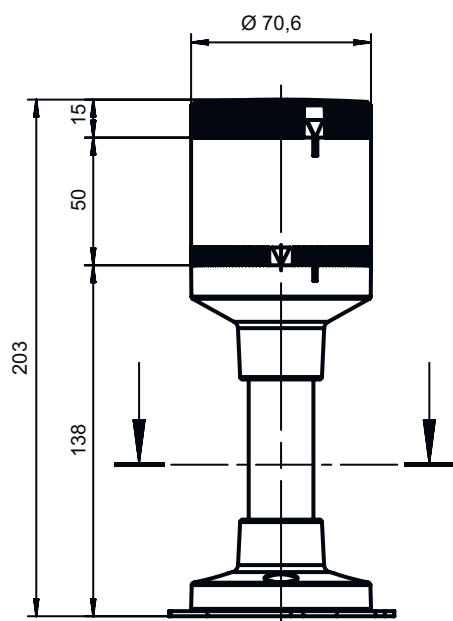
Degree of protection	IP 66, Only when mounted on a housing with the same degree of protection
Certifications	CE CSA

Classification

Customs tariff number	85318070
ECLASS 5.1.4	27371230
ECLASS 8.0	27371230
ECLASS 9.0	27371220
ECLASS 10.0	27371230
ECLASS 11.0	27371230
ECLASS 12.0	27371230
ETIM 5.0	EC001042
ETIM 6.0	EC001042
ETIM 7.0	EC001042

Dimensioned drawings

All dimensions in millimeters



Electrical connection

Connection 1

Function	Light color programmable via actuation of wires Voltage supply
Type of connection	Cable, soldered to lens / open end
Cable length	1,500 mm
Sheathing material	PVC
Cable color	Gray
Number of conductors	6 -wire
Wire cross section	0.34 mm ²

Electrical connection

Conductor color	Conductor assignment
Black	GND
Red	VCC / Light color: red
Green	VCC / Light color: green
Blue	VCC / Light color: blue
Blue / Red	VCC / Multicolor light color: pink
Green / Red	VCC / Multicolor light color: yellow
Blue / Green	VCC / Multicolor light color: turquoise
Blue / Green / Red	VCC / Multicolor light color: white
Yellow	VCC / Light color: orange
White	VCC / Light color: white / buzzer
NOTE	Connect all listed wires to obtain the corresponding light color.

Connection 3	
Function	Connection to device
Type of connection	Terminal
Type of terminal	Tension spring technology
No. of pins	6 -pin

Terminal	Assignment
B	Blue
G	Green
A	orange/yellow
R	Red
0 V	GND
W	white/buzzer

Notes

Observe intended use!

	<ul style="list-style-type: none"> This product is not a safety sensor and is not intended as personnel protection. The product may only be put into operation by competent persons. Only use the product in accordance with its intended use.
--	--

Accessories

Mounting technology - Mounting brackets

	Part no.	Designation	Article	Description
	50142896	A7-MW2	Signaling column element	Design: L shape Version: Angle, L-shape Fastening, at system: Through-hole mounting

Accessories

General

	Part no.	Designation	Article	Description
	50135462	A7-V1-BZ1-M	Signaling column element	Signaling: Acoustic Current consumption, max.: 70 mA Design: Cylindrical Diameter: 70 mm Fastening: Bayonet system Operational controls: DIP switch, 225° potentiometer Ambient temperature: -10 ... 60 °C Degree of protection: IP 66 Tone type: Continuous or pulse tone Sound pressure: 100 dB Number of tones: 8 Piece(s)
	50138151	A7-V1-BZ2-S	Signaling column element	Signaling: Acoustic Current consumption, max.: 30 mA Design: Cylindrical Diameter: 70 mm Fastening: Bayonet system Operational controls: 225° potentiometer Ambient temperature: -10 ... 60 °C Degree of protection: IP 66 Tone type: Continuous tone Sound pressure: 105 dB Number of tones: 1 Piece(s)
	50138366	A7-V1-BZ3-S	Signaling column element	Signaling: Acoustic Current consumption, max.: 30 mA Design: Cylindrical Diameter: 70 mm Fastening: Bayonet system Operational controls: 225° potentiometer Ambient temperature: -10 ... 60 °C Degree of protection: IP 66 Tone type: Pulse tone Sound pressure: 105 dB Number of tones: 1 Piece(s)

Note



A list with all available accessories can be found on the Leuze website in the Download tab of the article detailed page.