



(IRM-90)



(IRM-90-xxST)



Features

Applications

- 3.43"x2.05"compact size
- PCB, chassis or screw terminal mounting version
- Universal input 80~305VAC
- No load power consumption<0.3W
- EMI BS EN/EN55032 ClassB without additional components
- Wide operating temp. rage -30~80°C
- Protections: Short circuit / Overload / Over voltage
- Cooling by free air convection
- Isolation Class II
- Over voltage category III
- Operating attitude up to 4000 meters (Note.7)
- 100W peak(10 sec.)
- 3 years warranty

- Industrial electrical equipment
- Mechanical equipment
- Factory automation equipment
- Handheld electronic device

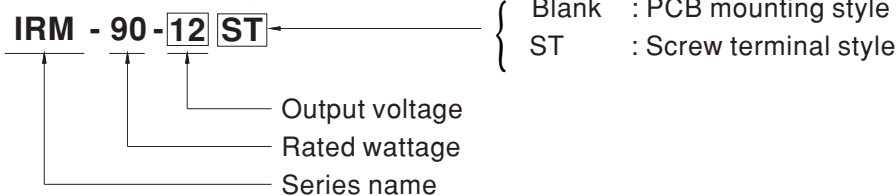
Description

GTIN CODE

MW Search: <https://www.meanwell.com/serviceGTIN.aspx>

IRM-90 is a 90W miniature (87*52*29.5mm) AC-DC PCB-mount module type power supply, ready to be soldered onto the PCB boards of various kinds of electronic instruments or industrial automation equipments. This product allows the universal input voltage range of 80~305VAC. The 94V-0 flame retardant plastic case and the fully-potted silicone enhance the heat dissipation and meet the anti-vibration demand up to 2~5G anti-vibration by model; moreover, it provides the fundamental resistance to dust and moisture. With the high efficiency up to 93% and the extremely low no-load power consumption below 0.3W, IRM-90 series fulfills the worldwide regulation for the low power consumption requirement for electronics. The entire series is a Class II design (no FG pin), incorporating the built-in EMI filtering components, enabling the compliance with BS EN/EN55032 Class B; the supreme EMC features keep the end electronic units from from electromagnetic interference. In addition to the PCB mounting style model, IRM-90 series also offers the screw terminal style model (ST).

Model Encoding



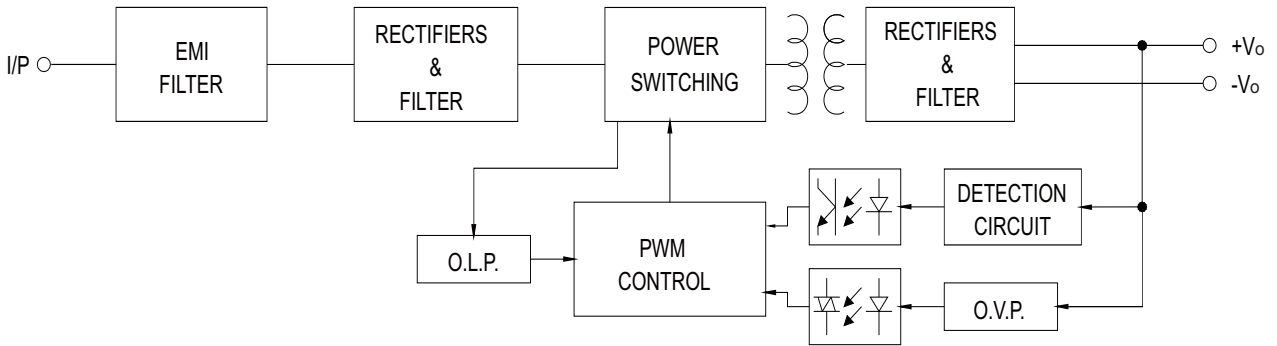


SPECIFICATION

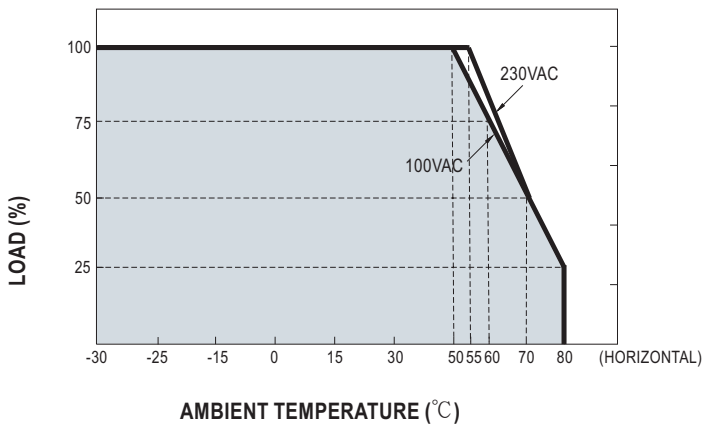
MODEL	IRM-90-12 <input type="checkbox"/>	IRM-90-15 <input type="checkbox"/>	IRM-90-24 <input type="checkbox"/>	IRM-90-48 <input type="checkbox"/>		
OUTPUT	DC VOLTAGE	12V	15V	24V	48V	
	CURRENT	Peak(10 sec.)	7.37A	6.23A	4.13A	2.07A
		Convection	6.7A	5.67A	3.75A	1.88A
	RATED POWER	Peak(10 sec.) <small>Note.2</small>	88.4W	93.5W	99W	99.2W
		Convection	80.4W	85.05W	90W	90.2W
	RIPPLE & NOISE (max.) <small>Note.3</small>	120mVp-p	150mVp-p	200mVp-p	240mVp-p	
	VOLTAGE TOLERANCE <small>Note.4</small>	±2.0%	±2.0%	±2.0%	±2.0%	
	LINE REGULATION	±0.5%	±0.5%	±0.5%	±0.5%	
	LOAD REGULATION	±1.0%	±0.5%	±0.5%	±0.5%	
	SETUP, RISE TIME	1000ms, 30ms/230VAC 1000ms, 30ms/115VAC at full load				
HOLD UP TIME (Typ.)	30ms/230VAC 10ms/115VAC at full load					
INPUT	VOLTAGE RANGE <small>Note.5</small>	80 ~ 305VAC 113 ~ 431VDC				
	FREQUENCY RANGE	47 ~ 63Hz				
	EFFICIENCY (Typ.)	92%	92.5%	93%	93%	
	AC CURRENT (Typ.)	1.9A/115VAC 1.1A/230VAC				
	INRUSH CURRENT (Typ.)	COLD START 30A/115VAC 65A/230VAC				
	LEAKAGE CURRENT (max.) <small>Note.6</small>	< 0.25mA/240VAC				
PROTECTION	OVERLOAD	115% ~ 160% rated output power Protection type : Hiccup mode, recovers automatically after fault condition is removed				
	OVER VOLTAGE	12.6 ~ 16.2V	15.8 ~ 20.3V	25.2 ~ 32.4V	50.4 ~ 64.8V	
	OVER TEMPERATURE	Protection type : Shut down o/p voltage, re-power on to recover				
ENVIRONMENT	WORKING TEMP.	-30 ~ +80°C (Refer to "Derating Curve")				
	WORKING HUMIDITY	20 ~ 90% RH non-condensing				
	STORAGE TEMP.	-40 ~ +85°C				
	TEMP. COEFFICIENT	±0.03%/°C (0 ~ 50°C)				
	SOLDERING TEMPERATURE	Wave soldering: 265°C, 5s (max.); Manual soldering: 390°C, 3s (max.)				
	VIBRATION	Blank: 10 ~ 500Hz, 2G 10min./1cycle, period for 60min. each along X, Y, Z axes ST: 10 ~ 500Hz, 5G 10min./1cycle, period for 60min. each along X, Y, Z axes				
	OPERATING ALTITUDE <small>Note.7</small>	III ; EN62368-1; altitude up to 2000 meters				
SAFETY & EMC (Note 8)	SAFETY STANDARDS	IEC62368-1, IEC60335-1, Dekra BS EN/EN60335-1, BS EN/EN62368-1, UL62368-1, TUV BS EN/EN62368-1, EAC TP TC 004 approved				
	WITHSTAND VOLTAGE	I/P-O/P: 4KVAC				
	ISOLATION RESISTANCE	I/P-O/P: 100M Ohms / 500VDC / 25°C / 70% RH				
	EMC EMISSION	Parameter	Standard		Test Level / Note	
		Conducted	BS EN/EN55032 (CISPR32), BS EN/EN55014-1		Class B	
		Radiated	BS EN/EN55032 (CISPR32), BS EN/EN55014-1		Class B	
		Harmonic Current	BS EN/EN61000-3-2		Class A	
	Voltage Flicker	BS EN/EN61000-3-3		-----		
	EMC IMMUNITY	BS EN/EN55035, BS EN/EN61000-6-2, BS EN/EN55014-2				
		Parameter	Standard		Test Level / Note	
		ESD	BS EN/EN61000-4-2		Level 3, 8KV air; Level 2, 4KV contact, criteria A	
		RF field susceptibility	BS EN/EN61000-4-3		Level 3, criteria A	
		EFT bursts	BS EN/EN61000-4-4		Level 3, criteria A	
		Surge susceptibility	BS EN/EN61000-4-5		Level 4, 2KV/L-N, criteria A	
Conducted susceptibility		BS EN/EN61000-4-6		Level 3, criteria A		
Magnetic field immunity		BS EN/EN61000-4-8		Level 4, criteria A		
Voltage dip, interruption	BS EN/EN61000-4-11		>95% dip 0.5 periods, 30% dip 25 periods, >95% interruptions 250 periods			
OTHERS	MTBF	5088.4K hrs min. Telcordia SR-332 (Bellcore) ; 609.9K hrs min. MIL-HDBK-217F (25°C)				
	DIMENSION	PCB mounting style : 87*52*29.5mm (L*W*H) Screw terminal style : 109*52*33.5mm (L*W*H)				
	PACKING	PCB mounting style : 0.197Kg; 60pcs/11.8Kg/0.94CUFT Screw terminal style : 0.219Kg; 50pcs/12Kg/0.56CUFT				
NOTE	<p>1. All parameters NOT specially mentioned are measured at 230VAC input, rated load and 25°C of ambient temperature.</p> <p>2. 33% Duty cycle maximum within every 30 seconds. Average output power should not exceed the rated power.</p> <p>3. Ripple & noise are measured at 20MHz of bandwidth by using a 12" twisted pair-wire terminated with a 0.1 μf & 47 μf parallel capacitor.</p> <p>4. Tolerance : includes set up tolerance, line regulation and load regulation.</p> <p>5. Derating may be needed under low input voltages. Please check the derating curve for more details.</p> <p>6. Leakage current was measured from primary input to DC output.</p> <p>7. The ambient temperature derating of 3.5°C/1000m with fanless models and of 5°C/1000m with fan models for operating altitude higher than 2000m(6500ft).</p> <p>8. The power supply is considered a component which will be installed into a final equipment. The final equipment must be re-confirmed that it still meets EMC directives. For guidance on how to perform these EMC tests, please refer to "EMI testing of component power supplies." (as available on http://www.meanwell.com)</p> <p>※ Product Liability Disclaimer : For detailed information, please refer to https://www.meanwell.com/serviceDisclaimer.aspx</p>					

■ Block Diagram

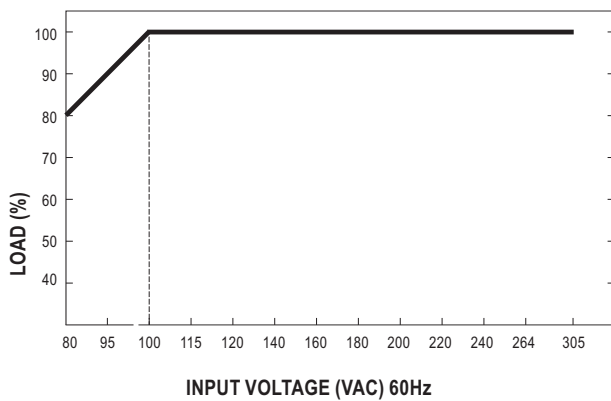
fosc : 70KHz



■ Derating Curve



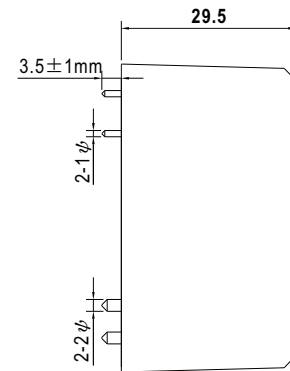
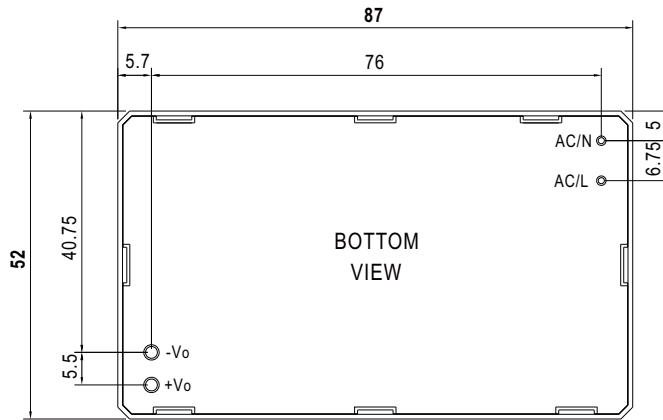
■ Output Derating VS Input Voltage



■ **Mechanical Specification**

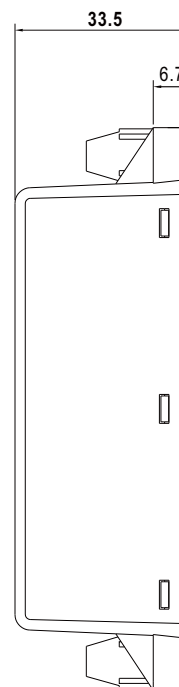
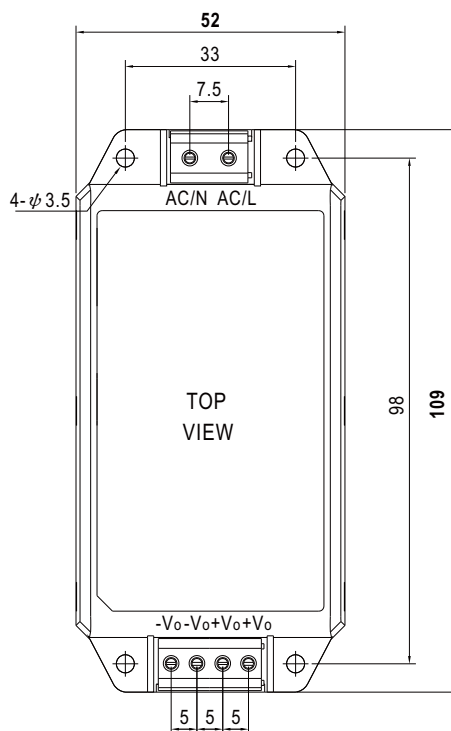
Case No. IRM60 Unit:mm

• PCB mounting style (IRM-90)



AC/L, AC/N P/N diameter: 1 φ
+Vo, -Vo P/N diameter: 2 φ

• Screw terminal style (IRM-90-xxST)



■ **Installation Manual**

Please refer to : <http://www.meanwell.com/manual.html>