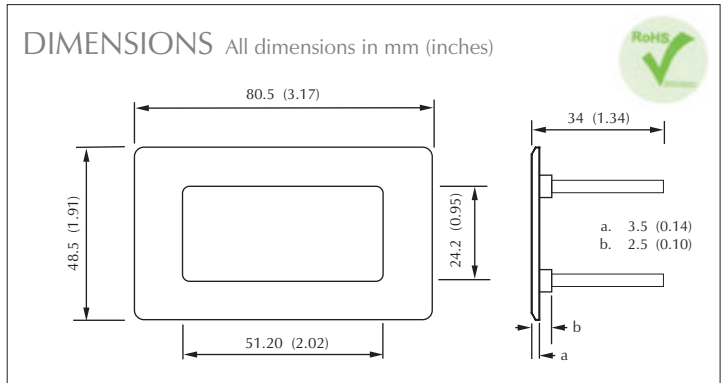


When used in conjunction with a panel mounted 900 series instrument (purchased separately), this bezel offers the assembly an IP67/NEMA 4X rating from the front. This bezel uses the same panel cut-out as the bezel supplied with a 900 series module, thus ensuring full compatibility with existing panels. The screw fixings allow for a quick and easy assembly of the module and bezel in the panel. A robust and attractive alloy construction gives the product a professional finish. BEZ 900-IP is ideally suited for applications where the ingress of moisture or particles poses a problem.

- IP67 / NEMA 4X Rated
- Screw Fixing
- Glass Window
- Robust Construction
- Attractive Appearance
- Easy Assembly



ASSEMBLY INSTRUCTIONS

① Bezel	Qty. 1
② O-ring	Qty. 1
③ Panel Instrument	
④ Mounting Clamp	Qty. 2
⑤ Front Panel	
⑥ Screw Stud	Qty. 4
⑦ Insulating Washer	Qty. 4
⑧ Fixing Nut	Qty. 8
⑨ Shakeproof Washer	Qty. 4
⑩ Earthing Tag	Qty. 1

Assembly Procedure

1. Make a clean 72 x 40mm (2.83" x 1.57") panel cut-out.
2. Ensure that the panel is flat.
3. Lightly smear the O-ring with silicon grease or similar.
4. Fit the O-ring in the groove on the rear of the bezel.
5. Slide the module over the 4 screw studs.
6. Fix the module to the bezel, using four washers and nuts.
7. Slide the assembly into the panel cut-out.
8. Add the mounting brackets from the rear.
9. Slide the earthing tag and shakeproof washers over the screws.
10. Add the 4 nuts provided and tighten.
11. Connect the earthing tag to ground with a length of wire.

Take care not to overtighten the nuts.

Panel Cut-out: 72 x 40mm (2.83" x 1.57")
 Panel Thickness: 2mm (0.08") minimum

Notes: On some panel instruments it may be easier to configure links and calibrate the product prior to fitting the instrument and BEZ 900-IP into the panel. Always observe safety warnings on the Panel Instrument datasheet. Do not allow connections to touch the metal bezel, as this may adversely affect product safety or stop the panel instrument from functioning correctly. Do not fit the cable strain relief on the DMX 908, DMX 916 and DMX 973 when using BEZ 900-IP.