

CAN FD Transceiver with Wake-up Pattern (WUP) Option

Features

- Supports CAN 2.0 and CAN with Flexible Data-Rate (CAN FD) Physical Layer Transceiver Requirements
- Optimized for CAN FD at 2, 5 and 8 Mbps Operation:
 - Maximum propagation delay: 120 ns
 - Loop delay symmetry: -10%/+10% (2 Mbps)
- MCP2542FD/4FD:
 - Wake-up on CAN activity, 3.6 μ s filter time
- MCP2542WFD/4WFD:
 - Wake-up on Pattern (WUP), as specified in ISO 11898-2:2016, 3.6 μ s activity filter time
- Implements ISO 11898-2:2016
- Qualified According to AEC-Q100 Rev. G
- Very Low Standby Current (4 μ A, typical)
- VIO Supply Pin to Interface Directly to CAN Controllers and Microcontrollers with 1.8V to 5V I/O
- CAN Bus Pins are Disconnected when Device is Unpowered:
 - An unpowered node or brown-out event will not load the CAN bus
 - Device is unpowered if VDD or VIO drop below its POR level
- Detection of Ground Fault:
 - Permanent dominant detection on TXD
 - Permanent dominant detection on bus
- Automatic Thermal Shutdown Protection
- Suitable for 12V and 24V Systems
- Meets or Exceeds Stringent Automotive Design Requirements, Including “*Hardware Requirements for LIN, CAN and FlexRay Interfaces in Automotive Applications*”, Version 1.3, May 2012:
 - Conducted emissions @ 2 Mbps with Common-Mode Choke (CMC)
 - Direct Power Injection (DPI) @ 2 Mbps with CMC
- Meets SAE J2962/2 “*Communication Transceiver Qualification Requirements - CAN*”:
 - Radiated emissions @ 2 Mbps without a CMC
- High Electrostatic Discharge (ESD) Protection on CANH and CANL, meeting IEC61000-4-2 up to \pm 13 kV
- Temperature Ranges:
 - Extended (E): -40°C to +125°C
 - High (H): -40°C to +150°C

Description

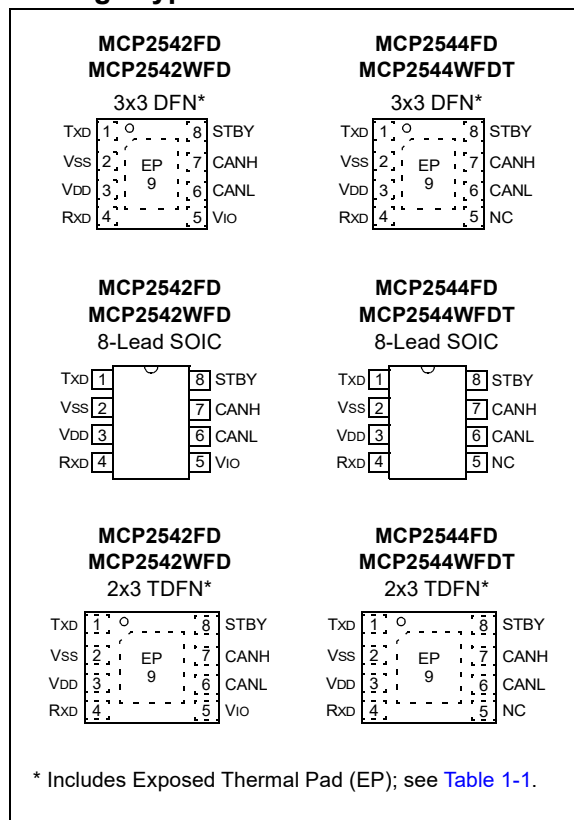
The MCP2542FD/4FD and MCP2542WFD/4WFD CAN transceiver family is designed for high-speed CAN FD applications of up to 8 Mbps communication speed. The maximum propagation delay was improved to support longer bus length.

The device meets the automotive requirements for CAN FD bit rates exceeding 2 Mbps, low quiescent current, Electromagnetic Compatibility (EMC) and Electrostatic Discharge (ESD).

Applications

CAN 2.0 and CAN FD networks in automotive, industrial, aerospace, medical and consumer applications.

Package Types



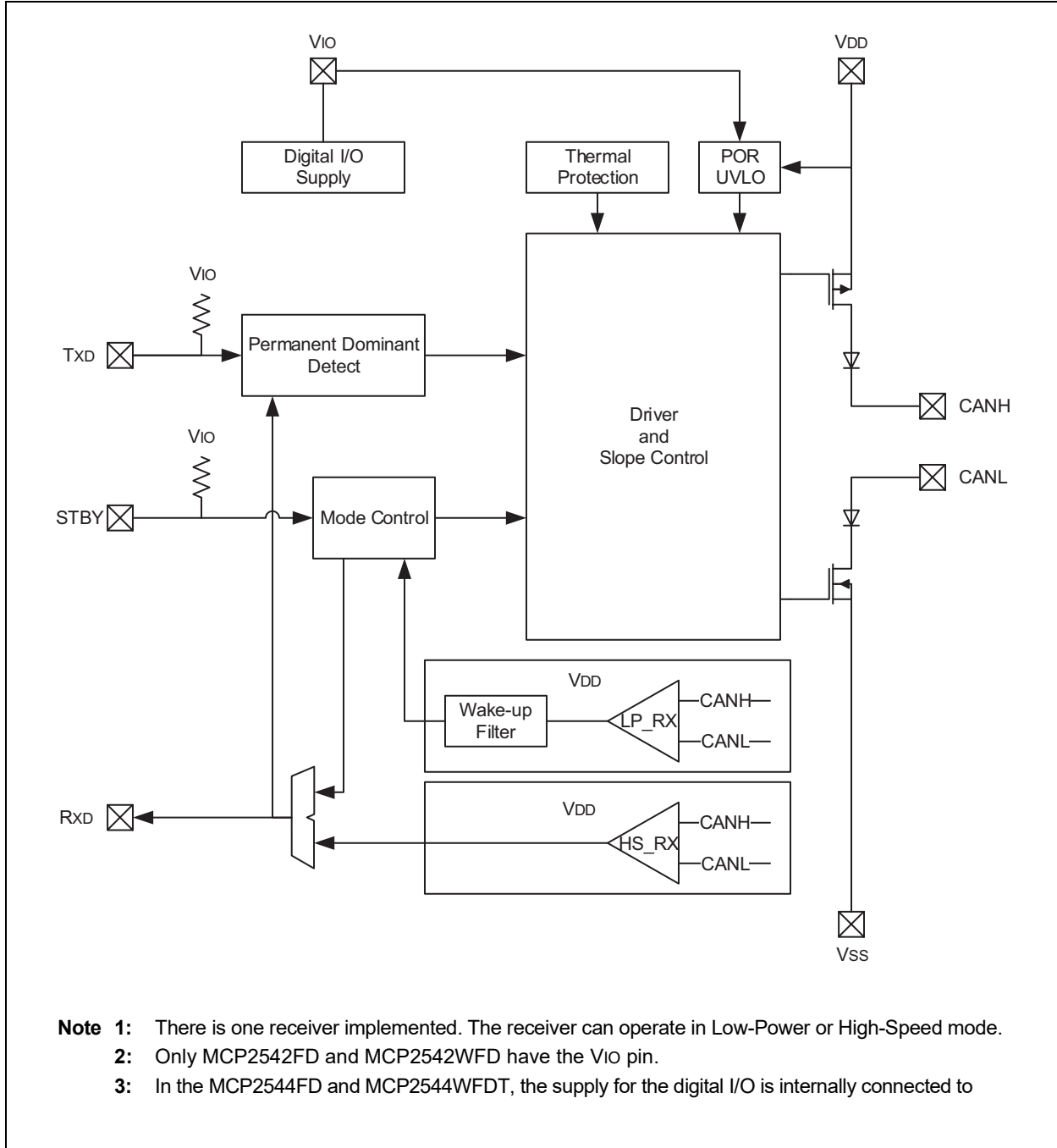
MCP2542FD/4FD, MCP2542WFD/4WFD

MCP2542FD/4FD, MCP2542WFD/4WFD Family Members

| Device | Vio pin | WUP | Description |
|-------------|---------|-----|--|
| MCP2542FD | Yes | No | |
| MCP2544FD | No | No | Internal Level Shifter on Digital I/O Pins |
| MCP2542WFD | Yes | Yes | Wake-up on Pattern (see Section 1.6.5 “Remote Wake-up via CAN Bus (WUP)”) |
| MCP2544WFDT | No | Yes | Internal Level Shifter on Digital I/O Pins; Wake-up on Pattern |

Note: For ordering information, see the [Product Identification System](#) section.

Block Diagram



MCP2542FD/4FD, MCP2542WFD/4WFD

1.0 DEVICE OVERVIEW

The MCP2542FD/4FD and MCP2542WFD/4WFD devices serve as the interface between a CAN protocol controller and the physical bus. The devices provide differential transmit and receive capability for the CAN protocol controller. The devices are fully compatible with ISO 11898-2:2016.

Excellent loop delay symmetry supports data rates up to 8 Mbps for CAN FD. The maximum propagation delay was improved to support longer bus length.

Typically, each node in a CAN system must have a device to convert the digital signals generated by a CAN controller to signals suitable for transmission over the bus cabling (differential output). It also provides a buffer between the CAN controller and the high-voltage spikes that can be generated on the CAN bus by outside sources.

The MCP2542FD/4FD wakes up on CAN activity (basic wake-up). The CAN activity filter time is 3.6 μ s maximum.

The MCP2542WFD/4WFD wakes up after receiving two consecutive Dominant states separated by a Recessive state: WUP. The minimum duration of each Dominant and Recessive state is t_{FILTER} . The complete WUP has to be detected within $t_{WAKE(TO)}$.

1.1 Transmitter Function

The CAN bus has two states: Dominant and Recessive. A Dominant state occurs when the differential voltage between CANH and CANL is greater than $V_{DIFF(D)(I)}$. A Recessive state occurs when the differential voltage is less than $V_{DIFF(R)(I)}$. The Dominant and Recessive states correspond to the Low and High states of the TXD input pin, respectively. However, a Dominant state initiated by another CAN node will override a Recessive state on the CAN bus.

1.2 Receiver Function

In Normal mode, the RXD output pin reflects the differential bus voltage between CANH and CANL. The Low and High states of the RXD output pin correspond to the Dominant and Recessive states of the CAN bus, respectively.

1.3 Internal Protection

CANH and CANL are protected against battery short circuits and electrical transients that can occur on the CAN bus. This feature prevents destruction of the transmitter output stage during such a Fault condition.

The device is further protected from excessive current loading by thermal shutdown circuitry that disables the output drivers when the junction temperature exceeds a nominal limit of +175°C.

All other parts of the chip remain operational and the chip temperature is lowered due to the decreased power dissipation in the transmitter outputs. This protection is essential to protect against bus line short-circuit induced damage. Thermal protection is only active during Normal mode.

1.4 Permanent Dominant Detection

The MCP2542FD/4FD and MCP2542WFD/4WFD devices prevent two conditions:

- Permanent Dominant condition on TXD
- Permanent Dominant condition on the bus

In Normal mode, if the MCP2542FD/4FD and MCP2542WFD/4WFD devices detect an extended Low state on the TXD input, they will disable the CANH and CANL output drivers in order to prevent the corruption of data on the CAN bus. The drivers will remain disabled until TXD goes high. The high-speed receiver is active and data on the CAN bus are received on RXD.

In Standby mode, if the MCP2542FD/4FD and MCP2542WFD/4WFD devices detect an extended dominant condition on the bus, it will set the RXD pin to a Recessive state. This allows the attached controller to go to Low-Power mode until the dominant issue is corrected. RXD is latched high until a Recessive state is detected on the bus and the wake-up function is enabled again.

1.5 Power-on Reset (POR) and Undervoltage Detection

The MCP2542FD/4FD and MCP2542WFD/4WFD have POR detection on both supply pins: VDD and VIO. Typical POR thresholds to deassert the Reset are 1.2V and 3.0V for VIO and VDD, respectively.

When the device is powered on, CANH and CANL remain in a high-impedance state until VDD exceeds its undervoltage level. Once powered on, CANH and CANL will enter a high-impedance state if the voltage level at VDD drops below the undervoltage level, providing voltage brown-out protection during normal operation.

In Normal mode, the receiver output is forced to the Recessive state during an undervoltage condition on VDD. In Standby mode, the low-power receiver is designed to work down to 1.7V VIO. Therefore, the low-power receiver remains operational down to VPORL on VDD (MCP2544FD and MCP2544WFDT). The MCP2542FD and MCP2542WFD transfer data to the RXD pin down to 1.7V on the VIO supply.

MCP2542FD/4FD, MCP2542WFD/4WFD

1.6 Mode Control

The main difference between the MCP2542FD/4FD and MCP2542WFD/4WFD is the wake-up method.

Figure 1-1 shows the state diagram of the MCP2542FD/4FD. The devices wake up on CAN activity.

Figure 1-2 shows the state diagram of the MCP2542WFD/4WFD. The devices wake up on a WUP.

1.6.1 UNPOWERED MODE (POR)

The MCP2542FD/4FD and MCP2542WFD/4WFD enter Unpowered mode under the following conditions:

- After powering up the device, or
- If VDD drops below VPORL, or
- If VIO drops below VPORL_VIO

In Unpowered mode, the CAN bus will be biased to ground using a high-impedance. The MCP2542FD/4FD and MCP2542WFD/4WFD are not able to communicate on the bus or detect a wake-up event.

1.6.2 WAKE MODE

The MCP2542FD/4FD and MCP2542WFD/4WFD devices transition from Unpowered mode to Wake mode when VDD and VIO are above their PORH levels. From Normal mode, the devices will also enter Wake mode if VDD is smaller than VUVL, or if the band gap output voltage is not within valid range. Additionally, the device will transition from Standby mode to Wake mode if STBY is pulled low.

In Wake mode, the CAN bus is biased to ground and RXD is always high.

1.6.3 NORMAL MODE

When VDD exceeds VUVH, the band gap is within valid range and TXD is high; the device transitions into Normal mode. During POR, when the microcontroller powers up, the TXD pin could be unintentionally pulled down by the microcontroller powering up. To avoid driving the bus during a POR of the microcontroller, the transceiver proceeds to Normal mode only after TXD is high.

In Normal mode, the driver block is operational and can drive the bus pins. The slopes of the output signals on CANH and CANL are optimized to reduce Electro-magnetic Emissions (EME). The CAN bus is biased to VDD/2.

The high-speed differential receiver is active.

1.6.4 STANDBY MODE

The device may be placed in Standby mode by applying a high level to the STBY pin. In Standby mode, the transmitter and the high-speed part of the receiver are switched off to minimize power consumption.

The low-power receiver and the wake-up block are enabled in order to monitor the bus for activity. The CAN bus is biased to ground.

The RXD pin remains high until a wake-up event has occurred.

The MCP2542FD/4FD uses basic wake-up: one dominant phase for a minimum time of tFILTER will wake up the device.

The MCP2542WFD/4WFD will only wake up if it detects a complete WUP. The WUP method is described in the next section.

After a wake-up event was detected, the CAN controller gets interrupted by a negative edge on the RXD pin.

The CAN controller must put the MCP2542FD/4FD and MCP2542WFD/4WFD back into Normal mode by deasserting the STBY pin in order to enable high-speed data communication.

The CAN bus wake-up function requires both supply voltages, VDD and VIO, to be in valid range.

1.6.5 REMOTE WAKE-UP VIA CAN BUS (WUP)

The MCP2542WFD/4WFD wakes up from Standby/Silent mode when a dedicated Wake-up Pattern (WUP) is detected on the CAN bus. The Wake-up Pattern is specified in ISO 11898-6 and ISO 11898-2:2016 (see Figure 1-2 and Figure 2-11).

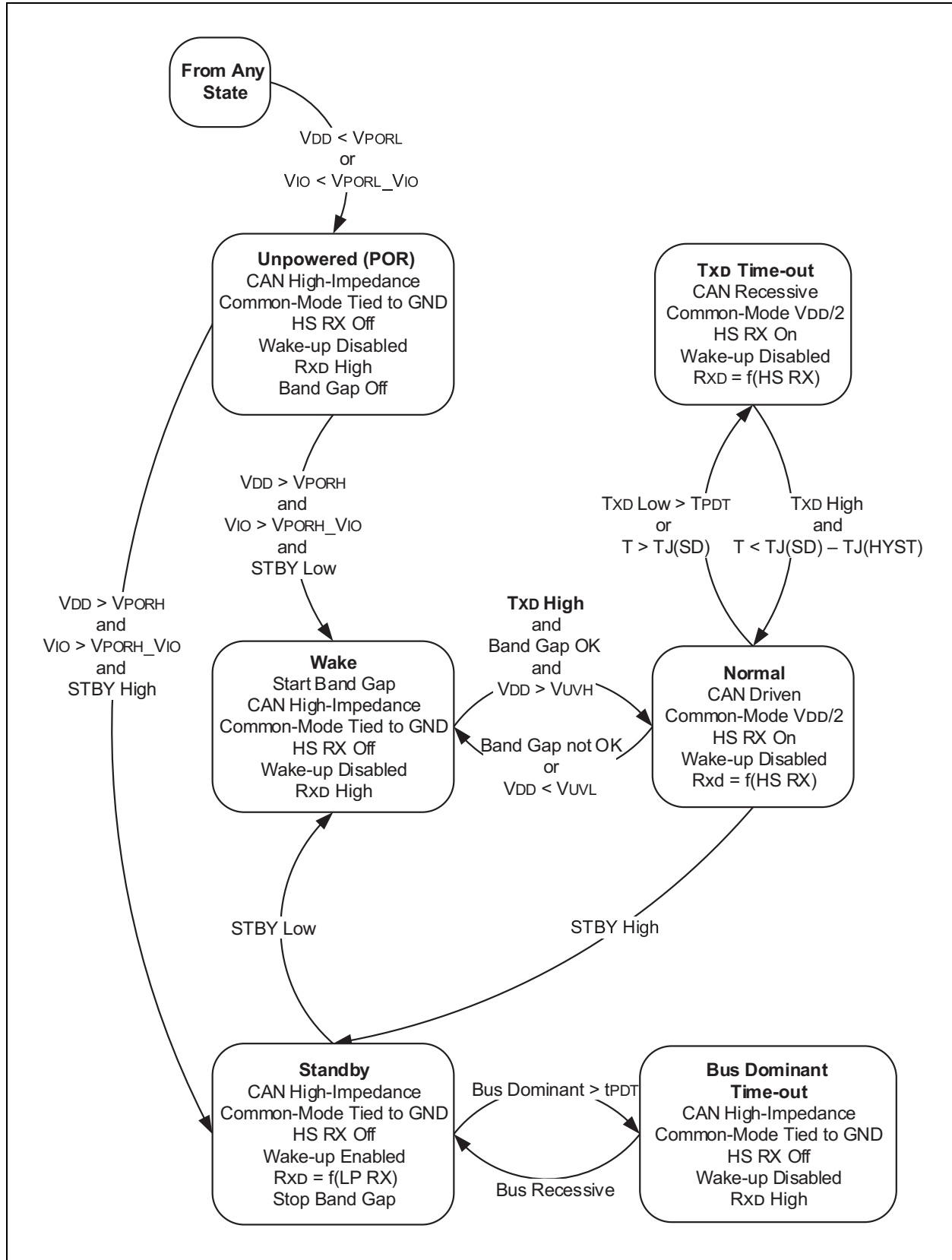
The Wake-up Pattern consists of three events:

- A dominant phase of at least tFILTER, followed by
- A recessive phase of at least tFILTER, followed by
- A dominant phase of at least tFILTER

The complete pattern must be received within tWAKE(TO). Otherwise, the internal wake-up logic is reset and the complete Wake-up Pattern must be retransmitted in order to trigger a wake-up event.

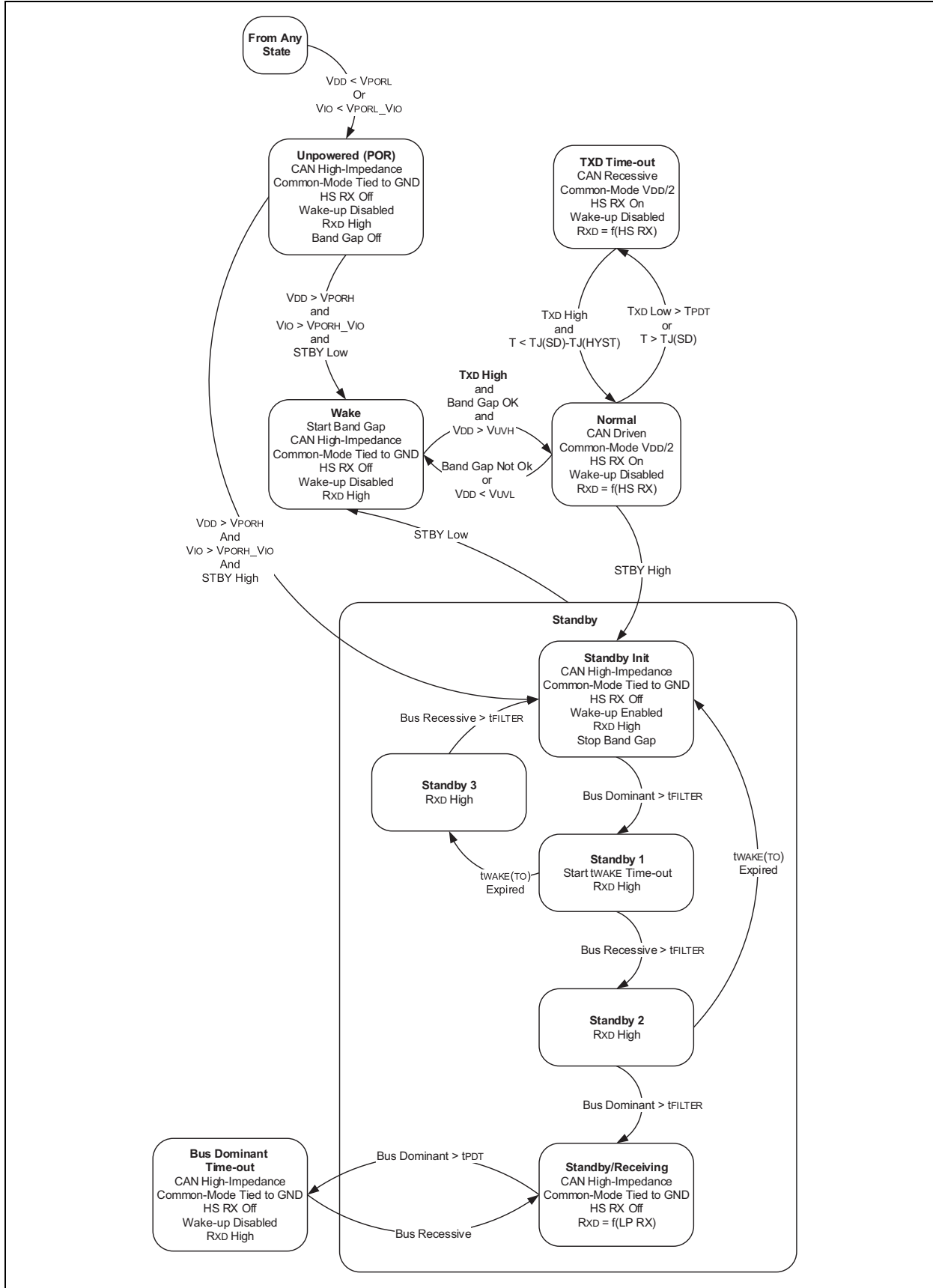
MCP2542FD/4FD, MCP2542WFD/4WFD

FIGURE 1-1: MCP2542FD/4FD STATE DIAGRAM: BASIC WAKE-UP



MCP2542FD/4FD, MCP2542WFD/4WFD

FIGURE 1-2: MCP2542WFD/4WFD STATE DIAGRAM: WAKE-UP PATTERN



MCP2542FD/4FD, MCP2542WFD/4WFD

1.7 Pin Descriptions

The description of the pins are listed in [Table 1-1](#).

TABLE 1-1: MCP2542/4FD AND MCP2542/4WFD PIN DESCRIPTIONS

| MCP2542FD MCP2542WFD 3x3 DFN, 2x3 TDFN | MCP2542FD MCP2542WFD SOIC | MCP2544FD MCP2544WFDT 3x3 DFN, 2x3 TDFN | MCP2544FD MCP2544WFDT SOIC | Symbol | Pin Function |
|---|---------------------------------|--|----------------------------------|--------|----------------------------|
| 1 | 1 | 1 | 1 | TxD | Transmit Data Input |
| 2 | 2 | 2 | 2 | VSS | Ground |
| 3 | 3 | 3 | 3 | VDD | Supply Voltage |
| 4 | 4 | 4 | 4 | RxD | Receive Data Output |
| — | — | 5 | 5 | NC | No Connect |
| 5 | 5 | — | — | VIO | Digital I/O Supply Pin |
| 6 | 6 | 6 | 6 | CANL | CAN Low-Level Voltage I/O |
| 7 | 7 | 7 | 7 | CANH | CAN High-Level Voltage I/O |
| 8 | 8 | 8 | 8 | STBY | Standby Mode Input |
| 9 | — | 9 | — | EP | Exposed Thermal Pad |

1.7.1 TRANSMITTER DATA INPUT PIN (TxD)

The CAN transceiver drives the differential output pins, CANH and CANL, according to TxD. It is usually connected to the transmitter data output of the CAN controller device. When TxD is low, CANH and CANL are in the Dominant state. When TxD is high, CANH and CANL are in the Recessive state, provided that another CAN node is not driving the CAN bus with a Dominant state. TxD is connected from an internal pull-up resistor (nominal 33 k Ω) to VIO in the MCP2542FD and MCP2542WFD, and to VDD in the MCP2544FD and MCP2544WFDT.

1.7.2 GROUND SUPPLY PIN (VSS)

Ground supply pin.

1.7.3 SUPPLY VOLTAGE PIN (VDD)

Positive supply voltage pin. Supplies transmitter and receiver, including the wake-up receiver.

1.7.4 RECEIVER DATA OUTPUT PIN (RxD)

RxD is a CMOS-compatible output that drives high or low depending on the differential signals on the CANH and CANL pins, and is usually connected to the receiver data input of the CAN controller device. RxD is high when the CAN bus is Recessive and low in the Dominant state. RxD is supplied by VIO in the MCP2542FD and MCP2542WFD, and by VDD in the MCP2544FD and MCP2544WFDT.

1.7.5 NC PIN (MCP2544FD AND MCP2544WFDT)

No Connect. This pin can be left open or connected to VSS.

1.7.6 VIO PIN (MCP2542FD AND MCP2542WFD)

Supply for digital I/O pins. In the MCP2544FD and MCP2544WFDT, the supply for the digital I/O (TxD, RxD and STBY) is internally connected to VDD.

1.7.7 DIGITAL I/O

The MCP2542FD/4FD and MCP2542WFD/4WFD enable easy interfacing to MCU with I/O ranges from 1.8V to 5V.

1.7.7.1 MCP2544FD and MCP2544WFDT

The VIH(MIN) and VIL(MAX) for STBY and TxD are independent of VDD. They are set at levels that are compatible with 3V and 5V microcontrollers.

The RxD pin is always driven to VDD, therefore, a 3V microcontroller will need a 5V tolerant input.

1.7.7.2 MCP2542FD and MCP2542WFD

VIH and VIL for STBY and TxD depend on VIO. The RxD pin is driven to VIO.

MCP2542FD/4FD, MCP2542WFD/4WFD

1.7.8 CAN LOW PIN (CANL)

The CANL output drives the low side of the CAN differential bus. This pin is also tied internally to the receive input comparator. CANL disconnects from the bus when MCP2542FD/4FD and MCP2542WFD/4WFD are not powered.

1.7.9 CAN HIGH PIN (CANH)

The CANH output drives the high side of the CAN differential bus. This pin is also tied internally to the receive input comparator. CANH disconnects from the bus when MCP2542FD/4FD and MCP2542WFD/4WFD are not powered.

1.7.10 STANDBY MODE INPUT PIN (STBY)

This pin selects between Normal or Standby mode. In Standby mode, the transmitter and high-speed receiver are turned off, only the low-power receiver and wake-up filter are active. STBY is connected from an internal MOS pull-up resistor to V_{IO} in the MCP2542FD and MCP2542WFD, and to V_{DD} in the MCP2544FD and MCP2544WFD. The value of the MOS pull-up resistor depends on the supply voltage. Typical values are 660 k Ω for 5V, 1.1 M Ω for 3.3V and 4.4 M Ω for 1.8V.

1.7.11 EXPOSED THERMAL PAD (EP)

It is recommended to connect this pad to V_{SS} to enhance electromagnetic immunity and thermal resistance.

MCP2542FD/4FD, MCP2542WFD/4WFD

1.8 Typical Applications

In order to meet the EMC/EMI requirements, a Common-Mode Choke (CMC) may be required for data rates greater than 1 Mbps. [Figure 1-3](#) and [Figure 1-4](#) illustrate examples of typical applications of the devices.

FIGURE 1-3: MCP2544WFD WITH NC AND SPLIT TERMINATION

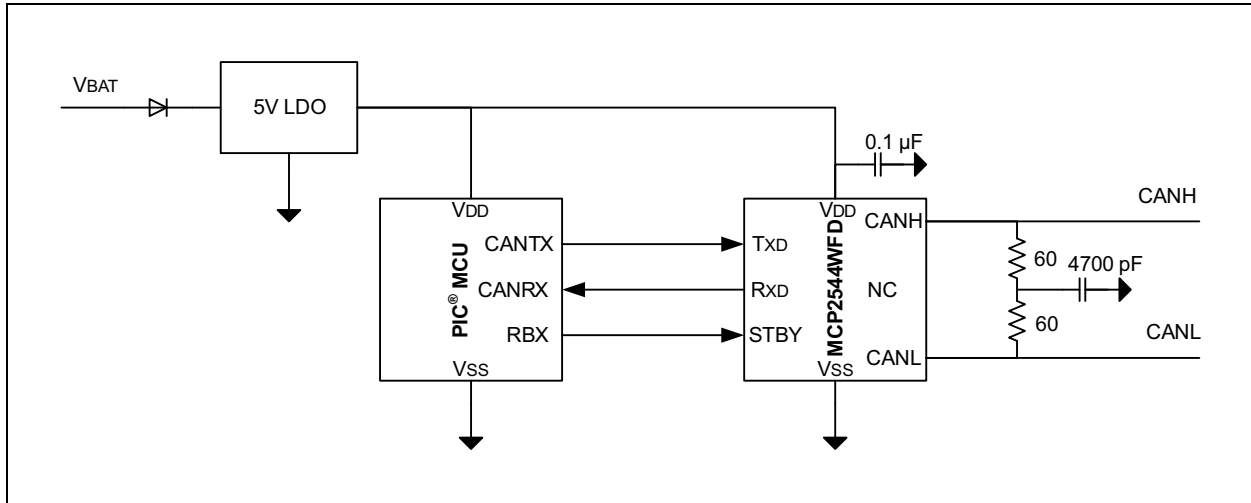
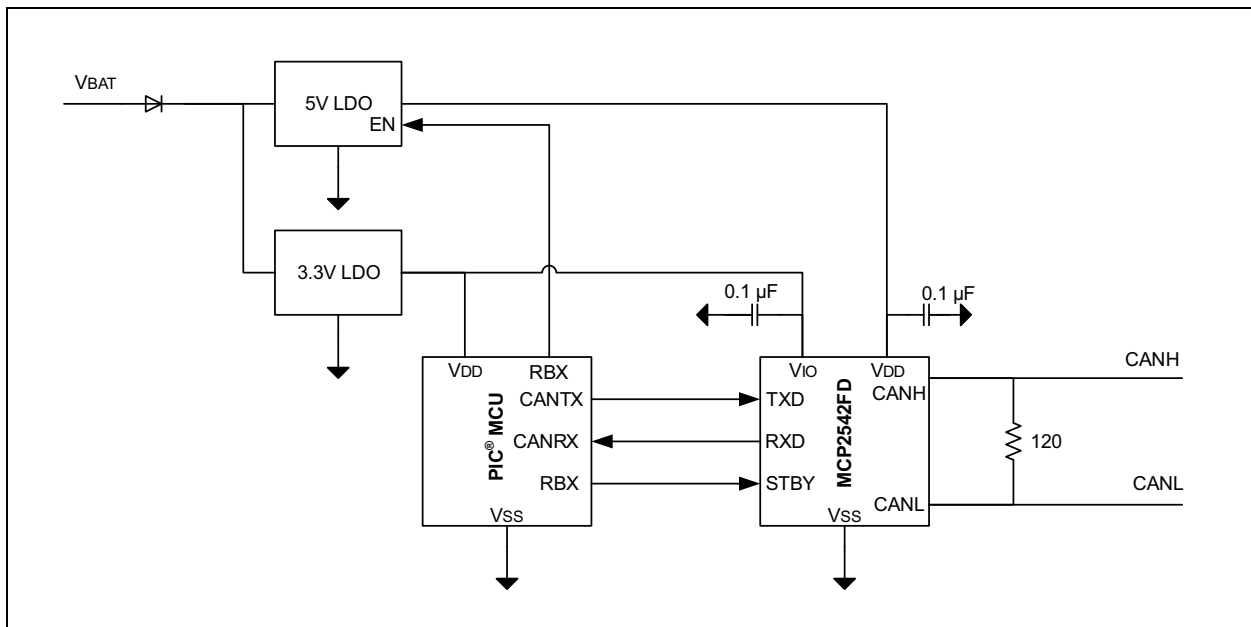


FIGURE 1-4: MCP2542FD WITH V_{IO} PIN



MCP2542FD/4FD, MCP2542WFD/4WFD

NOTES:

MCP2542FD/4FD, MCP2542WFD/4WFD

2.0 ELECTRICAL CHARACTERISTICS

2.1 Terms and Definitions

A number of terms are defined in ISO 11898 that are used to describe the electrical characteristics of a CAN transceiver device. These terms and definitions are summarized in this section.

2.1.1 BUS VOLTAGE

V_{CANL} and V_{CANH} denote the voltages of the bus line wires, CANL and CANH, relative to the ground of each individual CAN node.

2.1.2 COMMON-MODE BUS VOLTAGE RANGE

Boundary voltage levels of V_{CANL} and V_{CANH} , with respect to ground, for which proper operation will occur if up to the maximum number of CAN nodes are connected to the bus.

2.1.3 DIFFERENTIAL INTERNAL CAPACITANCE, C_{DIFF} (OF A CAN NODE)

Capacitance seen between CANL and CANH during the Recessive state when the CAN node is disconnected from the bus (see [Figure 2-1](#)).

2.1.4 DIFFERENTIAL INTERNAL RESISTANCE, R_{DIFF} (OF A CAN NODE)

Resistance seen between CANL and CANH during the Recessive state when the CAN node is disconnected from the bus (see [Figure 2-1](#)).

2.1.5 DIFFERENTIAL VOLTAGE, V_{DIFF} (OF CAN BUS)

Differential voltage of the two-wire CAN bus with value equal to $V_{DIFF} = V_{CANH} - V_{CANL}$.

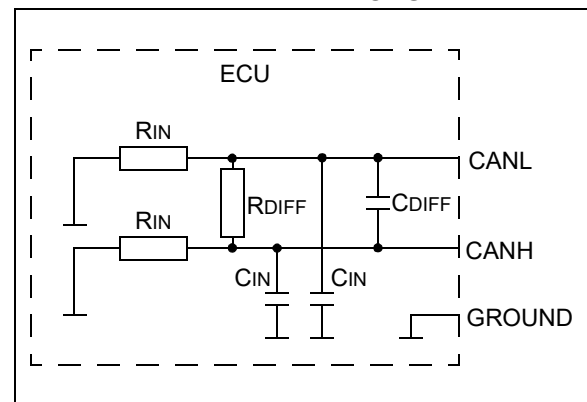
2.1.6 INTERNAL CAPACITANCE, C_{IN} (OF A CAN NODE)

Capacitance seen between CANL (or CANH) and ground during the Recessive state when the CAN node is disconnected from the bus (see [Figure 2-1](#)).

2.1.7 INTERNAL RESISTANCE, R_{IN} (OF A CAN NODE)

Resistance seen between CANL (or CANH) and ground during the Recessive state when the CAN node is disconnected from the bus (see [Figure 2-1](#)).

FIGURE 2-1: PHYSICAL LAYER DEFINITIONS



MCP2542FD/4FD, MCP2542WFD/4WFD

2.2 Absolute Maximum Ratings†

| | |
|---|---------------------|
| VDD | 7.0V |
| VIO | 7.0V |
| DC Voltage at TXD, RXD, STBY and VSS | -0.3V to VIO + 0.3V |
| DC Voltage at CANH and CANL | -58V to +58V |
| Transient Voltage on CANH and CANL (ISO-7637) (Figure 2-5) | -150V to +100V |
| Differential Bus Input Voltage VDIFF(I) (t = 60 days, continuous) | -5V to +10V |
| Differential Bus Input Voltage VDIFF(I) (1000 pulses, t = 0.1 ms, VCANH = +18V) | +17V |
| Dominant State Detection VDIFF(I) (10000 pulses, t = 1 ms) | +9V |
| Storage Temperature | -55°C to +150°C |
| Operating Ambient Temperature | -40°C to +150°C |
| Virtual Junction Temperature, TVJ (IEC 60747-1) | -40°C to +190°C |
| Soldering Temperature of Leads (10 seconds) | +300°C |
| ESD Protection on CANH and CANL Pins (IEC 61000-4-2) | ±13 kV |
| ESD Protection on CANH and CANL Pins (IEC 801; Human Body Model) | ±8 kV |
| ESD Protection on All Other Pins (IEC 801; Human Body Model) | ±4 kV |
| ESD Protection on All Pins (IEC 801; Machine Model) | ±400V |
| ESD Protection on All Pins (IEC 801; Charge Device Model) | ±750V |

† **Notice:** Stresses above those listed under “Maximum ratings” may cause permanent damage to the device. This is a stress rating only and functional operation of the device at those or any other conditions above those indicated in the operational listings of this specification is not implied. Exposure to maximum rating conditions for extended periods may affect device reliability.

MCP2542FD/4FD, MCP2542WFD/4WFD

TABLE 2-1: DC CHARACTERISTICS

| DC Specifications | | Electrical Characteristics: Unless otherwise indicated, Extended (E): T _{AMB} = -40°C to +125°C and High (H): T _{AMB} = -40°C to +150°C; V _{DD} = 4.5V to 5.5V; V _{IO} = 1.7V to 5.5V (Note 2); R _L = 60Ω; C _L = 100 pF; unless otherwise specified. | | | | |
|--|-----------------------|--|---------------------|-------------|--------------|---|
| Parameter | Sym. | Min. | Typ. | Max. | Units | Conditions |
| Supply | | | | | | |
| VDD Pin | | | | | | |
| Voltage Range | V _{DD} | 4.5 | — | 5.5 | V | |
| Supply Current | I _{DD} | — | 2.5 | 5 | mA | Recessive, V _{TXD} = V _{DD} |
| | | — | 55 | 70 | | Dominant, V _{TXD} = 0V |
| Standby Current | I _{DDS} | — | 4 | 15 | μA | MCP2544FD and MCP2544WFDT , bus recessive |
| | | — | 4 | 16 | | MCP2542FD and MCP2542WFD , includes I _{IO} |
| Maximum Supply Current | I _{DDMAX} | — | 95 | 140 | mA | Fault condition: V _{TXD} = V _{SS} , V _{CANH} = V _{CANL} = -5V to +18V (Note 1) |
| High Level of the POR Comparator for V _{DD} | V _{PORH} | — | 3.0 | 3.95 | V | Note 1 |
| Low Level of the POR Comparator for V _{DD} | V _{PORL} | 1.0 | 2.0 | 3.2 | V | Note 1 |
| Hysteresis of POR Comparator for V _{DD} | V _{PORD} | 0.2 | 0.9 | 2.0 | V | Note 1 |
| High Level of the UV Comparator for V _{DD} | V _{UVH} | 4.0 | 4.25 | 4.4 | V | |
| Low Level of the UV Comparator for V _{DD} | V _{UVL} | 3.6 | 3.8 | 4.0 | V | |
| Hysteresis of UV Comparator | V _{UVD} | — | 0.4 | — | V | Note 1 |
| VIO Pin | | | | | | |
| Digital Supply Voltage Range | V _{IO} | 1.7 | — | 5.5 | V | |
| Supply Current on V _{IO} | I _{IO} | — | 7 | 20 | μA | Recessive, V _{TXD} = V _{IO} |
| | | — | 200 | 400 | | Dominant, V _{TXD} = 0V |
| Standby Current | I _{DDS} | — | 0.3 | 2 | μA | Bus recessive (Note 1) |
| High Level of the POR Comparator for V _{IO} | V _{PORH_VIO} | 0.8 | 1.2 | 1.7 | V | |
| Low Level of the POR Comparator for V _{IO} | V _{PORL_VIO} | 0.7 | 1.1 | 1.4 | V | |
| Hysteresis of POR Comparator for V _{IO} | V _{PORD_VIO} | — | 0.2 | — | V | |
| Bus Line (CANH; CANL) Transmitter | | | | | | |
| CANH; CANL: Recessive Bus Output Voltage | V _{O(R)} | 2.0 | 0.5 V _{DD} | 3.0 | V | V _{TXD} = V _{DD} , no load |

Note 1: Characterized; not 100% tested.

2: Only MCP2542FD and MCP2542WFD have a V_{IO} pin. For the MCP2544FD and MCP2544WFDT, V_{IO} is internally connected to V_{DD}.

3: -12V to 12V is ensured by characterization and tested from -2V to 7V.

MCP2542FD/4FD, MCP2542WFD/4WFD

TABLE 2-1: DC CHARACTERISTICS (CONTINUED)

| DC Specifications | | Electrical Characteristics: Unless otherwise indicated, Extended (E): T _{AMB} = -40°C to +125°C and High (H): T _{AMB} = -40°C to +150°C; V _{DD} = 4.5V to 5.5V; V _{IO} = 1.7V to 5.5V (Note 2); R _L = 60Ω; C _L = 100 pF; unless otherwise specified. | | | | |
|--|-------------------------|--|-------------|-------------|--------------|---|
| Parameter | Sym. | Min. | Typ. | Max. | Units | Conditions |
| CANH; CANL: Bus Output Voltage in Standby | V _{O(S)} | -0.1 | 0.0 | +0.1 | V | STBY = V _{TXD} = V _{DD} , no load |
| Recessive Output Current | I _{O(R)} | -5 | — | +5 | mA | -24V < V _{CAN} < +24V |
| CANH: Dominant Output Voltage | V _{O(D)} | 2.75 | 3.50 | 4.50 | V | T _{XD} = 0, R _L = 50 to 65Ω |
| CANL: Dominant Output Voltage | | 0.50 | 1.50 | 2.25 | | R _L = 50Ω to 65Ω |
| Driver Symmetry (V _{CANH} + V _{CANL})/V _{DD} | V _{SYM} | 0.9 | 1.0 | 1.1 | V | 1 MHz square wave, Recessive and Dominant states, and transition (Note 1) |
| Dominant: Differential Output Voltage | V _{O(DIFF)(D)} | 1.5 | 2.0 | 3.0 | V | V _{TXD} = V _{SS} , R _L = 50Ω to 65Ω (Figure 2-2, Figure 2-4, Section 3.0 “Typical Performance Curves”) (Note 1) |
| | | 1.4 | 2.0 | 3.3 | | V _{TXD} = V _{SS} , R _L = 45Ω to 70Ω (Figure 2-2, Figure 2-4, Section 3.0 “Typical Performance Curves”) (Note 1) |
| | | 1.3 | 2.0 | 3.3 | | V _{TXD} = V _{SS} , R _L = 40Ω to 75Ω (Figure 2-2, Figure 2-4) |
| | | 1.5 | — | 5.0 | | V _{TXD} = V _{SS} , R _L = 2240Ω (Figure 2-2, Figure 2-4, Section 3.0 “Typical Performance Curves”) (Note 1) |
| Recessive: Differential Output Voltage | V _{O(DIFF)(R)} | -500 | 0 | 50 | mV | V _{TXD} = V _{DD} , no load, normal (Figure 2-2, Figure 2-4) |
| | V _{O(DIFF)(S)} | -200 | 0 | 200 | | V _{TXD} = V _{DD} , no load, standby (Figure 2-2, Figure 2-4) |
| CANH: Short-Circuit Output Current | I _{O(SC)} | -115 | -85 | — | mA | V _{TXD} = V _{SS} , V _{CANH} = -3V, CANL: floating |
| CANL: Short-Circuit Output Current | | — | 75 | +115 | mA | V _{TXD} = V _{SS} , V _{CANL} = +18V, CANH: floating |
| Bus Line (CANH; CANL) Receiver | | | | | | |
| Recessive Differential Input Voltage | V _{DIFF(R)(I)} | -4.0 | — | +0.5 | V | Normal mode, -12V < V(CANH, CANL) < +12V, see Figure 2-6 (Note 3) |
| | | -4.0 | — | +0.4 | | Standby mode, -12V < V(CANH, CANL) < +12V, see Figure 2-6 (Note 3) |

Note 1: Characterized; not 100% tested.

Note 2: Only MCP2542FD and MCP2542WFD have a V_{IO} pin. For the MCP2544FD and MCP2544WFDT, V_{IO} is internally connected to V_{DD}.

Note 3: -12V to 12V is ensured by characterization and tested from -2V to 7V.

MCP2542FD/4FD, MCP2542WFD/4WFD

TABLE 2-1: DC CHARACTERISTICS (CONTINUED)

| DC Specifications | | Electrical Characteristics: Unless otherwise indicated, Extended (E): T _{AMB} = -40°C to +125°C and High (H): T _{AMB} = -40°C to +150°C; V _{DD} = 4.5V to 5.5V; V _{IO} = 1.7V to 5.5V (Note 2); R _L = 60Ω; C _L = 100 pF; unless otherwise specified. | | | | |
|---|--|--|-------------|-----------------------|--------------|---|
| Parameter | Sym. | Min. | Typ. | Max. | Units | Conditions |
| Dominant Differential Input Voltage | V _{DIFF(D)} (I) | 0.9 | — | 9.0 | V | Normal mode, -12V < V(CANH, CANL) < +12V, see Figure 2-6 (Note 3) |
| | | 1.1 | — | 9.0 | | Standby mode, -12V < V(CANH, CANL) < +12V, see Figure 2-6 (Note 3) |
| Differential Receiver Threshold | V _{TH} (DIFF) | 0.5 | 0.7 | 0.9 | V | Normal mode, -12V < V(CANH, CANL) < +12V, see Figure 2-6 (Note 3) |
| | | 0.4 | 0.7 | 0.9 | | Standby mode, -12V < V(CANH, CANL) < +12V, see Figure 2-6 (Note 3) |
| Differential Input Hysteresis | V _{HYS} (DIFF) | 30 | — | 200 | mV | Normal mode, see Figure 2-6 (Note 1) |
| Single-Ended Input Resistance | R _{CAN_H} , R _{CAN_L} | 6 | — | 50 | kΩ | Note 1 |
| Internal Resistance Matching mR = 2 * (R _{CANH} - R _{CANL}) / (R _{CANH} + R _{CANL}) | mR | -3 | 0 | +3 | % | V _{CANH} = V _{CANL} (Note 1) |
| Differential Input Resistance | R _{DIFF} | 12 | 25 | 100 | kΩ | Note 1 |
| Internal Capacitance | C _{IN} | — | 20 | — | pF | 1 Mbps (Note 1) |
| Differential Internal Capacitance | C _{DIFF} | — | 10 | — | pF | 1 Mbps (Note 1) |
| CANH, CANL: Input Leakage | I _{LI} | -5 | — | +5 | μA | V _{DD} = V _{TXD} = V _{STBY} = 0V, for MCP2542FD and MCP2542WFD , V _{IO} = 0V, V _{CANH} = V _{CANL} = 5 V |
| Digital Input Pins (TXD, STBY) | | | | | | |
| High-Level Input Voltage | V _{IH} | 2.0 | — | V _{DD} + 0.3 | V | MCP2544FD and MCP2544WFDT |
| | | 0.7 V _{IO} | — | V _{IO} + 0.3 | | MCP2542FD and MCP2542WFD |
| Low-Level Input Voltage | V _{IL} | -0.3 | — | 0.8 | V | MCP2544FD and MCP2544WFDT |
| | | -0.3 | — | 0.3 V _{IO} | | MCP2542FD and MCP2542WFD |
| High-Level Input Current | I _{IH} | -1 | — | +1 | μA | |
| TXD: Low-Level Input Current | I _{IL} (TXD) | -270 | -150 | -30 | μA | |
| STBY: Low-Level Input Current | I _{IL} (STBY) | -30 | — | -1 | μA | |

Note 1: Characterized; not 100% tested.

2: Only MCP2542FD and MCP2542WFD have a V_{IO} pin. For the MCP2544FD and MCP2544WFDT, V_{IO} is internally connected to V_{DD}.

3: -12V to 12V is ensured by characterization and tested from -2V to 7V.

MCP2542FD/4FD, MCP2542WFD/4WFD

TABLE 2-1: DC CHARACTERISTICS (CONTINUED)

| DC Specifications | | Electrical Characteristics: Unless otherwise indicated, Extended (E): T _{AMB} = -40°C to +125°C and High (H): T _{AMB} = -40°C to +150°C; V _{DD} = 4.5V to 5.5V; V _{IO} = 1.7V to 5.5V (Note 2); R _L = 60Ω; C _L = 100 pF; unless otherwise specified. | | | | |
|----------------------------------|----------------------|--|------|------|-------|--|
| Parameter | Sym. | Min. | Typ. | Max. | Units | Conditions |
| Receive Data (RxD) Output | | | | | | |
| High-Level Output Voltage | V _{OH} | V _{DD} - 0.4 | — | — | V | MCP2544FD and MCP2544WFDT : I _{OH} = -2 mA, typical -4 mA |
| | | V _{IO} - 0.4 | — | — | | MCP2542FD and MCP2542WFD : V _{IO} = 2.7V to 5.5V, I _{OH} = -1 mA, V _{IO} = 1.7V to 2.7V, I _{OH} = -0.5 mA, typical -2 mA |
| Low-Level Output Voltage | V _{OL} | — | — | 0.4 | V | I _{OL} = 4 mA, typical 8 mA |
| Thermal Shutdown | | | | | | |
| Shutdown Junction Temperature | T _{J(SD)} | 165 | 175 | 185 | °C | -12V < V(CANH, CANL) < +12V (Note 1) |
| Shutdown Temperature Hysteresis | T _{J(HYST)} | 15 | — | 30 | °C | -12V < V(CANH, CANL) < +12V (Note 1) |

Note 1: Characterized; not 100% tested.

Note 2: Only MCP2542FD and MCP2542WFD have a V_{IO} pin. For the MCP2544FD and MCP2544WFDT, V_{IO} is internally connected to V_{DD}.

Note 3: -12V to 12V is ensured by characterization and tested from -2V to 7V.

MCP2542FD/4FD, MCP2542WFD/4WFD

FIGURE 2-2: PHYSICAL BIT REPRESENTATION AND SIMPLIFIED BIAS IMPLEMENTATION

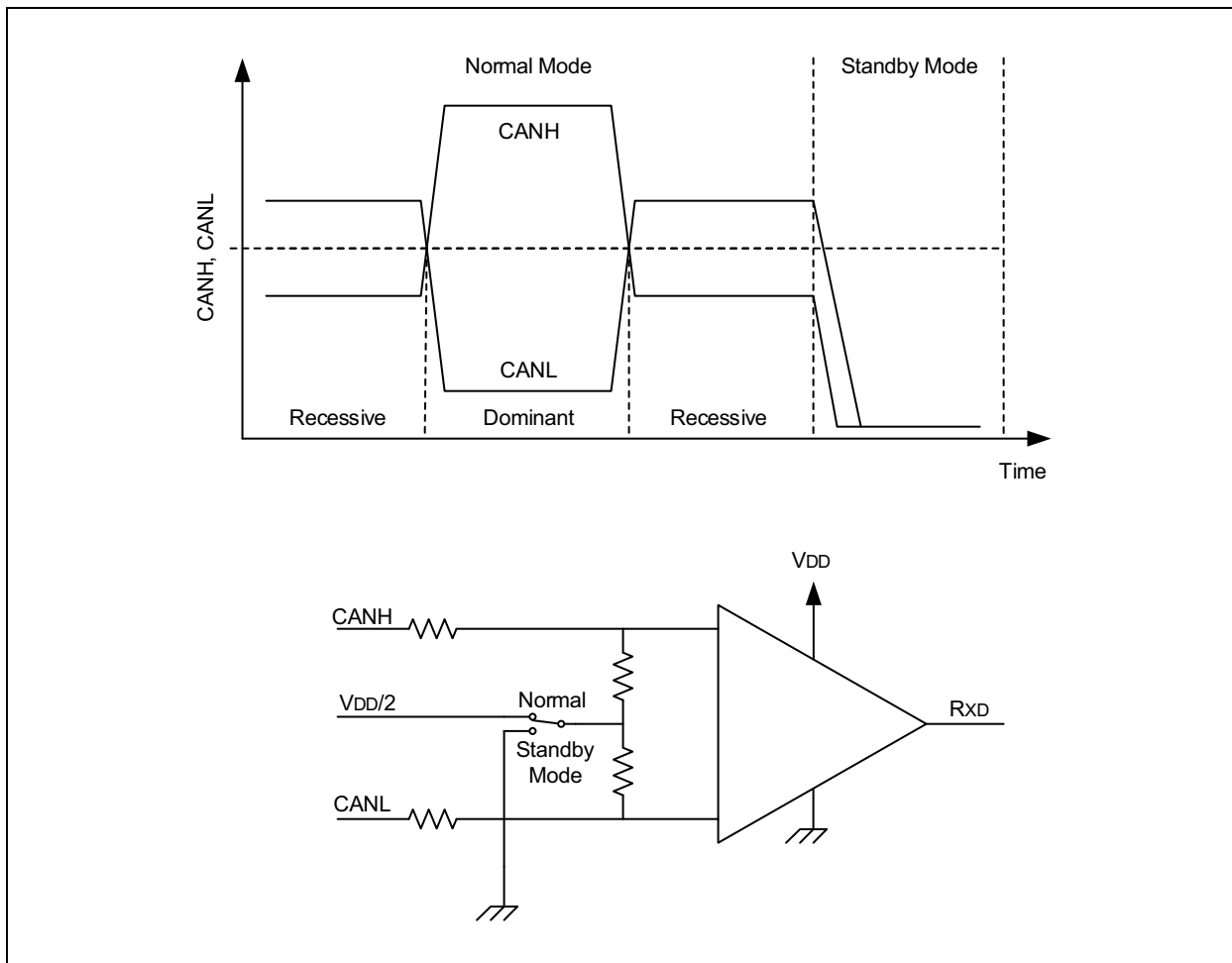


TABLE 2-2: AC CHARACTERISTICS

| AC Characteristics | | Electrical Characteristics: Unless otherwise indicated, Extended (E): T _{AMB} = -40°C to +125°C and High (H): T _{AMB} = -40°C to +150°C; V _{DD} = 4.5V to 5.5V; V _{IO} = 1.7V to 5.5V (Note 2); R _L = 60Ω; C _L = 100 pF; Maximum V _{DIFF(D)} (I) = 3V. | | | | | |
|--------------------|---------------------------------|---|-------|------|-------|-------|------------|
| Param. No. | Parameter | Sym. | Min. | Typ. | Max. | Units | Conditions |
| 1 | Bit Time | t _{BIT} | 0.125 | — | 69.44 | μs | |
| 2 | Nominal Bit Rate | NBR | 14.4 | — | 8000 | kbps | |
| 3 | Delay TXD Low to Bus Dominant | t _{TXD-BUSON} | — | 50 | 85 | ns | Note 1 |
| 4 | Delay TXD High to Bus Recessive | t _{TXD-BUSOFF} | — | 40 | 85 | ns | Note 1 |
| 5 | Delay Bus Dominant to RXD | t _{BUSON-RXD} | — | 70 | 85 | ns | Note 1 |
| 6 | Delay Bus Recessive to RXD | t _{BUSOFF-RXD} | — | 110 | 145 | ns | Note 1 |

Note 1: Characterized, not 100% tested.

2: Only MCP2542FD and MCP2542WFD have a V_{IO} pin. For the MCP2544FD and MCP2544WFD, V_{IO} is internally connected to V_{DD}.

3: Characterized. Not in ISO 11898-2:2016.

MCP2542FD/4FD, MCP2542WFD/4WFD

TABLE 2-2: AC CHARACTERISTICS (CONTINUED)

| AC Characteristics | | Electrical Characteristics: Unless otherwise indicated, Extended (E): T _{AMB} = -40°C to +125°C and High (H): T _{AMB} = -40°C to +150°C; V _{DD} = 4.5V to 5.5V; V _{IO} = 1.7V to 5.5V (Note 2); R _L = 60Ω; C _L = 100 pF; Maximum V _{DIFF(D)} (I) = 3V. | | | | | |
|--------------------|--|--|------|------|------|-------|---|
| Param. No. | Parameter | Sym. | Min. | Typ. | Max. | Units | Conditions |
| 7 | Propagation Delay TXD to RXD Worst Case of t _{LOOP(R)} and t _{LOOP(F)} ; see Figure 2-10 | t _{TXD – RXD} | — | 90 | 120 | ns | R _L = 150Ω, C _L = 200 pF (Note 1) |
| | | | — | 115 | 150 | | |
| 7a | Propagation Delay, Rising Edge | t _{LOOP(R)} | — | 90 | 120 | ns | |
| 7b | Propagation Delay, Falling Edge | t _{LOOP(F)} | — | 80 | 120 | ns | |
| 8a | Recessive Bit Time on RXD – 1 Mbps, Loop Delay Symmetry (Note 3) | t _{BIT(RXD)} , 1M | 900 | 985 | 1100 | ns | t _{BIT(TXD)} = 1000 ns (Figure 2-10) |
| | | | 800 | 960 | 1255 | | t _{BIT(TXD)} = 1000 ns (Figure 2-10), R _L = 150Ω, C _L = 200 pF (Note 1) |
| 8b | Recessive Bit Time on RXD – 2 Mbps, Loop Delay Symmetry | t _{BIT(RXD)} , 2M | 450 | 490 | 550 | ns | t _{BIT(TXD)} = 500 ns (Figure 2-10) |
| | | | 400 | 460 | 550 | | t _{BIT(TXD)} = 500 ns (Figure 2-10), R _L = 150Ω, C _L = 200 pF (Note 1) |
| 8c | Recessive Bit Time on RXD – 5 Mbps, Loop Delay Symmetry | t _{BIT(RXD)} , 5M | 160 | 190 | 220 | ns | t _{BIT(TXD)} = 200 ns (Figure 2-10) |
| 8d | Recessive Bit Time on RXD – 8 Mbps, Loop Delay Symmetry (Note 3) | t _{BIT(RXD)} , 8M | 85 | 100 | 135 | ns | t _{BIT(TXD)} = 120 ns (Figure 2-10) (Note 1) |
| 9 | CAN Activity Filter Time (Standby) | t _{FILTER} | 0.5 | 1.7 | 3.6 | μs | V _{DIFF(D)} (I) = 1.2V to 3V |
| 10 | Delay Standby to Normal Mode | t _{WAKE} | — | 7 | 30 | μs | Negative edge on STBY |
| 11 | Permanent Dominant Detect Time | t _{PDT} | 0.8 | 1.9 | 5 | ms | TXD = 0V |
| 12 | Permanent Dominant Timer Reset | t _{PDTR} | — | 5 | — | ns | The shortest recessive pulse on TXD or CAN bus to reset permanent dominant timer |

Note 1: Characterized, not 100% tested.

Note 2: Only MCP2542FD and MCP2542WFD have a V_{IO} pin. For the MCP2544FD and MCP2544WFD, V_{IO} is internally connected to V_{DD}.

Note 3: Characterized. Not in ISO 11898-2:2016.

MCP2542FD/4FD, MCP2542WFD/4WFD

TABLE 2-2: AC CHARACTERISTICS (CONTINUED)

| AC Characteristics | | Electrical Characteristics: Unless otherwise indicated, Extended (E): T _{AMB} = -40°C to +125°C and High (H): T _{AMB} = -40°C to +150°C; V _{DD} = 4.5V to 5.5V; V _{IO} = 1.7V to 5.5V (Note 2); R _L = 60Ω; C _L = 100 pF; Maximum V _{DIFF(D)} (I) = 3V. | | | | | |
|--------------------|---|---|------|------|------|-------|---|
| Param. No. | Parameter | Sym. | Min. | Typ. | Max. | Units | Conditions |
| 13a | Transmitted Bit Time on Bus – 1 Mbps (Note 3) | t _{BIT} (BUS), 1M | 870 | 1000 | 1060 | ns | t _{BIT} (TXD) = 1000 ns (Figure 2-10) |
| | | | 870 | 1000 | 1060 | | t _{BIT} (TXD) = 1000 ns (Figure 2-10), R _L = 150Ω, C _L = 200 pF (Note 1) |
| 13b | Transmitted Bit Time on Bus – 2 Mbps | t _{BIT} (BUS), 2M | 435 | 515 | 530 | ns | t _{BIT} (TXD) = 500 ns (Figure 2-10) |
| | | | 435 | 480 | 550 | | t _{BIT} (TXD) = 500 ns (Figure 2-10), R _L = 150Ω, C _L = 200 pF (Note 1) |
| 13c | Transmitted Bit Time on Bus – 5 Mbps | t _{BIT} (BUS), 5M | 155 | 200 | 210 | ns | t _{BIT} (TXD) = 200ns (Figure 2-10) (Note 1) |
| 13d | Transmitted Bit Time on Bus – 8 Mbps (Note 3) | t _{BIT} (BUS), 8M | 100 | 125 | 140 | ns | t _{BIT} (TXD) = 120 ns (Figure 2-10) (Note 1) |
| 14a | Receiver Timing Symmetry – 1 Mbps (Note 3) | t _{DIFF} (REC), 1M = t _{BIT} (RXD) – t _{BIT} (BUS) | -65 | 0 | 40 | ns | t _{BIT} (TXD) = 1000 ns (Figure 2-10) |
| | | | -130 | 0 | 80 | | t _{BIT} (TXD) = 1000ns (Figure 2-10), R _L = 150Ω, C _L = 200 pF (Note 1) |
| 14b | Receiver Timing Symmetry – 2 Mbps | t _{DIFF} (REC), 2M | -65 | 0 | 40 | ns | t _{BIT} (TXD) = 500 ns (Figure 2-10) |
| | | | -70 | 0 | 40 | | t _{BIT} (TXD) = 500 ns (Figure 2-10), R _L = 150Ω, C _L = 200 pF (Note 1) |
| 14c | Receiver Timing Symmetry – 5 Mbps | t _{DIFF} (REC), 5M | -45 | 0 | 15 | ns | t _{BIT} (TXD) = 200 ns (Figure 2-10) (Note 1) |
| 14d | Receiver Timing Symmetry – 8 Mbps (Note 3), t _{DIFF} (REC), 8M | t _{DIFF} (REC), 8M | -45 | 0 | 10 | ns | t _{BIT} (TXD) = 120 ns (Figure 2-10) (Note 1) |
| 15 | WUP Time-out | t _{WAKE} (TO) | 1 | 1.9 | 5 | ms | MCP2542WFD/4WFD (Figure 2-11) |
| 16 | Delay Bus Dominant/Recessive to RXD (Standby mode) | t _{BUS-RXD} (S) | — | 0.5 | — | μs | |

Note 1: Characterized, not 100% tested.

2: Only MCP2542FD and MCP2542WFD have a V_{IO} pin. For the MCP2544FD and MCP2544WFD, V_{IO} is internally connected to V_{DD}.

3: Characterized. Not in ISO 11898-2:2016.

MCP2542FD/4FD, MCP2542WFD/4WFD

FIGURE 2-3: TEST LOAD CONDITIONS

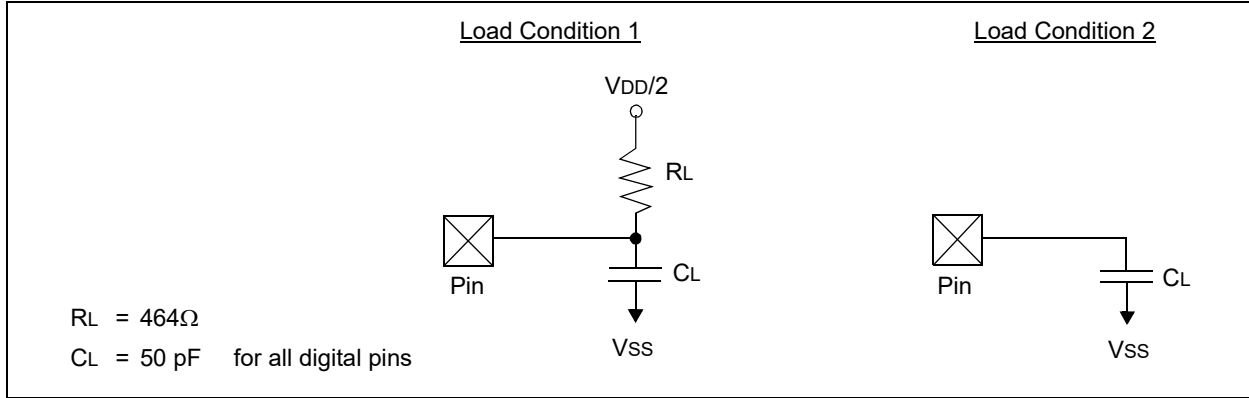


FIGURE 2-4: TEST CIRCUIT FOR ELECTRICAL CHARACTERISTICS

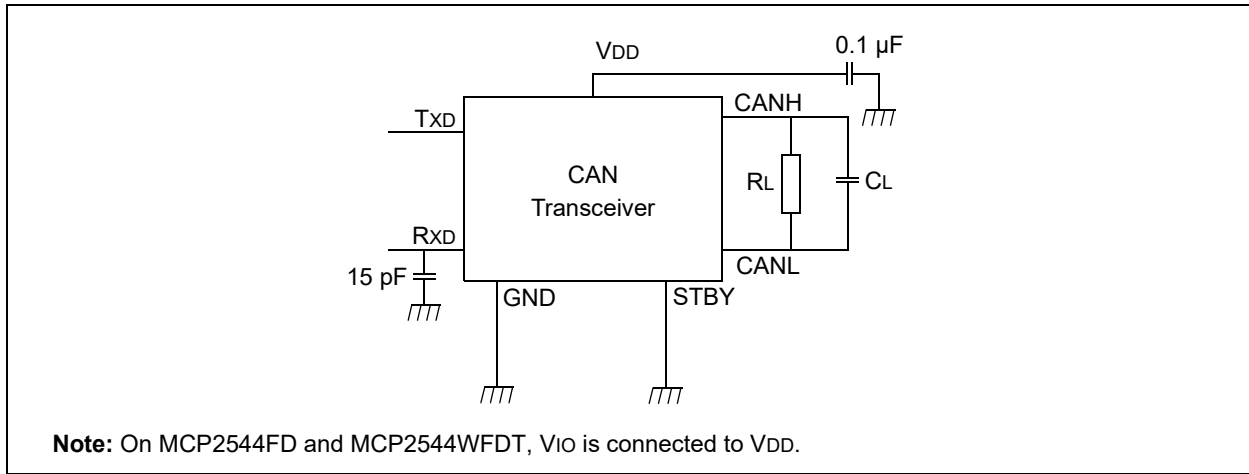
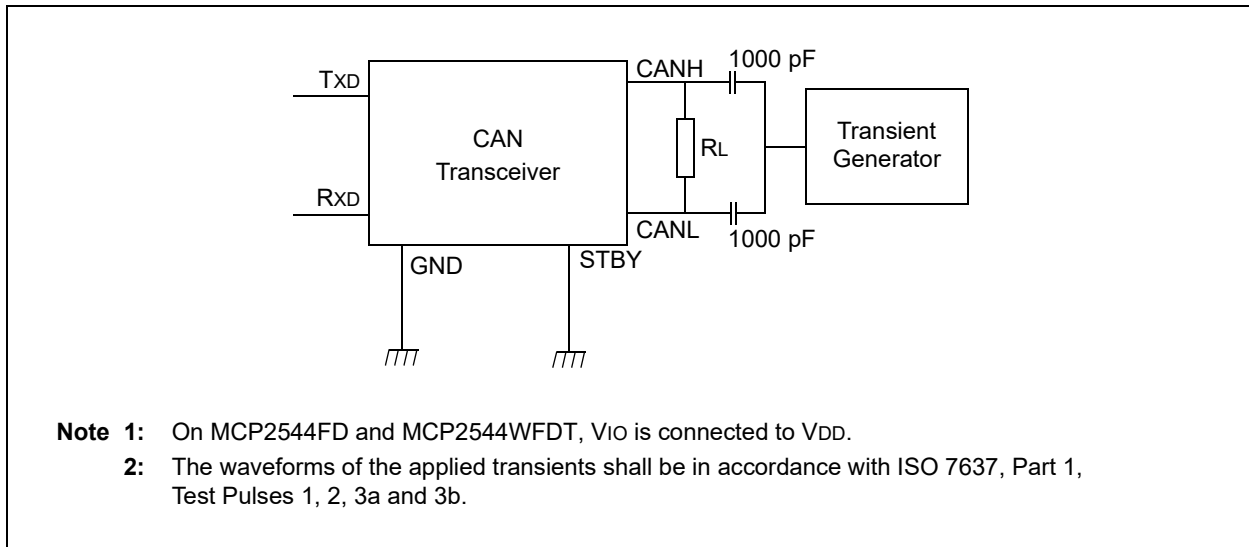
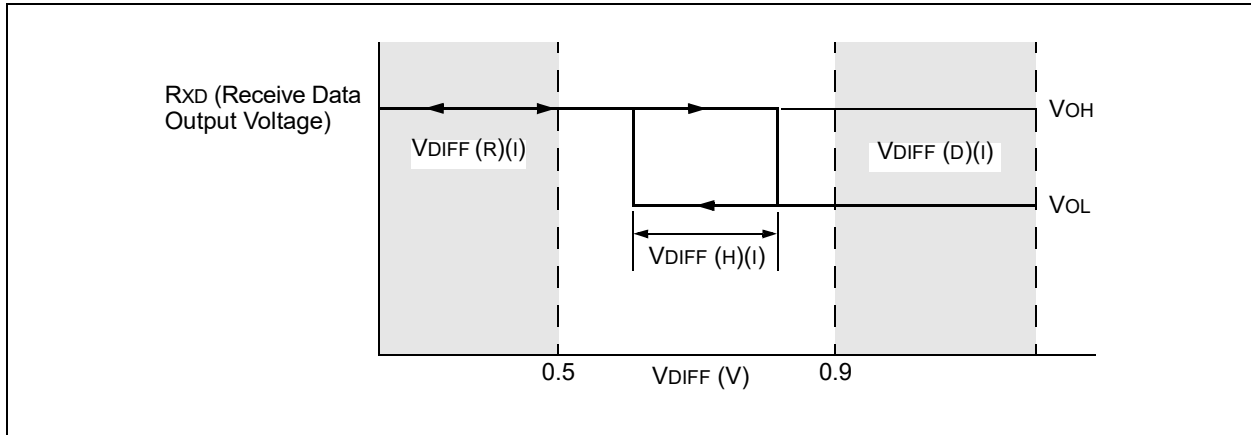


FIGURE 2-5: TEST CIRCUIT FOR AUTOMOTIVE TRANSIENTS^(1,2)



MCP2542FD/4FD, MCP2542WFD/4WFD

FIGURE 2-6: HYSTERESIS OF THE RECEIVER



MCP2542FD/4FD, MCP2542WFD/4WFD

2.3 Timing Diagrams and Specifications

FIGURE 2-7: TIMING DIAGRAM FOR AC CHARACTERISTICS

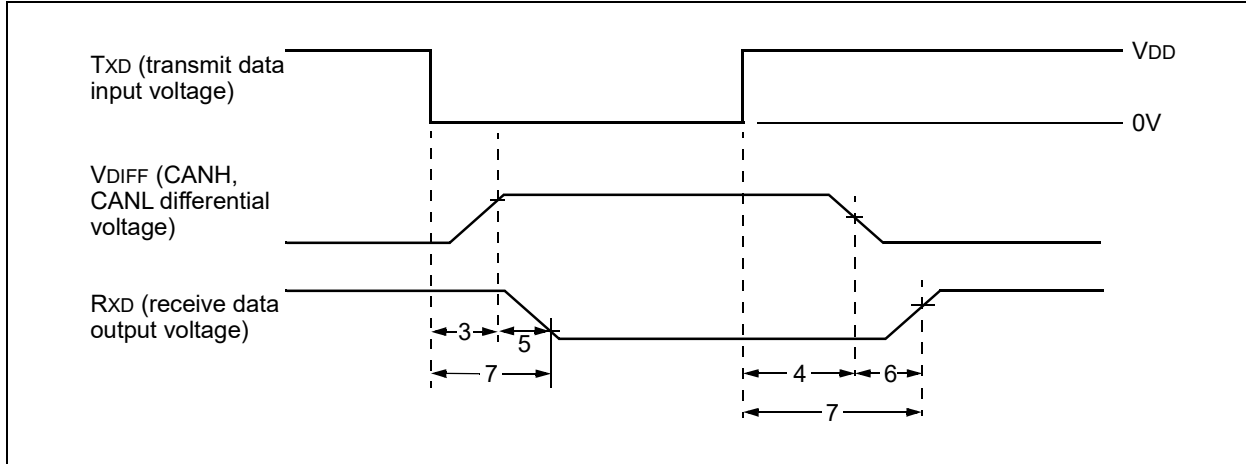


FIGURE 2-8: TIMING DIAGRAM FOR WAKE-UP FROM STANDBY

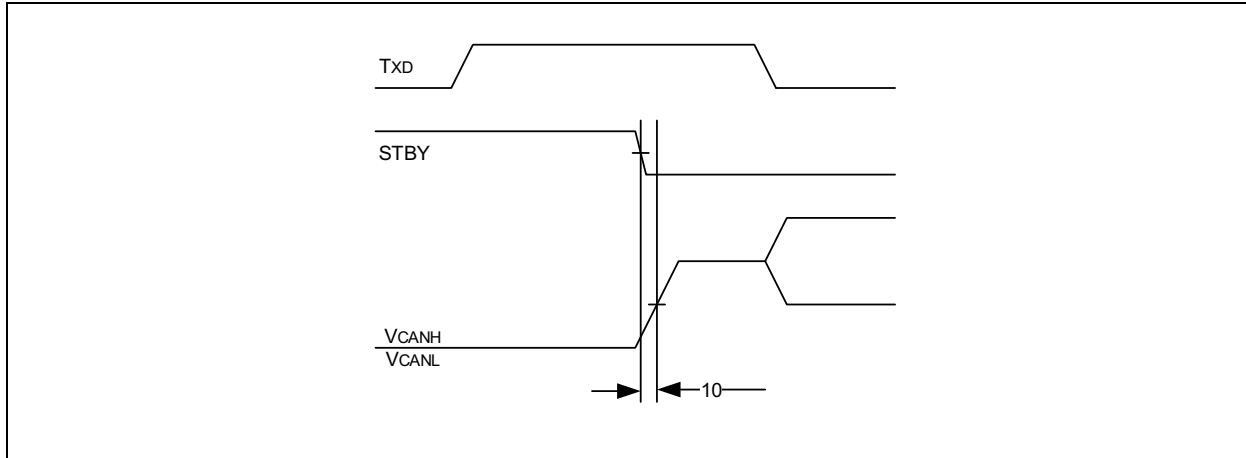
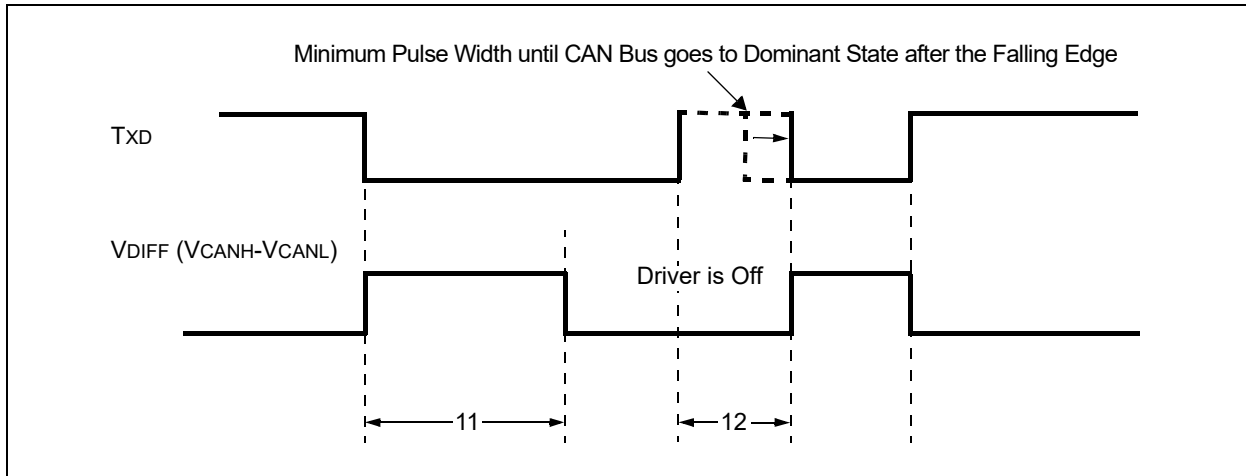


FIGURE 2-9: PERMANENT DOMINANT TIMER RESET DETECT



MCP2542FD/4FD, MCP2542WFD/4WFD

FIGURE 2-10: TIMING DIAGRAM FOR LOOP DELAY SYMMETRY

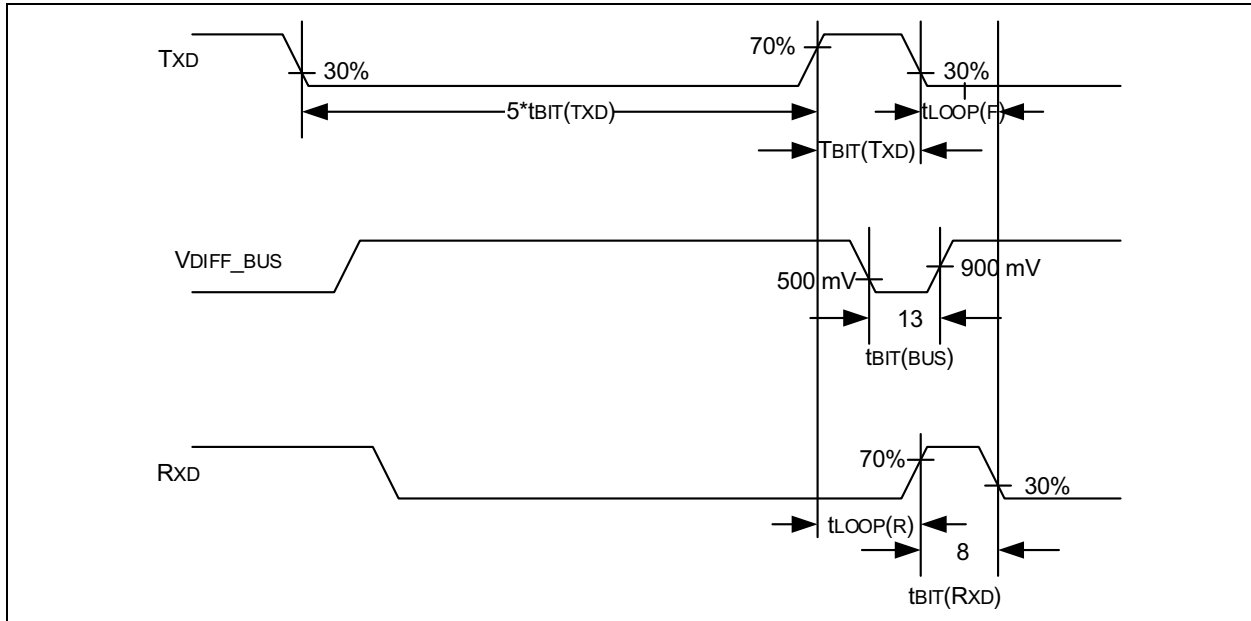


FIGURE 2-11: TIMING DIAGRAM FOR WAKE-UP PATTERN (WUP)

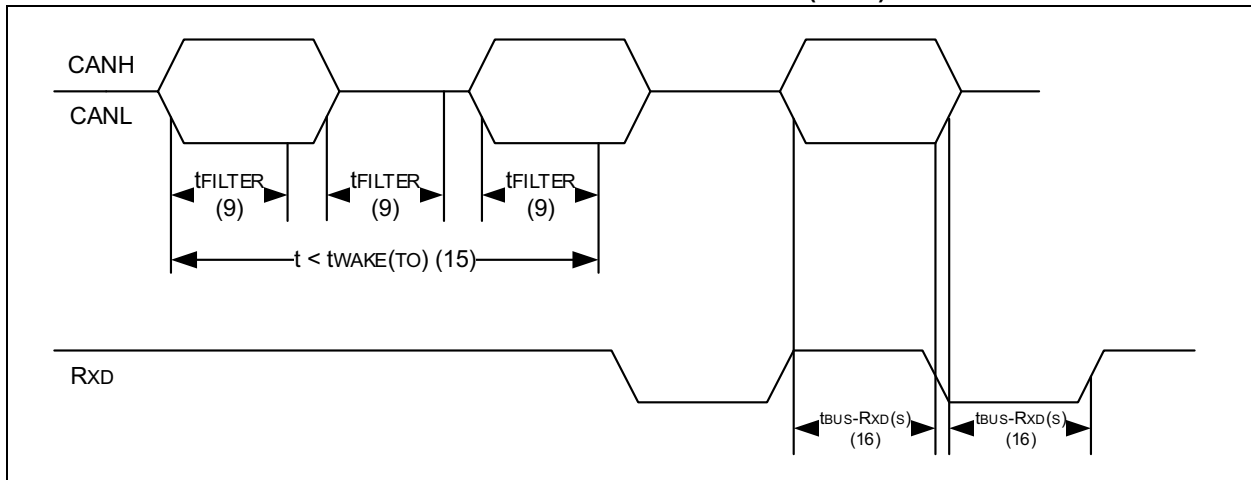


TABLE 2-3: THERMAL SPECIFICATIONS

| Parameter | Sym. | Min. | Typ. | Max. | Units | Test Conditions |
|---------------------------------------|---------------|------|-------|------|-------|-----------------|
| Temperature Ranges | | | | | | |
| Specified Temperature Range | TA | -40 | — | +125 | °C | |
| | | -40 | — | +150 | | |
| Operating Temperature Range | TA | -40 | — | +150 | °C | |
| Storage Temperature Range | TA | -65 | — | +155 | °C | |
| Package Thermal Resistances | | | | | | |
| Thermal Resistance, 8-Lead DFN (3x3) | θ_{JA} | — | 56.7 | — | °C/W | |
| Thermal Resistance, 8-Lead SOIC | θ_{JA} | — | 149.5 | — | °C/W | |
| Thermal Resistance, 8-Lead TDFN (2x3) | θ_{JA} | — | 53 | — | °C/W | |

MCP2542FD/4FD, MCP2542WFD/4WFD

NOTES:

MCP2542FD/4FD, MCP2542WFD/4WFD

3.0 TYPICAL PERFORMANCE CURVES

Note: The graphs and tables provided following this note are a statistical summary based on a limited number of samples and are provided for informational purposes only. The performance characteristics listed herein are not tested or guaranteed. In some graphs or tables, the data presented may be outside the specified operating range (e.g., outside specified power supply range) and therefore outside the warranted range.

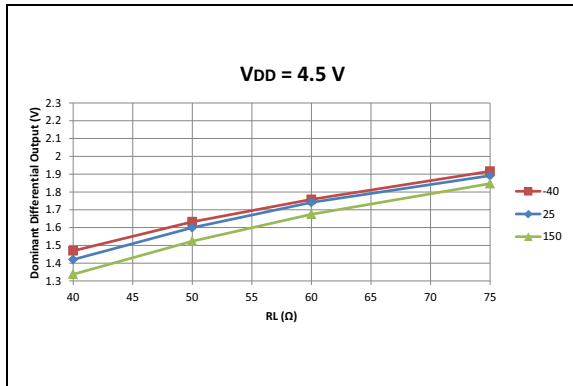


FIGURE 3-1: Dominant Differential Output vs. R_L ($V_{DD} = 4.5V$).

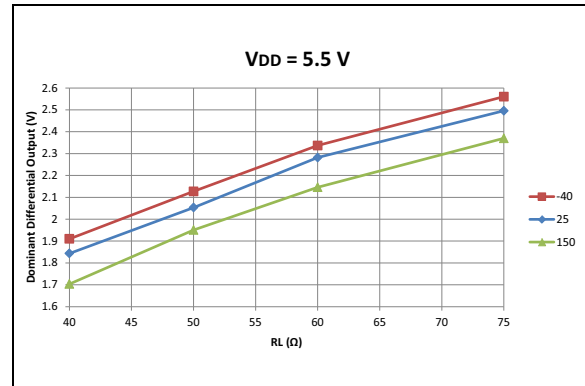


FIGURE 3-3: Dominant Differential Output vs. R_L ($V_{DD} = 5.5V$).

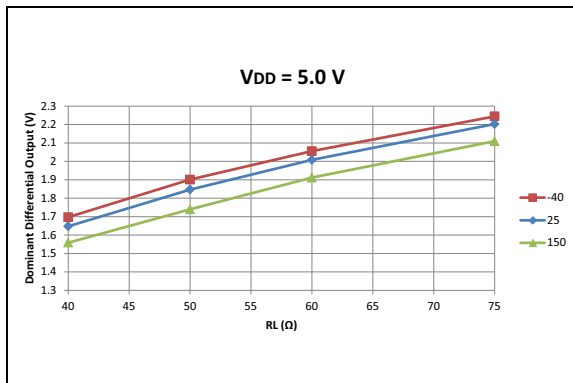


FIGURE 3-2: Dominant Differential Output vs. R_L ($V_{DD} = 5.0V$).

MCP2542FD/4FD, MCP2542WFD/4WFD

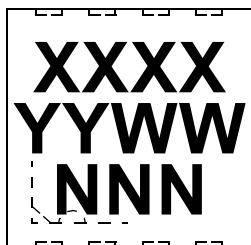
NOTES:

MCP2542FD/4FD, MCP2542WFD/4WFD

4.0 PACKAGING INFORMATION

4.1 Package Marking Information

8-Lead DFN (03x03x0.9 mm)

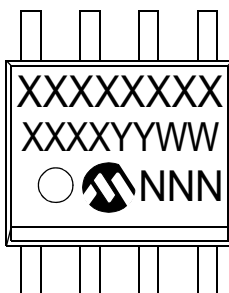


| Part Number | Code |
|------------------|------|
| MCP2542FD-E/MF | DAEK |
| MCP2542FDT-H/MF | DAEK |
| MCP2542FD-H/MF | DAEK |
| MCP2542FDT-E/MF | DAEK |
| MCP2542WFD-E/MF | DAEH |
| MCP2542WFDT-H/MF | DAEH |
| MCP2542WFD-H/MF | DAEH |
| MCP2542WFDT-E/MF | DAEH |
| MCP2544FD-E/MF | DAEJ |
| MCP2544FDT-H/MF | DAEJ |
| MCP2544FD-H/MF | DAEJ |
| MCP2544FDT-E/MF | DAEJ |
| MCP2544WFD-E/MF | DAEG |
| MCP2544WFDT-H/MF | DAEG |
| MCP2544WFD-H/MF | DAEG |
| MCP2544WFDT-E/MF | DAEG |

Example

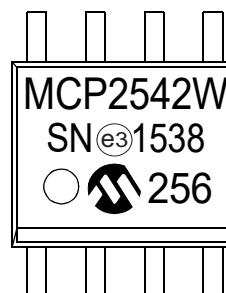


8-Lead SOIC (150 mil)



| Part Number | Code |
|------------------|----------|
| MCP2542WFD-E/SN | MCP2542W |
| MCP2542WFDT-H/SN | MCP2542W |
| MCP2542WFD-H/SN | MCP2542W |
| MCP2542WFDT-E/SN | MCP2542W |
| MCP2542FD-E/SN | MCP2542 |
| MCP2542FDT-H/SN | MCP2542 |
| MCP2542FD-H/SN | MCP2542 |
| MCP2542FDT-E/SN | MCP2542 |
| MCP2544WFD-E/SN | MCP2544W |
| MCP2544WFDT-H/SN | 2544WFD |
| MCP2544WFD-H/SN | 2544WFD |
| MCP2544WFDT-E/SN | MCP2544W |
| MCP2544FD-E/SN | MCP2544 |
| MCP2544FDT-H/SN | MCP2544 |
| MCP2544FD-H/SN | MCP2544 |
| MCP2544FDT-E/SN | MCP2544 |

Example

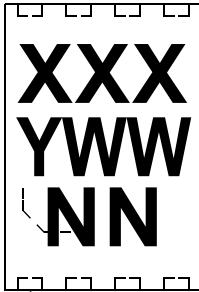


| | | |
|----------------|---|--|
| Legend: | XX...X | Customer-specific information |
| | Y | Year code (last digit of calendar year) |
| | YY | Year code (last 2 digits of calendar year) |
| | WW | Week code (week of January 1 is week '01') |
| | NNN | Alphanumeric traceability code |
| | (e3) | Pb-free JEDEC® designator for Matte Tin (Sn) This package is Pb-free. The Pb-free JEDEC® designator ((e3) can be found on the outer packaging for this package. |
| Note: | In the event the full Microchip part number cannot be marked on one line, it will be carried over to the next line, thus limiting the number of available characters for customer-specific information. | |

MCP2542FD/4FD, MCP2542WFD/4WFD

4.1 Package Marking Information (Continued)

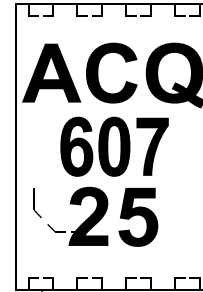
8-Lead TDFN (02x03x0.8 mm)



PIN 1

| Part Number | Code |
|--------------------|------|
| MCP2542FDT-E/MNY | ACR |
| MCP2542FDT-H/MNY | ACR |
| MCP2542WFDT-E/MNY | ACP |
| MCP2542WFDT-H/MNY | ACP |
| MCP2544FDT-E/MNY | ACQ |
| MCP2544FDT-H/MNY | ACQ |
| MCP2544WFDTT-E/MNY | ACN |
| MCP2544WFDTT-H/MNY | ACN |

Example

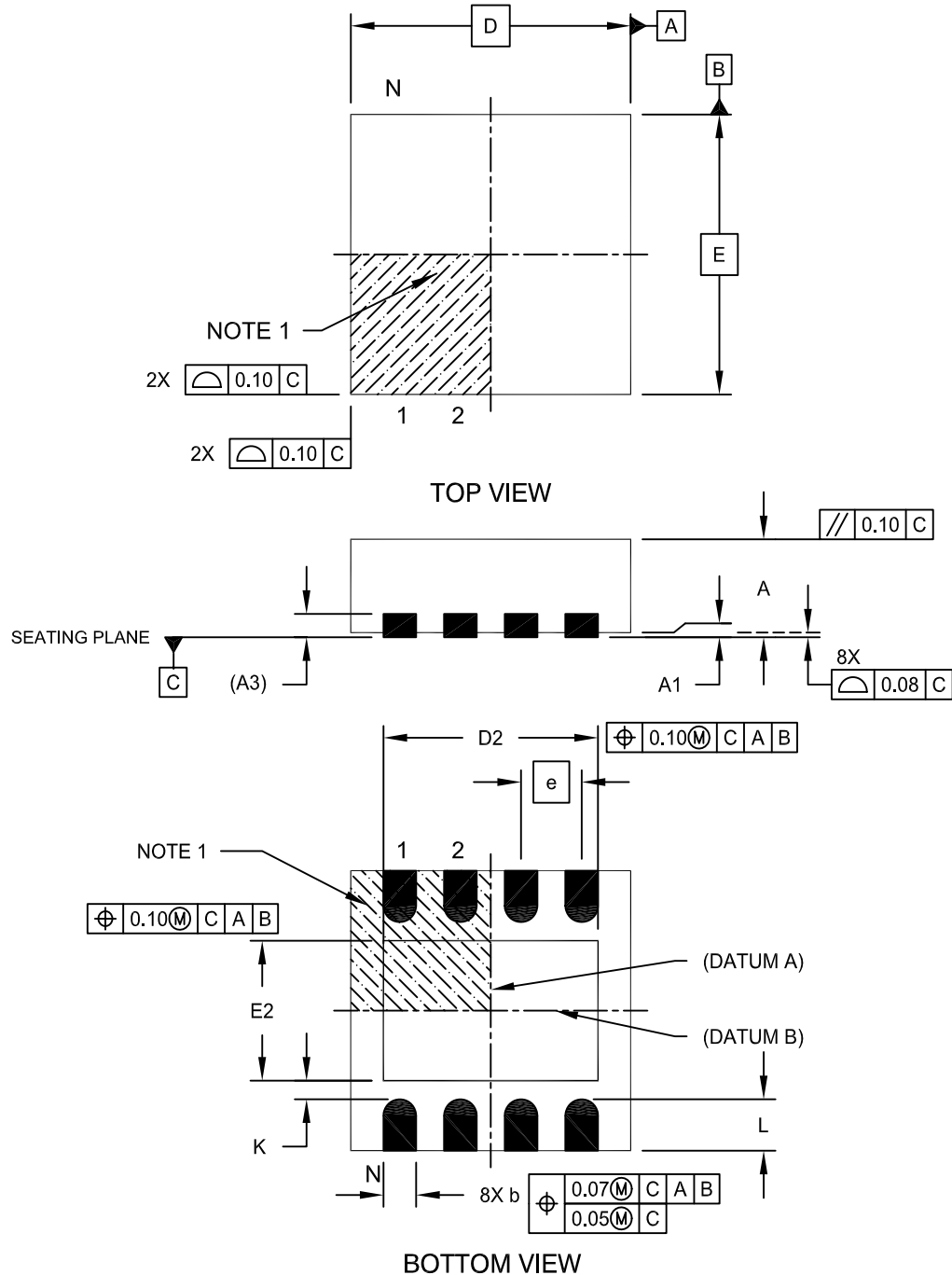


PIN 1

MCP2542FD/4FD, MCP2542WFD/4WFD

8-Lead Plastic Dual Flat, No Lead Package (MF) - 3x3x0.9mm Body [DFN]

Note: For the most current package drawings, please see the Microchip Packaging Specification located at <http://www.microchip.com/packaging>

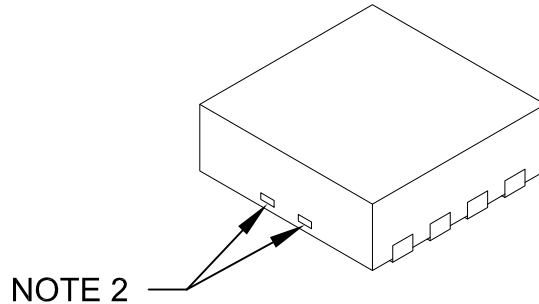


Microchip Technology Drawing No. C04-062C Sheet 1 of 2

MCP2542FD/4FD, MCP2542WFD/4WFD

8-Lead Plastic Dual Flat, No Lead Package (MF) - 3x3x0.9mm Body [DFN]

Note: For the most current package drawings, please see the Microchip Packaging Specification located at <http://www.microchip.com/packaging>



| Dimension Limits | Units | MILLIMETERS | | |
|------------------------|-------|-------------|------|------|
| | | MIN | NOM | MAX |
| Number of Pins | N | 8 | | |
| Pitch | e | 0.65 BSC | | |
| Overall Height | A | 0.80 | 0.90 | 1.00 |
| Standoff | A1 | 0.00 | 0.02 | 0.05 |
| Contact Thickness | A3 | 0.20 REF | | |
| Overall Length | D | 3.00 BSC | | |
| Exposed Pad Width | E2 | 1.34 | - | 1.60 |
| Overall Width | E | 3.00 BSC | | |
| Exposed Pad Length | D2 | 1.60 | - | 2.40 |
| Contact Width | b | 0.25 | 0.30 | 0.35 |
| Contact Length | L | 0.20 | 0.30 | 0.55 |
| Contact-to-Exposed Pad | K | 0.20 | - | - |

Notes:

1. Pin 1 visual index feature may vary, but must be located within the hatched area.
2. Package may have one or more exposed tie bars at ends.
3. Package is saw singulated
4. Dimensioning and tolerancing per ASME Y14.5M

BSC: Basic Dimension. Theoretically exact value shown without tolerances.

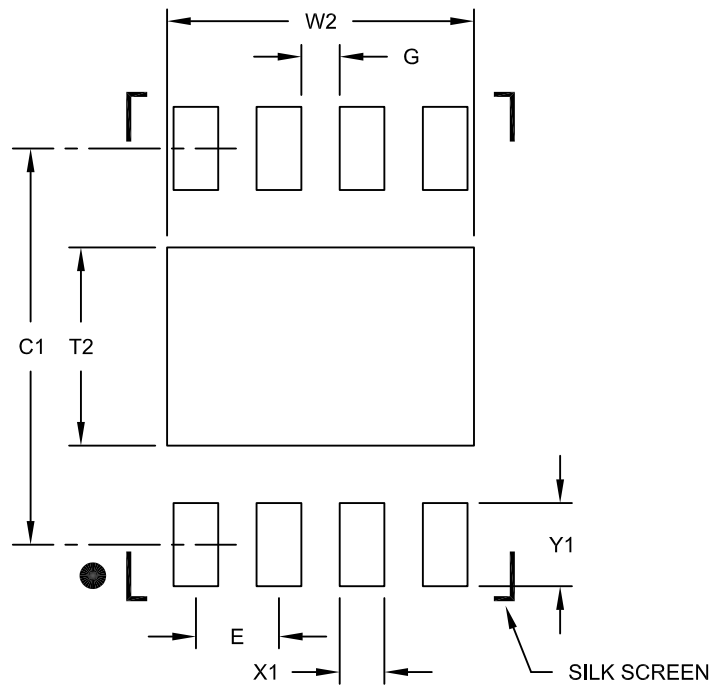
REF: Reference Dimension, usually without tolerance, for information purposes only.

Microchip Technology Drawing No. C04-062C Sheet 2 of 2

MCP2542FD/4FD, MCP2542WFD/4WFD

8-Lead Plastic Dual Flat, No Lead Package (MF) - 3x3x0.9mm Body [DFN]

Note: For the most current package drawings, please see the Microchip Packaging Specification located at <http://www.microchip.com/packaging>



RECOMMENDED LAND PATTERN

| Dimension Limits | Units | MILLIMETERS | | |
|----------------------------|-------|-------------|------|------|
| | | MIN | NOM | MAX |
| Contact Pitch | E | 0.65 BSC | | |
| Optional Center Pad Width | W2 | | | 2.40 |
| Optional Center Pad Length | T2 | | | 1.55 |
| Contact Pad Spacing | C1 | | 3.10 | |
| Contact Pad Width (X8) | X1 | | | 0.35 |
| Contact Pad Length (X8) | Y1 | | | 0.65 |
| Distance Between Pads | G | 0.30 | | |

Notes:

1. Dimensioning and tolerancing per ASME Y14.5M

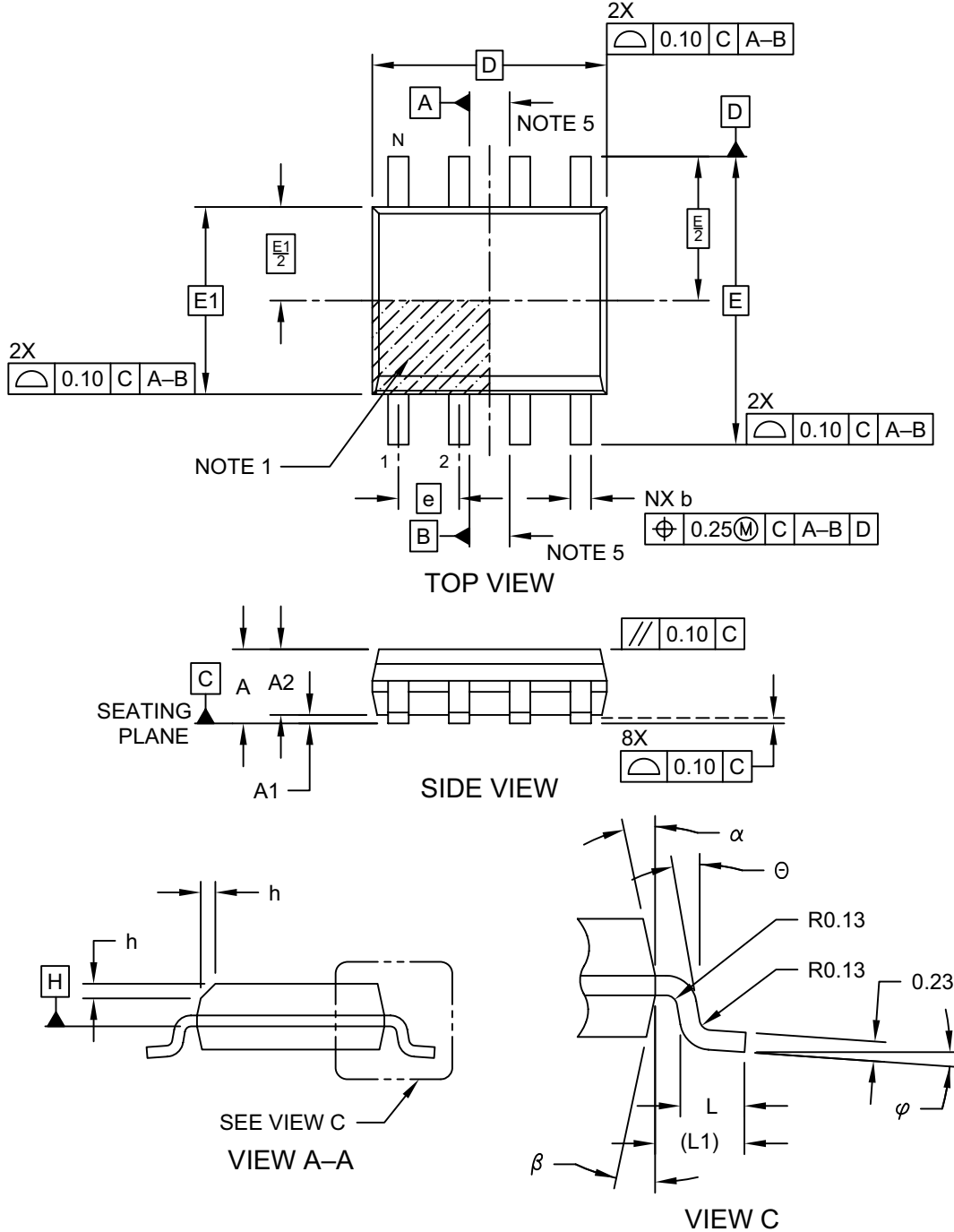
BSC: Basic Dimension. Theoretically exact value shown without tolerances.

Microchip Technology Drawing No. C04-2062B

MCP2542FD/4FD, MCP2542WFD/4WFD

8-Lead Plastic Small Outline (SN) - Narrow, 3.90 mm (.150 In.) Body [SOIC]

Note: For the most current package drawings, please see the Microchip Packaging Specification located at <http://www.microchip.com/packaging>

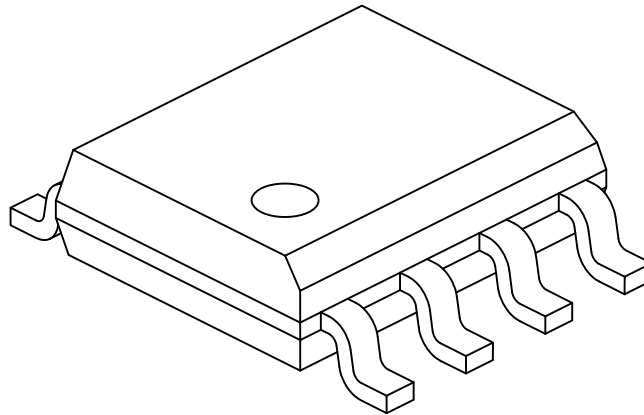


Microchip Technology Drawing No. C04-057-SN Rev F Sheet 1 of 2

MCP2542FD/4FD, MCP2542WFD/4WFD

8-Lead Plastic Small Outline (SN) - Narrow, 3.90 mm (.150 In.) Body [SOIC]

Note: For the most current package drawings, please see the Microchip Packaging Specification located at <http://www.microchip.com/packaging>



| Dimension Limits | Units | MILLIMETERS | | |
|--------------------------|----------|-------------|-----|------|
| | | MIN | NOM | MAX |
| Number of Pins | N | 8 | | |
| Pitch | e | 1.27 BSC | | |
| Overall Height | A | - | - | 1.75 |
| Molded Package Thickness | A2 | 1.25 | - | - |
| Standoff § | A1 | 0.10 | - | 0.25 |
| Overall Width | E | 6.00 BSC | | |
| Molded Package Width | E1 | 3.90 BSC | | |
| Overall Length | D | 4.90 BSC | | |
| Chamfer (Optional) | h | 0.25 | - | 0.50 |
| Foot Length | L | 0.40 | - | 1.27 |
| Footprint | L1 | 1.04 REF | | |
| Foot Angle | ϕ | 0° | - | 8° |
| Lead Thickness | c | 0.17 | - | 0.25 |
| Lead Width | b | 0.31 | - | 0.51 |
| Mold Draft Angle Top | α | 5° | - | 15° |
| Mold Draft Angle Bottom | β | 5° | - | 15° |

Notes:

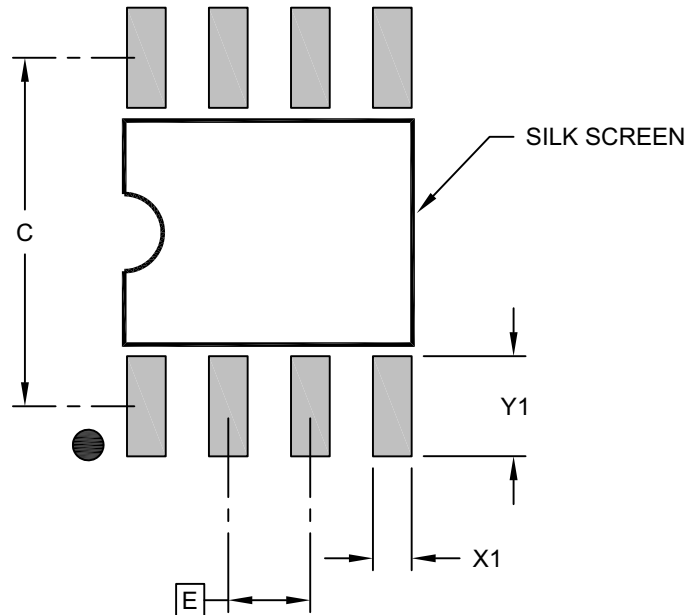
1. Pin 1 visual index feature may vary, but must be located within the hatched area.
2. § Significant Characteristic
3. Dimensions D and E1 do not include mold flash or protrusions. Mold flash or protrusions shall not exceed 0.15mm per side.
4. Dimensioning and tolerancing per ASME Y14.5M
BSC: Basic Dimension. Theoretically exact value shown without tolerances.
REF: Reference Dimension, usually without tolerance, for information purposes only.
5. Datums A & B to be determined at Datum H.

Microchip Technology Drawing No. C04-057-SN Rev F Sheet 2 of 2

MCP2542FD/4FD, MCP2542WFD/4WFD

8-Lead Plastic Small Outline (SN) - Narrow, 3.90 mm (.150 In.) Body [SOIC]

Note: For the most current package drawings, please see the Microchip Packaging Specification located at <http://www.microchip.com/packaging>



RECOMMENDED LAND PATTERN

| Dimension Limits | Units | MILLIMETERS | | |
|-------------------------|-------|-------------|-----|------|
| | | MIN | NOM | MAX |
| Contact Pitch | E | 1.27 BSC | | |
| Contact Pad Spacing | C | 5.40 | | |
| Contact Pad Width (X8) | X1 | | | 0.60 |
| Contact Pad Length (X8) | Y1 | | | 1.55 |

Notes:

1. Dimensioning and tolerancing per ASME Y14.5M

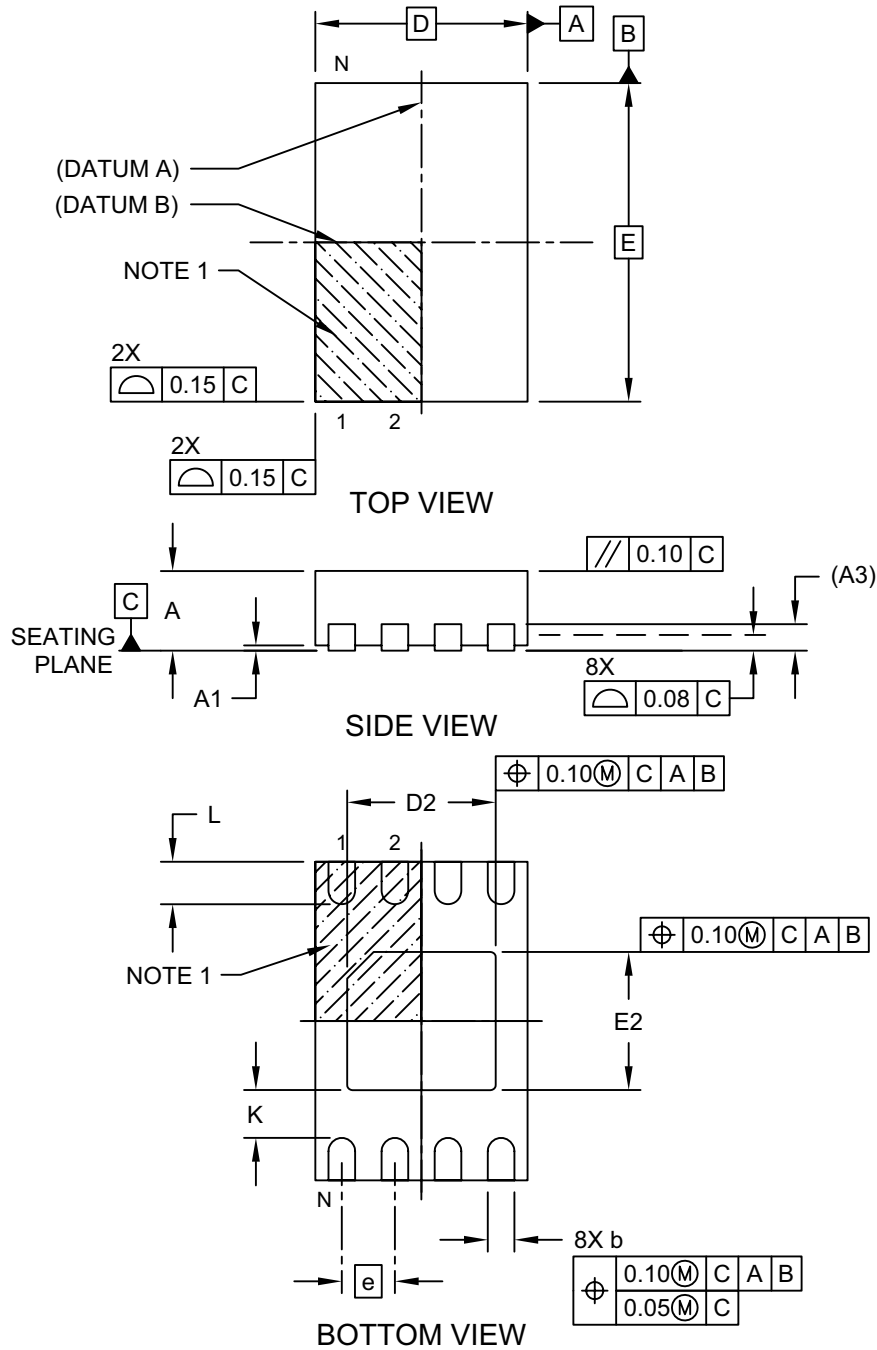
BSC: Basic Dimension. Theoretically exact value shown without tolerances.

Microchip Technology Drawing C04-2057-SN Rev F

MCP2542FD/4FD, MCP2542WFD/4WFD

8-Lead Plastic Dual Flat, No Lead Package (MNY) – 2x3x0.8 mm Body [TDFN] With 1.4x1.3 mm Exposed Pad (JEDEC Package type WDFN)

Note: For the most current package drawings, please see the Microchip Packaging Specification located at <http://www.microchip.com/packaging>

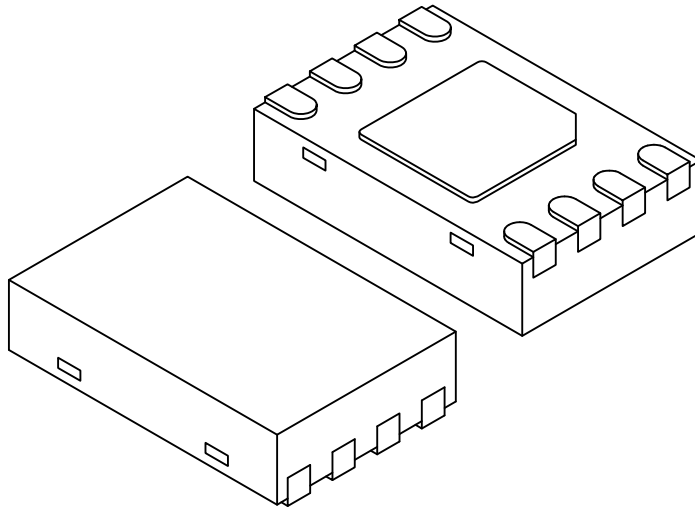


Microchip Technology Drawing No. C04-129-MNY Rev E Sheet 1 of 2

MCP2542FD/4FD, MCP2542WFD/4WFD

8-Lead Plastic Dual Flat, No Lead Package (MNY) – 2x3x0.8 mm Body [TDFN] With 1.4x1.3 mm Exposed Pad (JEDEC Package type WDFN)

Note: For the most current package drawings, please see the Microchip Packaging Specification located at <http://www.microchip.com/packaging>



| Dimension Limits | Units | MILLIMETERS | | |
|------------------------|-------|-------------|------|------|
| | | MIN | NOM | MAX |
| Number of Pins | N | 8 | | |
| Pitch | e | 0.50 BSC | | |
| Overall Height | A | 0.70 | 0.75 | 0.80 |
| Standoff | A1 | 0.00 | 0.02 | 0.05 |
| Contact Thickness | A3 | 0.20 REF | | |
| Overall Length | D | 2.00 BSC | | |
| Overall Width | E | 3.00 BSC | | |
| Exposed Pad Length | D2 | 1.35 | 1.40 | 1.45 |
| Exposed Pad Width | E2 | 1.25 | 1.30 | 1.35 |
| Contact Width | b | 0.20 | 0.25 | 0.30 |
| Contact Length | L | 0.25 | 0.30 | 0.45 |
| Contact-to-Exposed Pad | K | 0.20 | - | - |

Notes:

1. Pin 1 visual index feature may vary, but must be located within the hatched area.
2. Package may have one or more exposed tie bars at ends.
3. Package is saw singulated
4. Dimensioning and tolerancing per ASME Y14.5M

BSC: Basic Dimension. Theoretically exact value shown without tolerances.

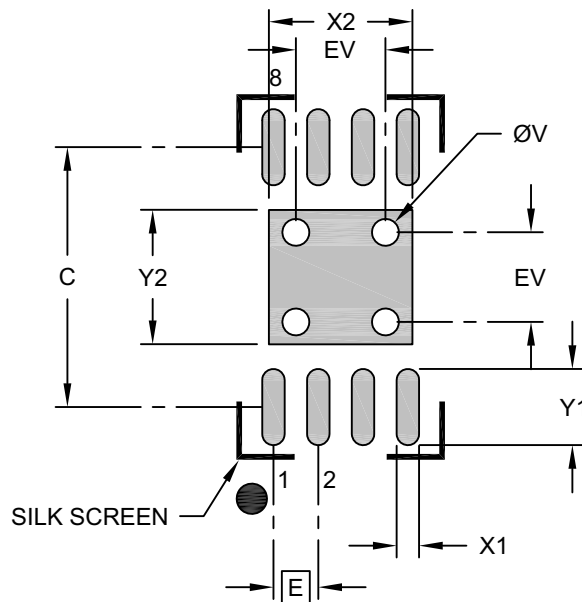
REF: Reference Dimension, usually without tolerance, for information purposes only.

Microchip Technology Drawing No. C04-129-MNY Rev E Sheet 2 of 2

MCP2542FD/4FD, MCP2542WFD/4WFD

8-Lead Plastic Dual Flat, No Lead Package (MNY) – 2x3x0.8 mm Body [TDFN] With 1.4x1.3 mm Exposed Pad (JEDEC Package type WDFN)

Note: For the most current package drawings, please see the Microchip Packaging Specification located at <http://www.microchip.com/packaging>



RECOMMENDED LAND PATTERN

| Dimension Limits | Units | MILLIMETERS | | |
|----------------------------|-------|-------------|------|------|
| | | MIN | NOM | MAX |
| Contact Pitch | E | 0.50 BSC | | |
| Optional Center Pad Width | X2 | | | 1.60 |
| Optional Center Pad Length | Y2 | | | 1.50 |
| Contact Pad Spacing | C | | 2.90 | |
| Contact Pad Width (X8) | X1 | | | 0.25 |
| Contact Pad Length (X8) | Y1 | | | 0.85 |
| Thermal Via Diameter | V | | 0.30 | |
| Thermal Via Pitch | EV | | 1.00 | |

Notes:

- Dimensioning and tolerancing per ASME Y14.5M
BSC: Basic Dimension. Theoretically exact value shown without tolerances.
- For best soldering results, thermal vias, if used, should be filled or tented to avoid solder loss during reflow process

Microchip Technology Drawing No. C04-129-MNY Rev. B

MCP2542FD/4FD, MCP2542WFD/4WFD

NOTES:

MCP2542FD/4FD, MCP2542WFD/4WFD

APPENDIX A: REVISION HISTORY

Revision C (August 2020)

The following is the list of modifications:

- Updated “**Features**” section.
- Updated **Section 1.0 “Device Overview”**.
- Updated **Section 4.0 “Packaging Information”**.
- Updated **Section “Product Identification System”**.

Revision B (March 2019)

The following is the list of modifications:

- Changed High-Level Input Voltage for MCP2544FD and MCP2544WFD from VIO-0.3 to VDD-0.3 in **TABLE 2-1: “DC Characteristics”**.
- Fixed SOIC package markings in **Section 4.1 “Package Marking Information”**.
- Clarified that MCP2544FD/4FD is a CAN FD Transceiver without WUP Option in **Section “Product Identification System”**.
- Minor typographical corrections.

Revision A (February 2016)

Initial release of this document.

MCP2542FD/4FD, MCP2542WFD/4WFD

NOTES:

MCP2542FD/4FD, MCP2542WFD/4WFD

PRODUCT IDENTIFICATION SYSTEM

To order or obtain information, e.g., on pricing or delivery, refer to the factory or the listed sales office.

| <u>PART NO.</u> | <u>XI⁽¹⁾</u> | <u>X</u> | <u>XX</u> |
|--|-------------------------|-------------------|-----------|
| Device | Tape and Reel Option | Temperature Range | Package |
| <p>Device: MCP2542FD/4FD: CAN FD Transceiver without WUP Option MCP2542WFD/4WFD: CAN FD Transceiver with WUP Option</p> | | | |
| <p>Tape and Reel Option: Blank = Standard packaging (tube or tray) T = Tape and Reel⁽¹⁾</p> | | | |
| <p>Temperature Range: E = -40°C to +125°C (Extended) H = -40°C to +150°C (High)</p> | | | |
| <p>Package: MF = Plastic Dual Flat No Lead Package – 3 x 3 x 0.9 mm Body (DFN), 8-Lead</p> <p>MNY = Plastic Dual Flat No Lead Package – 2 x 3 x 0.8 mm Body (TDFN), 8-Lead</p> <p>SN = Plastic Small Outline – Narrow, 3.90 mm Body (SOIC), 8-Lead</p> <p>MFVAO = Plastic Dual Flat No Lead Package – 3 x 3 x 0.9 mm Body (DFN), 8-Lead, Automotive, AEC-Q100 Qualified</p> <p>MNYVAO = Plastic Dual Flat No Lead Package – 2 x 3 x 0.8 mm Body (TDFN), 8-Lead, Automotive, AEC-Q100 Qualified</p> <p>SNVAO = Plastic Small Outline – Narrow, 3.90 mm, Body (SOIC), 8-Lead, Automotive, AEC-Q100 Qualified</p> | | | |
| <p>Examples:</p> <p>a) MCP2542FD-E/MF: Extended Temperature, 8-Lead, Plastic Dual Flat No Lead DFN package.</p> <p>b) MCP2544WFD-H/MF: High Temperature, 8-Lead, Plastic Dual Flat No Lead DFN package.</p> <p>c) MCP2542WFDT-H/SN: Tape and Reel, High Temperature, 8-Lead, Plastic Small Outline SOIC package.</p> <p>d) MCP2544WFDT-E/SN: Tape and Reel, Extended Temperature, 8-Lead, Plastic Small Outline SOIC package.</p> <p>e) MCP2542FDT-E/MNY: Tape and Reel, Extended Temperature, 8-Lead, Plastic Dual Flat No Lead TDFN package.</p> <p>f) MCP2544WFDT-H/MNY: Tape and Reel, High Temperature, 8-Lead, Plastic Dual Flat No Lead TDFN package.</p> <p>g) MCP2542FDT-E/MFVAO: Tape and Reel, Extended Temperature, 8-Lead, Plastic Dual Flat No Lead DFN package, Automotive AEC-Q100 Qualified.</p> | | | |
| <p>Note 1: Tape and Reel identifier only appears in the catalog part number description. This identifier is used for ordering purposes and is not printed on the device package. Check with your Microchip Sales Office for package availability with the Tape and Reel option.</p> | | | |

MCP2542FD/4FD, MCP2542WFD/4WFD

NOTES:

Note the following details of the code protection feature on Microchip devices:

- Microchip products meet the specification contained in their particular Microchip Data Sheet.
- Microchip believes that its family of products is one of the most secure families of its kind on the market today, when used in the intended manner and under normal conditions.
- There are dishonest and possibly illegal methods used to breach the code protection feature. All of these methods, to our knowledge, require using the Microchip products in a manner outside the operating specifications contained in Microchip's Data Sheets. Most likely, the person doing so is engaged in theft of intellectual property.
- Microchip is willing to work with the customer who is concerned about the integrity of their code.
- Neither Microchip nor any other semiconductor manufacturer can guarantee the security of their code. Code protection does not mean that we are guaranteeing the product as “unbreakable.”

Code protection is constantly evolving. We at Microchip are committed to continuously improving the code protection features of our products. Attempts to break Microchip's code protection feature may be a violation of the Digital Millennium Copyright Act. If such acts allow unauthorized access to your software or other copyrighted work, you may have a right to sue for relief under that Act.

Information contained in this publication regarding device applications and the like is provided only for your convenience and may be superseded by updates. It is your responsibility to ensure that your application meets with your specifications. MICROCHIP MAKES NO REPRESENTATIONS OR WARRANTIES OF ANY KIND WHETHER EXPRESS OR IMPLIED, WRITTEN OR ORAL, STATUTORY OR OTHERWISE, RELATED TO THE INFORMATION, INCLUDING BUT NOT LIMITED TO ITS CONDITION, QUALITY, PERFORMANCE, MERCHANTABILITY OR FITNESS FOR PURPOSE. Microchip disclaims all liability arising from this information and its use. Use of Microchip devices in life support and/or safety applications is entirely at the buyer's risk, and the buyer agrees to defend, indemnify and hold harmless Microchip from any and all damages, claims, suits, or expenses resulting from such use. No licenses are conveyed, implicitly or otherwise, under any Microchip intellectual property rights unless otherwise stated.

Trademarks

The Microchip name and logo, the Microchip logo, Adaptec, AnyRate, AVR, AVR logo, AVR Freaks, BesTime, BitCloud, chipKIT, chipKIT logo, CryptoMemory, CryptoRF, dsPIC, FlashFlex, flexPWR, HELDO, IGLOO, JukeBlox, KeeLoq, Klear, LANCheck, LinkMD, maXStylus, maXTouch, MediaLB, megaAVR, Microsemi, Microsemi logo, MOST, MOST logo, MPLAB, OptoLyzer, PackeTime, PIC, picoPower, PICSTART, PIC32 logo, PolarFire, Prochip Designer, QTouch, SAM-BA, SenGenuity, SpyNIC, SST, SST Logo, SuperFlash, Symmetricom, SyncServer, Tachyon, TempTracker, TimeSource, tinyAVR, UNI/O, Vectron, and XMEGA are registered trademarks of Microchip Technology Incorporated in the U.S.A. and other countries.

APT, ClockWorks, The Embedded Control Solutions Company, EtherSynch, FlashTec, Hyper Speed Control, HyperLight Load, IntellIMOS, Libero, motorBench, mTouch, Powermite 3, Precision Edge, ProASIC, ProASIC Plus, ProASIC Plus logo, Quiet-Wire, SmartFusion, SyncWorld, Temux, TimeCesium, TimeHub, TimePictra, TimeProvider, Vite, WinPath, and ZL are registered trademarks of Microchip Technology Incorporated in the U.S.A.

Adjacent Key Suppression, AKS, Analog-for-the-Digital Age, Any Capacitor, AnyIn, AnyOut, BlueSky, BodyCom, CodeGuard, CryptoAuthentication, CryptoAutomotive, CryptoCompanion, CryptoController, dsPICDEM, dsPICDEM.net, Dynamic Average Matching, DAM, ECAN, EtherGREEN, In-Circuit Serial Programming, ICSP, INICnet, Inter-Chip Connectivity, JitterBlocker, KlearNet, KlearNet logo, memBrain, Mindi, MiWi, MPASM, MPF, MPLAB Certified logo, MPLIB, MPLINK, MultiTRAK, NetDetach, Omniscient Code Generation, PICDEM, PICDEM.net, PICkit, PICtail, PowerSmart, PureSilicon, QMatrix, REAL ICE, Ripple Blocker, SAM-ICE, Serial Quad I/O, SMART-I.S., SQI, SuperSwitcher, SuperSwitcher II, Total Endurance, TSHARC, USBCheck, VariSense, ViewSpan, WiperLock, Wireless DNA, and ZENA are trademarks of Microchip Technology Incorporated in the U.S.A. and other countries.

SQTP is a service mark of Microchip Technology Incorporated in the U.S.A.

The Adaptec logo, Frequency on Demand, Silicon Storage Technology, and Symmcom are registered trademarks of Microchip Technology Inc. in other countries.

GestIC is a registered trademark of Microchip Technology Germany II GmbH & Co. KG, a subsidiary of Microchip Technology Inc., in other countries.

All other trademarks mentioned herein are property of their respective companies.

© 2016-2020, Microchip Technology Incorporated, All Rights Reserved.

ISBN: 978-1-5224-6575-1

For information regarding Microchip's Quality Management Systems, please visit www.microchip.com/quality.



MICROCHIP

Worldwide Sales and Service

AMERICAS

Corporate Office
2355 West Chandler Blvd.
Chandler, AZ 85224-6199
Tel: 480-792-7200
Fax: 480-792-7277
Technical Support:
<http://www.microchip.com/support>
Web Address:
www.microchip.com

Atlanta

Duluth, GA
Tel: 678-957-9614
Fax: 678-957-1455

Austin, TX

Tel: 512-257-3370

Boston

Westborough, MA
Tel: 774-760-0087
Fax: 774-760-0088

Chicago

Itasca, IL
Tel: 630-285-0071
Fax: 630-285-0075

Dallas

Addison, TX
Tel: 972-818-7423
Fax: 972-818-2924

Detroit

Novi, MI
Tel: 248-848-4000

Houston, TX

Tel: 281-894-5983

Indianapolis

Noblesville, IN
Tel: 317-773-8323
Fax: 317-773-5453
Tel: 317-536-2380

Los Angeles

Mission Viejo, CA
Tel: 949-462-9523
Fax: 949-462-9608
Tel: 951-273-7800

Raleigh, NC

Tel: 919-844-7510

New York, NY

Tel: 631-435-6000

San Jose, CA

Tel: 408-735-9110
Tel: 408-436-4270

Canada - Toronto

Tel: 905-695-1980
Fax: 905-695-2078

ASIA/PACIFIC

Australia - Sydney
Tel: 61-2-9868-6733

China - Beijing
Tel: 86-10-8569-7000

China - Chengdu
Tel: 86-28-8665-5511

China - Chongqing
Tel: 86-23-8980-9588

China - Dongguan
Tel: 86-769-8702-9880

China - Guangzhou
Tel: 86-20-8755-8029

China - Hangzhou
Tel: 86-571-8792-8115

China - Hong Kong SAR
Tel: 852-2943-5100

China - Nanjing
Tel: 86-25-8473-2460

China - Qingdao
Tel: 86-532-8502-7355

China - Shanghai
Tel: 86-21-3326-8000

China - Shenyang
Tel: 86-24-2334-2829

China - Shenzhen
Tel: 86-755-8864-2200

China - Suzhou
Tel: 86-186-6233-1526

China - Wuhan
Tel: 86-27-5980-5300

China - Xian
Tel: 86-29-8833-7252

China - Xiamen
Tel: 86-592-2388138

China - Zhuhai
Tel: 86-756-3210040

ASIA/PACIFIC

India - Bangalore
Tel: 91-80-3090-4444

India - New Delhi
Tel: 91-11-4160-8631

India - Pune
Tel: 91-20-4121-0141

Japan - Osaka
Tel: 81-6-6152-7160

Japan - Tokyo
Tel: 81-3-6880-3770

Korea - Daegu
Tel: 82-53-744-4301

Korea - Seoul
Tel: 82-2-554-7200

Malaysia - Kuala Lumpur
Tel: 60-3-7651-7906

Malaysia - Penang
Tel: 60-4-227-8870

Philippines - Manila
Tel: 63-2-634-9065

Singapore
Tel: 65-6334-8870

Taiwan - Hsin Chu
Tel: 886-3-577-8366

Taiwan - Kaohsiung
Tel: 886-7-213-7830

Taiwan - Taipei
Tel: 886-2-2508-8600

Thailand - Bangkok
Tel: 66-2-694-1351

Vietnam - Ho Chi Minh
Tel: 84-28-5448-2100

EUROPE

Austria - Wels
Tel: 43-7242-2244-39
Fax: 43-7242-2244-393

Denmark - Copenhagen
Tel: 45-4485-5910
Fax: 45-4485-2829

Finland - Espoo
Tel: 358-9-4520-820

France - Paris
Tel: 33-1-69-53-63-20
Fax: 33-1-69-30-90-79

Germany - Garching
Tel: 49-8931-9700

Germany - Haan
Tel: 49-2129-3766400

Germany - Heilbronn
Tel: 49-7131-72400

Germany - Karlsruhe
Tel: 49-721-625370

Germany - Munich
Tel: 49-89-627-144-0
Fax: 49-89-627-144-44

Germany - Rosenheim
Tel: 49-8031-354-560

Israel - Ra'anana
Tel: 972-9-744-7705

Italy - Milan
Tel: 39-0331-742611
Fax: 39-0331-466781

Italy - Padova
Tel: 39-049-7625286

Netherlands - Drunen
Tel: 31-416-690399
Fax: 31-416-690340

Norway - Trondheim
Tel: 47-7288-4388

Poland - Warsaw
Tel: 48-22-3325737

Romania - Bucharest
Tel: 40-21-407-87-50

Spain - Madrid
Tel: 34-91-708-08-90
Fax: 34-91-708-08-91

Sweden - Gothenberg
Tel: 46-31-704-60-40

Sweden - Stockholm
Tel: 46-8-5090-4654

UK - Wokingham
Tel: 44-118-921-5800
Fax: 44-118-921-5820