

# Bulb & Capillary Thermostats

## Remote Sensing

### 20A CAP Series - Manual Reset



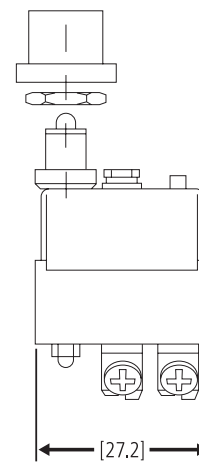
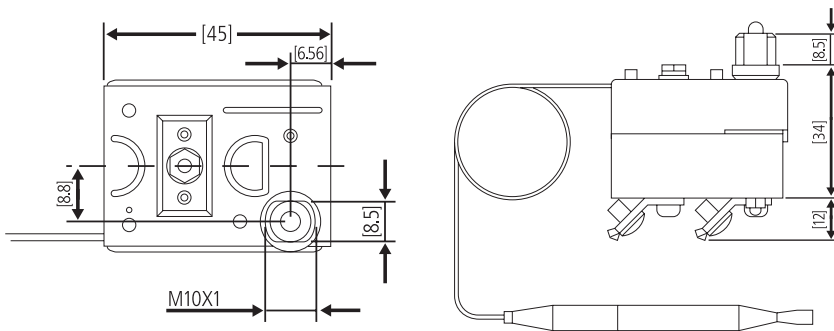
### CAP-MR Series

The CAP series is a fixed setting, manual reset, high limit safety control. The contacts are snap-acting, single pole single throw (SPST) rated for 20 amp. The CAP series is also available with 30 amp rated contacts. These thermostats are capable of switching pilot duty loads and gold flash contacts are optional for millivolt applications. When the temperature rises, the bulb fluid expands via the capillary tube to an expandable diaphragm within the remote sensor set point. Many models come standard off the shelf or configure a custom design. The capillary is available in copper or stainless steel, up to 13ft. A variety of capillary sleeves are available for added protection. They are rugged yet compact for versatility and long life.

Selco switches are produced in an ISO 9001 certified factory to ensure safe and reliable operation. All models are 100% factory inspected to ensure proper temperature, continuity and function.

### Temperature Limiting Applications

Commercial Food Equipment, Heaters, Heat Pumps, Hot Plates, Packaging Equipment



### Technical Specifications

#### CAP-MR Series

##### Features

Precise and accurate  
High temperature

##### Temperature Range

104° to 752°F (40° to 400°C)

##### Electrical Ratings

120/240 VAC, 20 A, Resistive, 6,000 Cycles  
240 VAC, 2.9 FLA/30 LRA, Inductive, 6,000 Cycles

##### Approvals

UL E168164(S), XAPX2  
c-UL E168164(S), XAPX8  
ENEC



For more information on Selco Products please visit us at: [www.selcoproducts.com](http://www.selcoproducts.com)



**Selco Products, Inc.**  
8780 Technology Way  
Reno, Nevada 89521-5908

**Tel** +1.800.257.3526  
**Fax** +1.775.674.5111  
**Email** sales@selcoproducts.com

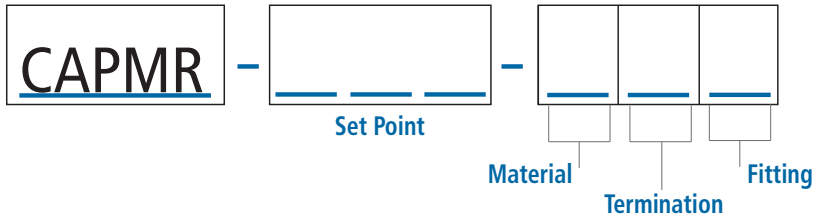
©2016 Selco Products, Inc. v04-14-16.  
Selco Products is registered trademark of Selco Products, Inc. Information is subject to change without notice. Selco offers a wide range of products for North American and Global markets. Printed in USA.

# CAP-MR Series - Manual Reset

TEMPERATURE RANGE	TOLERANCE
104° to 195°F (40°-90°C)	±5.4°F (3°C)
85° to 230°F (30°-110°C)	±7.2°F (4°C)
122°-392°F (50°-200°C)	±14.4°F (8°C)
122°-428°F (50°-220°C)	±14.4°F (8°C)
122° to 482°F (50°-250°C)	±16.2°F (9°C)
122° to 570°F (50°-300°C)	±16.2°F (9°C)
140°-752°F (60°-400°C)	±21.6°F (12°C)



## Part Number Configurator



### Set Point Minimum

104-752°F

### Material

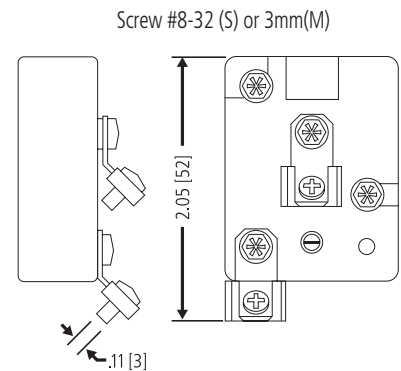
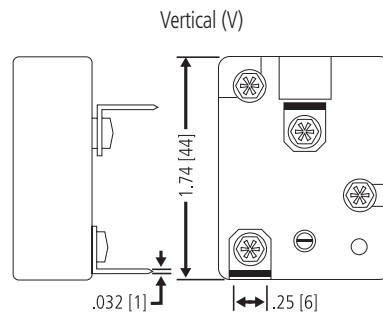
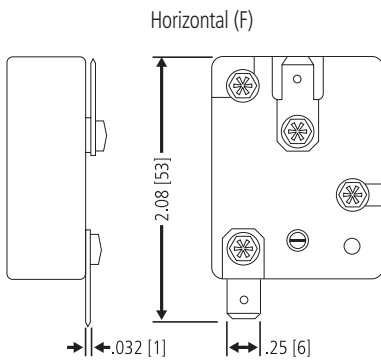
C Copper  
S Stainless Steel

### Termination

V Vertical .250" Quick Connect  
F Horizontal .250" Quick Connect  
M 3mm Screw  
S #8-32 Screw

### Fittings/Stuffing Box

C 1/4" NPT  
D 3/8" NPT  
E Stuffing Box M9  
F Stuffing Box M10  
G None/Other



Selco Products, Inc.  
8780 Technology Way  
Reno, Nevada 89521-5908

Tel +1.800.257.3526  
Fax +1.775.674.5111  
Email sales@selcoproducts.com



©2016 Selco Products, Inc. v04-14-16. Selco Products is registered trademark of Selco Products, Inc. Information is subject to change without notice. Selco offers a wide range of products for North American and Global markets. Printed in USA.