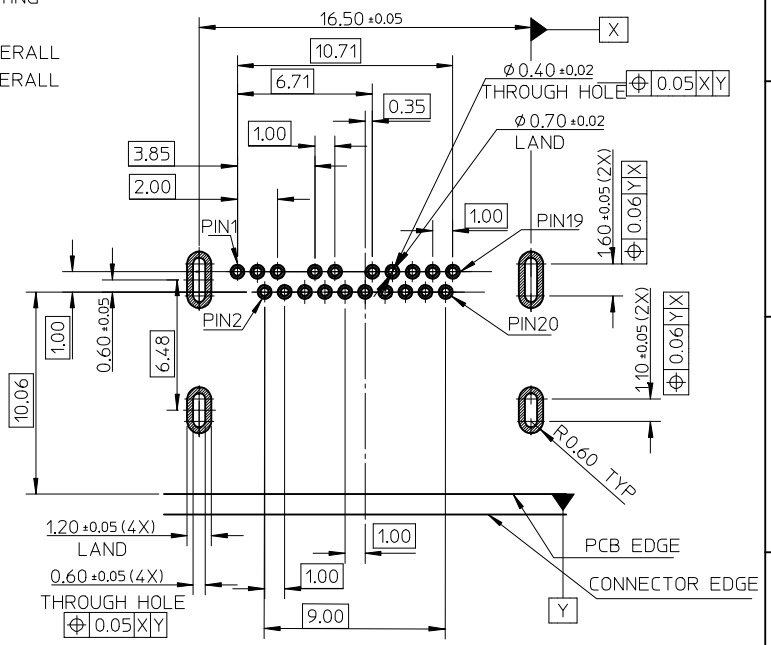
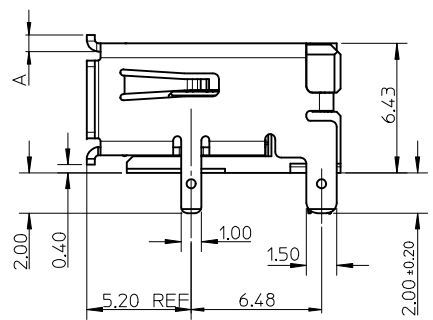
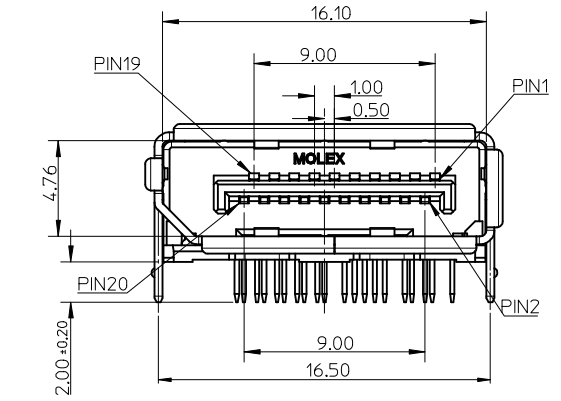
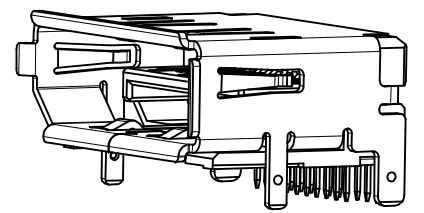


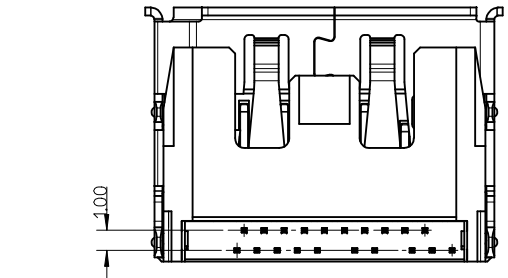
NOTES:

- MATERIAL,
 - HOUSING:HIGH TEMPERATURE THERMAL PLASTIC BLACK 30% GLASS FILLED,UL94V-0.
 - GUIDE:HIGH TEMPERATURE THERMAL PLASTIC BLACK 30% GLASS FILLED,UL94V-0.
 - TERMINAL: COPPER ALLOY
 - SHELL: STAINLESS STEEL FOR THE PART WITHOUT FLANGE AND PHOSPHOR BRONZE FOR PART WITH FLANGE
- PLATING:
 - TERMINAL:CONTACT AREA (1) 0.76MICROMETER GOLD PLATING
 - (2) 0.10MICROMETER MIN. GOLD PLATING OVER 0.64MICROMETER MIN. PALLADIUM/NICKEL
 - (3) 0.38MICROMETER GOLD PLATING
 - (4) GOLD FLASH PLATING
 - AND SOLDER TAIL:(a) 1~3MICROMETER MATTE TIN PLATING (b)GOLD FLASH PLATING
 - UNDER PLATING 1~3 MICROMETER NICKEL PLATING OVERALL
 - SHELL:1.27~2.54 MICROMETER SOLDERABLE NICKEL PLATING OVERALL
- PRODUCT COMPLANT TO ROHS DIERTIVE 2002/95/EC AND ELV DIRECTIVE 2000/53/EC



RECOMMENDER PCB LAYOUT(THINKNESS=1.6+0.15)

BOTTOM VIEW

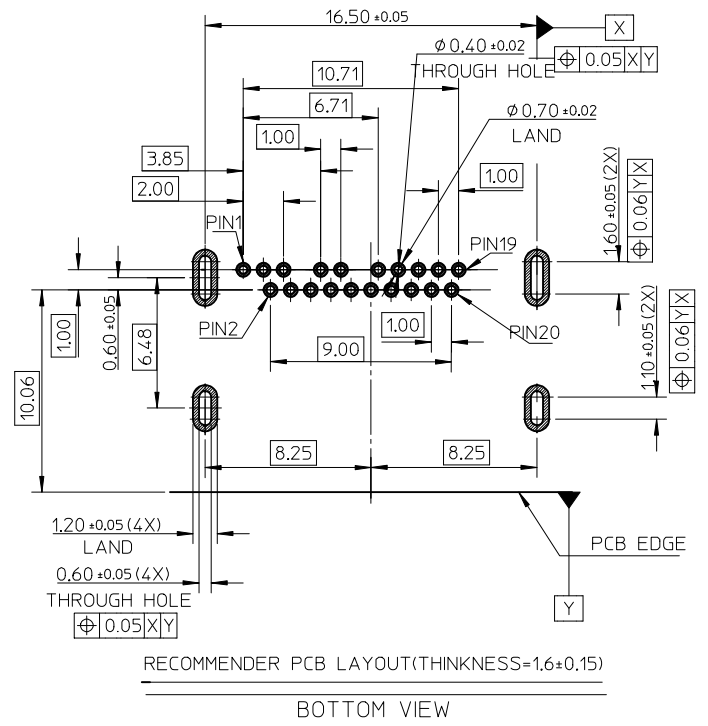
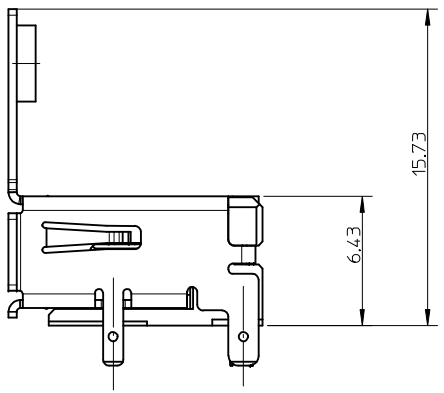
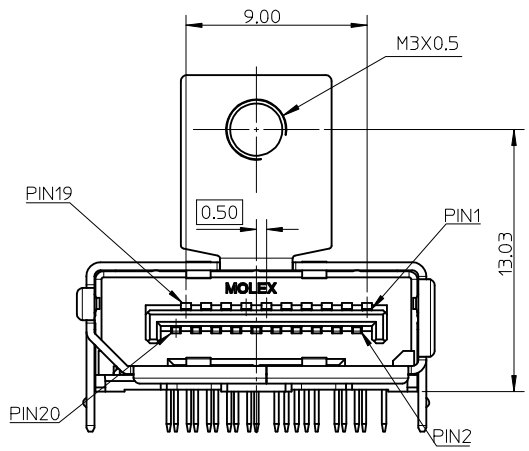
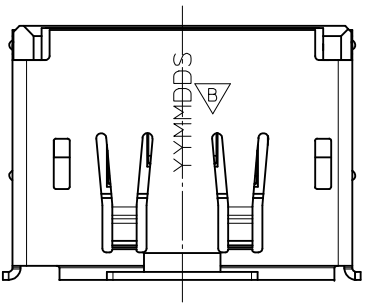
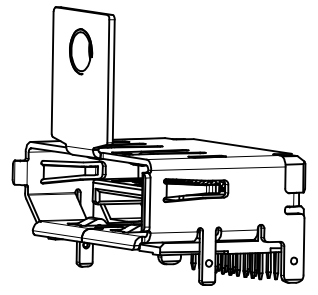


REVISED EC NO: SH2013-0046 2013/10/30 DR:WZRZHANG 2013/10/30 CH:KDRZHANG APPR:AYIN 2013/12/31	DESCRIPTION REV	QUALITY SYMBOLS	GENERAL TOLERANCES (UNLESS SPECIFIED)		DIMENSION STYLE	SCALE	DESIGN UNITS	THIRD ANGLE PROJECTION	
		$F_{\Delta}=0$	mm	INCH	MM ONLY	1:1	METRIC		
		$F_{\square}=0$	4 PLACES ± --- ± ---		DRAWN BY	DATE	TITLE		
		$F_{\phi}=0$	3 PLACES ± --- ± ---		CHECKED BY	DATE	1.0MM PITCH DIP TYPE DISPLAY PORT HEADER		
			2 PLACES ± 0.2 ± ---		APPROVED BY	DATE	MOLEX INCORPORATED		
			1 PLACE ± 0.2 ± ---		JNCHEN	2007-05-21	DOCUMENT NO. SD-105020-001		
			ANGULAR ± 3 °		MATERIAL NO. SEE SHEET 4		SHEET NO. 1 OF 4		
D6			DRAFT WHERE APPLICABLE MUST REMAIN WITHIN DIMENSIONS		THIS DRAWING CONTAINS INFORMATION THAT IS PROPRIETARY TO MOLEX INCORPORATED AND SHOULD NOT BE USED WITHOUT WRITTEN PERMISSION				

10 9 8 7 6 5 4 3 2 1

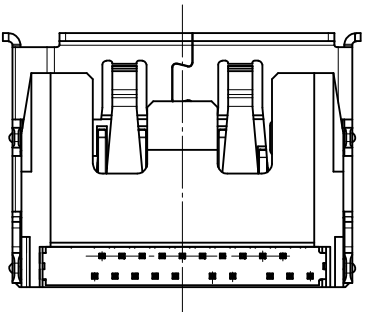
WITH FLANGE

NOTES:
UNSPECIFIED DIMENSION ARE SAME AS SHEET1



RECOMMENDER PCB LAYOUT(THICKNESS=1.6±0.15)

BOTTOM VIEW

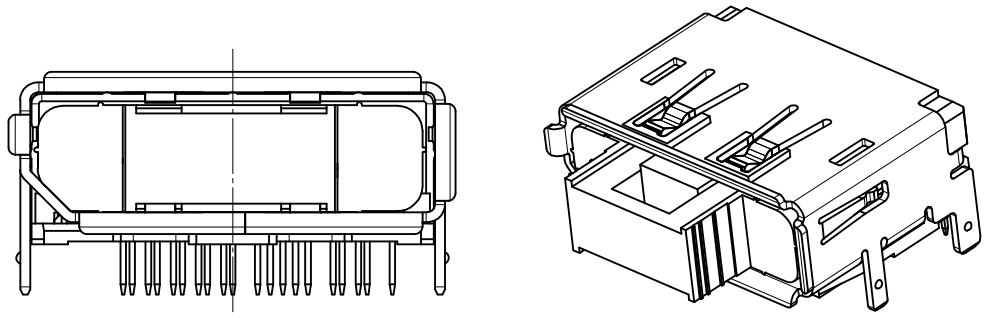


SEE SHEET 1 EC NO: SH2013-0046 DRWNR:ZHANG 2013/10/30 CHKD:RZHANG 2013/10/30 APPR:AYIN 2013/12/31	QUALITY SYMBOLS F=0 F=0 F=0	GENERAL TOLERANCES (UNLESS SPECIFIED)		DIMENSION STYLE MM ONLY	SCALE 1:1	DESIGN UNITS METRIC	THIRD ANGLE PROJECTION		
		4 PLACES ± --- ± --- 3 PLACES ± --- ± --- 2 PLACES ± 0.2 ± --- 1 PLACE ± 0.2 ± ---	mm INCH	DRAWN BY HHE	DATE 2007-05-21	TITLE 1.0MM PITCH DIP TYPE DISPLAY PORT HEADER			
		ANGULAR ± 3 °		CHECKED BY HWWANG	DATE 2007-05-21	MOLEX INCORPORATED			
		DRAFT WHERE APPLICABLE MUST REMAIN WITHIN DIMENSIONS		APPROVED BY JNCHEN	DATE 2007-05-21	MATERIAL NO. SEE SHEET 4	DOCUMENT NO. SD-105020-001	SHEET NO. 2 OF 4	

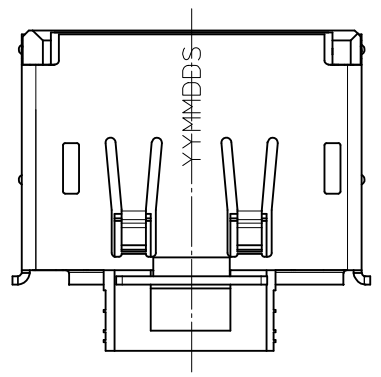
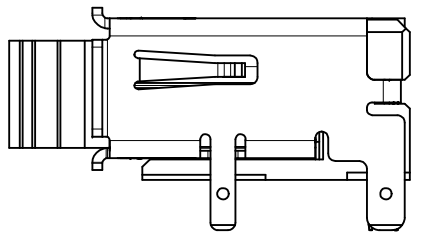
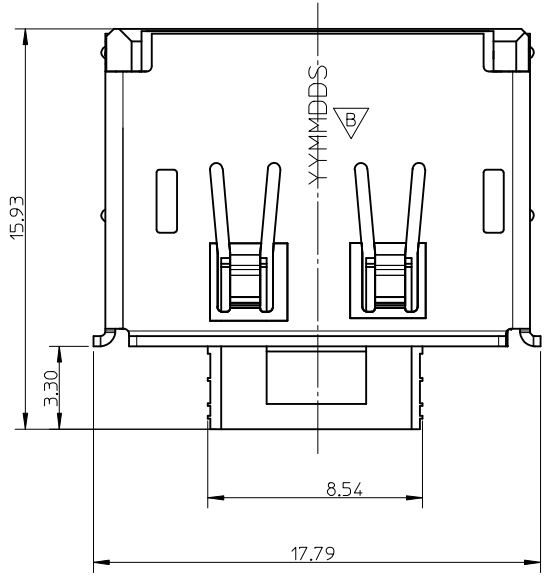
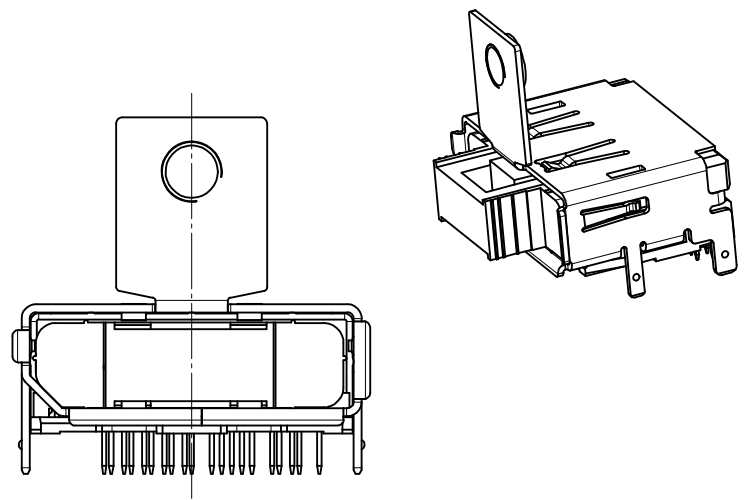
9 8 7 6 5 4 3 2 1

10 9 8 7 6 5 4 3 2 1

WITH COVER



WITH FLANGE AND COVER



- NOTES:
 1.UNSPECIFIED DIMENSION ARE SAME AS SHEET1
 2.CONNECTOR WITH COVER IS RECOMMENDED FOR WAVING SOLDERING PEG
 3.PCB DIMENSION REFER TO SHEET1

- NOTES:
 1.UNSPECIFIED DIMENSION ARE SAME AS SHEET1
 2.CONNECTOR WITH COVER IS RECOMMENDED FOR WAVING SOLDERING PEG
 3.PCB DIMENSION REFER TO SHEET1

SEE SHEET 1 EC NO: SH2013-0046 DRWNR:ZHANG 2013/10/30 CHKDR:ZHANG 2013/10/30 APPR:AYIN 2013/12/31	QUALITY SYMBOLS $F_A=0$ $F_G=0$ $F_P=0$	GENERAL TOLERANCES (UNLESS SPECIFIED)		DIMENSION STYLE	SCALE	DESIGN UNITS	THIRD ANGLE PROJECTION	
				MM ONLY	1:1	METRIC		
				DRAWN BY	DATE	TITLE		
				4 PLACES ± --- ± ---	HHE	2007-05-21		10MM PITCH DIP TYPE DISPLAY PORT HEADER
D6	REV	DRAFT WHERE APPLICABLE MUST REMAIN WITHIN DIMENSIONS		CHECKED BY	DATE	MOLEX INCORPORATED		
				3 PLACES ± --- ± ---	HWWANG	2007-05-21	SD-105020-001	
				2 PLACES ± 0.2 ± ---	APPROVED BY	DATE	SHEET NO.	
				1 PLACE ± 0.2 ± ---	JNCHEN	2007-05-21	3 OF 4	
		ANGULAR ± 3 °		MATERIAL NO.	DOCUMENT NO.	THIS DRAWING CONTAINS INFORMATION THAT IS PROPRIETARY TO MOLEX INCORPORATED AND SHOULD NOT BE USED WITHOUT WRITTEN PERMISSION		
				SEE SHEET 4				

9 8 7 6 5 4 3 2 1

ASSEMBLY NO.	FLANGE	PLATING IN THE CONTACT AREA	PLATING IN THE SOLDER TAIL AREA	WITH COVER	REMARK	PACKAGE	A	SHELL MATERIAL
1050200001	WITHOUT	SEE NOTE2(1)	SEE NOTE2(a)	WITHOUT	FOR SHEET 1	PK-105020-001	0.82	STAINLESS STEEL
1050200251		SEE NOTE2(2)						
1050200003		SEE NOTE2(3)						
1050200004		SEE NOTE2(4)						
1050200013	WITH	SEE NOTE2(1)	SEE NOTE2(b)	WITHOUT	FOR SHEET 2	PK-105020-002	NONE	PHOSPHOR BRONZE
1050200002		SEE NOTE2(1)						
1050200252		SEE NOTE2(2)						
1050200005		SEE NOTE2(3)						
1050200016	WITHOUT	SEE NOTE2(4)	SEE NOTE2(a)	WITH	FOR SHEET 3	PK-105020-102	0.82	STAINLESS STEEL
1050200007		SEE NOTE2(1)						
1050200257		SEE NOTE2(2)						
1050200008		SEE NOTE2(1)						
1050200008	WITH	SEE NOTE2(1)	SEE NOTE2(a)	WITH	FOR SHEET 3	PK-105020-102	0.82	STAINLESS STEEL
1050200258	SEE NOTE2(2)							
1050200009	WITHOUT	SEE NOTE2(3)						
1050200010	SEE NOTE2(4)							
1050200011	WITH	SEE NOTE2(3)	SEE NOTE2(a)	WITH	FOR SHEET 3	PK-105020-102	0.82	STAINLESS STEEL
1050200012	SEE NOTE2(4)							
1050200012	WITH	SEE NOTE2(3)						
1050200121	WITHOUT	SEE NOTE2(1)						
1050200121	WITHOUT	SEE NOTE2(1)	WITHOUT	FOR SHEET 1	PK-105020-003	1.35	STAINLESS STEEL	

SEE SHEET 1 EC NO: SH2013-0046 2013/10/30 DR:WZRZHANG 2013/10/30 CH:KDFZHANG 2013/10/30 APPR:AYIN 2013/12/31	QUALITY SYMBOLS	GENERAL TOLERANCES (UNLESS SPECIFIED)		DIMENSION STYLE MM ONLY		SCALE 1:1	DESIGN UNITS METRIC	THIRD ANGLE PROJECTION
	$F_A=0$	4 PLACES	mm	INCH	DRAWN BY HHE	DATE 2007-05-21	TITLE 1.0MM PITCH DIP TYPE DISPLAY PORT HEADER	
	$F_B=0$	3 PLACES	± ---	± ---	CHECKED BY HWWANG	DATE 2007-05-21	MOLEX INCORPORATED	
	$F_C=0$	2 PLACES	± 0.2	± ---	APPROVED BY JNCHEN	DATE 2007-05-21	DOCUMENT NO. SD-105020-001	SHEET NO. 4 OF 4
$F_D=0$	1 PLACE	± 0.2	± ---	MATERIAL NO. SEE TABLE		THIS DRAWING CONTAINS INFORMATION THAT IS PROPRIETARY TO MOLEX INCORPORATED AND SHOULD NOT BE USED WITHOUT WRITTEN PERMISSION		
DRAFT WHERE APPLICABLE MUST REMAIN WITHIN DIMENSIONS		ANGULAR ± 3 °						