

LX | Levelling feet

Technopolymer base, steel stem

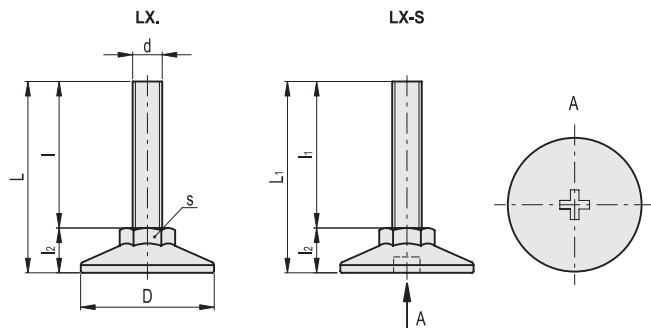
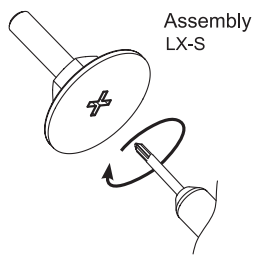


- 1
- 2
- 3
- 4
- 5
- 6
- 7
- 8
- 9
- 10
- 11
- 12
- 13
- 14
- 15
- 16
- 17
- 18

BASE
Polyamide based (PA) technopolymer with adjusting hexagon, black colour, matte finish.

STANDARD EXECUTIONS

- **LX**: zinc-plated steel threaded stem.
- **LX-S**: zinc-plated steel threaded stem, base with screwdriver slot.
- **LX-AS**: zinc-plated steel threaded stem, base with SBR rubber no-slip disk, supplied assembled to the base.



Conversion Table	
1 mm = 0.039 inch	
D	
mm	inch
25	0.98

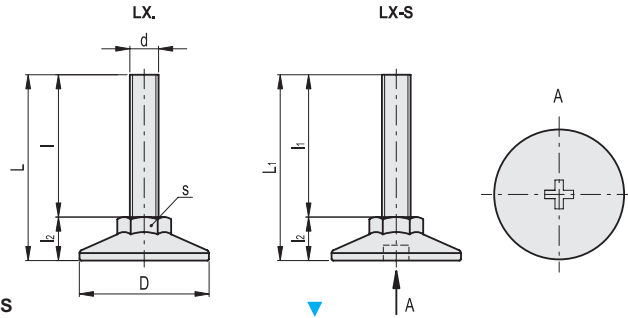
METRIC

LX		LX-S											
Code	Description	Code	Description	D	d	L	L1	l	l1	l2	s	Max. limit static load* [N]	⚖️
431001	LX.25-SW13-M6x24	431001-S	LX.25-SW13-M6x26-S	25	M6	35	37	24	26	11	13	1500	8
431003	LX.25-SW13-M6x34	431003-S	LX.25-SW13-M6x36-S	25	M6	45	47	34	36	11	13	1500	10
431005	LX.25-SW13-M6x54	431005-S	LX.25-SW13-M6x56-S	25	M6	65	67	54	56	11	13	1500	14
431007	LX.25-SW13-M6x62	431007-S	LX.25-SW13-M6x64-S	25	M6	73	75	62	64	11	13	1500	16
431011	LX.25-SW13-M8x17	431011-S	LX.25-SW13-M8x19-S	25	M8	28	30	17	19	11	13	2500	10
431013	LX.25-SW13-M8x22	431013-S	LX.25-SW13-M8x24-S	25	M8	33	35	22	24	11	13	2500	12
431015	LX.25-SW13-M8x32	431015-S	LX.25-SW13-M8x32-S	25	M8	43	45	32	32	11	13	2500	14
431017	LX.25-SW13-M8x52	431017-S	LX.25-SW13-M8x54-S	25	M8	63	65	52	54	11	13	2500	18
431019	LX.25-SW13-M8x72	431019-S	LX.25-SW13-M8x74-S	25	M8	83	85	72	74	11	13	2500	22

* The max static load is the value above which the load applied to the element may cause some plastic material breakage, in particular conditions of use. Obviously, a factor that takes into consideration the importance and the safety level of the specific application must be applied to this value.

Levelling feet and supports

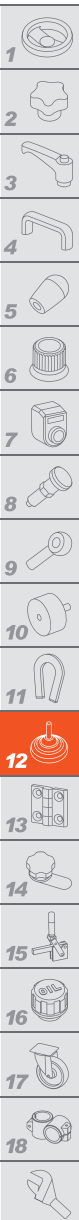
Conversion Table 1 mm = 0.039 inch	
D	
mm	inch
30	1.18
40	1.57
50	1.97
60	3.15

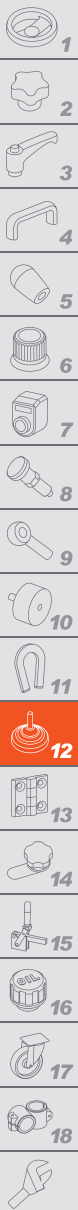


METRIC

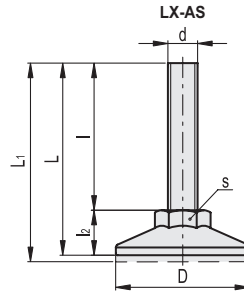
LX		LX-S		METRIC									
Code	Description	Code	Description	D	d	L	L1	l	l1	l2	s	Max. limit static load * [N]	Δ
431051	LX.30-SW17-M6x22	431051-S	LX.30-SW17-M6x26-S	30	M6	35	38	23	26	12	17	1500	14
431053	LX.30-SW17-M6x32	431053-S	LX.30-SW17-M6x36-S	30	M6	45	48	33	36	12	17	1500	16
431055	LX.30-SW17-M6x52	431055-S	LX.30-SW17-M6x56-S	30	M6	65	68	53	56	12	17	1500	20
431057	LX.30-SW17-M8x16	431057-S	LX.30-SW17-M8x18-S	30	M8	28	31	16	19	12	17	2500	17
431059	LX.30-SW17-M8x21	431059-S	LX.30-SW17-M8x23-S	30	M8	33	36	21	24	12	17	2500	18
431061	LX.30-SW17-M8x31	431061-S	LX.30-SW17-M8x33-S	30	M8	43	46	31	34	12	17	2500	20
431063	LX.30-SW17-M8x51	431063-S	LX.30-SW17-M8x53-S	30	M8	63	66	51	54	12	17	2500	24
431065	LX.30-SW17-M8x71	431065-S	LX.30-SW17-M8x73-S	30	M8	83	86	71	74	12	17	2500	28
431067	LX.30-SW17-M10x16	431067-S	LX.30-SW17-M10x18-S	30	M10	28	31	16	19	12	17	3000	21
431069	LX.30-SW17-M10x21	431069-S	LX.30-SW17-M10x23-S	30	M10	33	36	21	24	12	17	3000	22
431071	LX.30-SW17-M10x31	431071-S	LX.30-SW17-M10x33-S	30	M10	43	46	31	34	12	17	3000	24
431073	LX.30-SW17-M10x41	431073-S	LX.30-SW17-M10x43-S	30	M10	53	56	41	44	12	17	3000	26
431075	LX.30-SW17-M10x51	431075-S	LX.30-SW17-M10x53-S	30	M10	63	66	51	54	12	17	3000	28
431077	LX.30-SW17-M10x61	431077-S	LX.30-SW17-M10x63-S	30	M10	73	76	61	64	12	17	3000	30
431079	LX.30-SW17-M10x71	431079-S	LX.30-SW17-M10x73-S	30	M10	83	86	71	74	12	17	3000	32
431031	LX.40-SW17-M8x12	431031-S	LX.40-SW17-M8x14-S	40	M8	24.5	26.5	11.5	13	13.5	17	2500	20
431033	LX.40-SW17-M8x20	431033-S	LX.40-SW17-M8x22-S	40	M8	32.5	34.5	19.5	21	13.5	17	2500	22
431035	LX.40-SW17-M8x30	431035-S	LX.40-SW17-M8x32-S	40	M8	42.5	44.5	29.5	31	13.5	17	2500	24
431037	LX.40-SW17-M8x50	431037-S	LX.40-SW17-M8x52-S	40	M8	62.5	64.5	49.5	51	13.5	17	2500	26
431039	LX.40-SW17-M8x70	431039-S	LX.40-SW17-M8x72-S	40	M8	82.5	84.5	69.5	71	13.5	17	2500	29
431041	LX.40-SW17-M10x20	431041-S	LX.40-SW17-M10x22-S	40	M10	32	34	18.5	21	13.5	17	3000	24
431042	LX.40-SW17-M10x30	431042-S	LX.40-SW17-M10x32-S	40	M10	42	44	28.5	31	13.5	17	3000	26
431043	LX.40-SW17-M10x40	431043-S	LX.40-SW17-M10x42-S	40	M10	52	54	38.5	41	13.5	17	3000	28
431044	LX.40-SW17-M10x50	431044-S	LX.40-SW17-M10x52-S	40	M10	62	64	48.5	51	13.5	17	3000	31
431045	LX.40-SW17-M10x60	431045-S	LX.40-SW17-M10x62-S	40	M10	72	74	58.5	61	13.5	17	3000	34
431046	LX.40-SW17-M10x70	431046-S	LX.40-SW17-M10x72-S	40	M10	82	84	68.5	71	13.5	17	3000	37
431049	LX.40-SW17-M10x100	431049-S	LX.40-SW17-M10x102-S	40	M10	112.5	114.5	99	101	13.5	17	3000	46
431047	LX.40-SW17-M12x50	431047-S	LX.40-SW17-M12x52-S	40	M12	62.5	64.5	49	51	13.5	17	5000	34
431048	LX.40-SW17-M12x70	431048-S	LX.40-SW17-M12x72-S	40	M12	82.5	84.5	69	71	13.5	17	5000	40
431050	LX.40-SW17-M12x100	431050-S	LX.40-SW17-M12x102-S	40	M12	112.5	114.5	99	101	13.5	17	5000	50
431081	LX.50-SW19-M10x46	431081-S	LX.50-SW19-M10x51-S	50	M10	64	66	47	49	17	19	3000	64
431082	LX.50-SW19-M10x66	431082-S	LX.50-SW19-M10x71-S	50	M10	84	86	67	69	17	19	3000	68
431083	LX.50-SW19-M10x96	431083-S	LX.50-SW19-M10x101-S	50	M10	114	116	97	99	17	19	3000	75
431084	LX.50-SW19-M12x46	431084-S	LX.50-SW19-M12x51-S	50	M12	64	66	47	49	17	19	5000	67
431085	LX.50-SW19-M12x66	431085-S	LX.50-SW19-M12x71-S	50	M12	84	86	67	69	17	19	5000	72
431086	LX.50-SW19-M12x96	431086-S	LX.50-SW19-M12x101-S	50	M12	114	116	97	99	17	19	5000	79
431091	LX.60-SW24-M12x44	431091-S	LX.60-SW24-M12x48-S	60	M12	64.5	64.5	45.5	47.5	19	24	5000	67
431092	LX.60-SW24-M12x64	431092-S	LX.60-SW24-M12x68-S	60	M12	84.5	84.5	65.5	67.5	19	24	5000	73
431093	LX.60-SW24-M12x94	431093-S	LX.60-SW24-M12x98-S	60	M12	114.5	114.5	95.5	97.5	19	24	5000	82
431094	LX.60-SW24-M16x68	431094-S	LX.60-SW24-M16x69-S	60	M16	87	84.5	68	70	19	24	7500	102
431095	LX.60-SW24-M16x108	431095-S	LX.60-SW24-M16x109-S	60	M16	127	124.5	108	110	19	24	7500	132
431096	LX.60-SW24-M16x148	431096-S	LX.60-SW24-M16x149-S	60	M16	167	164.5	148	150	19	24	7500	156

* The max static load is the value above which the load applied to the element may cause some plastic material breakage, in particular conditions of use. Obviously, a factor that takes into consideration the importance and the safety level of the specific application must be applied to this value..





Conversion Table	
1 mm = 0.039 inch	
D	
mm	inch
25	0.98
30	1.18
40	1.57
50	1.97
60	3.15



METRIC

LX-AS

Code	Description	D	d	L	L1	l	l2	s	Max. limit static load* [N]	⚖
531001	LX.25-SW13-AS-M6x24	25	M6	35	36	24	11	13	1500	9
531003	LX.25-SW13-AS-M6x34	25	M6	45	46	34	11	13	1500	11
531005	LX.25-SW13-AS-M6x54	25	M6	65	66	54	11	13	1500	15
531007	LX.25-SW13-AS-M6x62	25	M6	73	74	62	11	13	1500	17
531011	LX.25-SW13-AS-M8x17	25	M8	28	29	17	11	13	2500	11
531013	LX.25-SW13-AS-M8x22	25	M8	33	34	22	11	13	2500	13
531015	LX.25-SW13-AS-M8x32	25	M8	43	44	32	11	13	2500	15
531017	LX.25-SW13-AS-M8x52	25	M8	63	64	52	11	13	2500	19
531019	LX.25-SW13-AS-M8x72	25	M8	83	84	72	11	13	2500	23
531051	LX.30-SW17-AS-M6x22	30	M6	34	35	22	12	17	1500	15
531053	LX.30-SW17-AS-M6x32	30	M6	44	45	32	12	17	1500	17
531055	LX.30-SW17-AS-M6x52	30	M6	64	65	52	12	17	1500	21
531057	LX.30-SW17-AS-M8x16	30	M8	28	29	16	12	17	2500	18
531059	LX.30-SW17-AS-M8x21	30	M8	33	34	21	12	17	2500	19
531061	LX.30-SW17-AS-M8x31	30	M8	42	43	31	12	17	2500	21
531063	LX.30-SW17-AS-M8x51	30	M8	63	64	51	12	17	2500	25
531065	LX.30-SW17-AS-M8x71	30	M8	83	84	71	12	17	2500	29
531067	LX.30-SW17-AS-M10x16	30	M10	28	29	16	12	17	3000	22
531069	LX.30-SW17-AS-M10x21	30	M10	33	34	21	12	17	3000	23
531071	LX.30-SW17-AS-M10x31	30	M10	43	44	31	12	17	3000	25
531073	LX.30-SW17-AS-M10x41	30	M10	53	54	41	12	17	3000	27
531075	LX.30-SW17-AS-M10x51	30	M10	63	65	51	12	17	3000	29
531077	LX.30-SW17-AS-M10x61	30	M10	73	74	61	12	17	3000	31
531079	LX.30-SW17-AS-M10x71	30	M10	83	84	71	12	17	3000	33
531031	LX.40-SW17-AS-M8x12	40	M8	24.5	25.5	11.5	13	17	2500	21
531033	LX.40-SW17-AS-M8x20	40	M8	32.5	33.5	19.5	13	17	2500	23
531035	LX.40-SW17-AS-M8x30	40	M8	42.5	43.5	29.5	13	17	2500	25
531037	LX.40-SW17-AS-M8x50	40	M8	62.5	63.5	49.5	13	17	2500	27
531039	LX.40-SW17-AS-M8x70	40	M8	82.5	83.5	69.5	13	17	2500	30
531041	LX.40-SW17-AS-M10x20	40	M10	32.5	33.5	19.5	13	17	3000	25
531042	LX.40-SW17-AS-M10x30	40	M10	42.5	43.5	29.5	13	17	3000	27
531043	LX.40-SW17-AS-M10x40	40	M10	52.5	53.5	39.5	13	17	3000	29
531044	LX.40-SW17-AS-M10x50	40	M10	62.5	63.5	49.5	13	17	3000	32
531045	LX.40-SW17-AS-M10x60	40	M10	72.5	73.5	59.5	13	17	3000	35
531046	LX.40-SW17-AS-M10x70	40	M10	82.5	83.5	69.5	13	17	3000	38
531047	LX.40-SW17-AS-M10x100	40	M10	112.5	113.5	99.5	13	17	3000	47
531048	LX.40-SW17-AS-M12x50	40	M12	62.5	63.5	49.5	13	17	5000	35
531049	LX.40-SW17-AS-M12x70	40	M12	82.5	83.5	69.5	13	17	5000	41
531050	LX.40-SW17-AS-M12x100	40	M12	112.5	113.5	99.5	13	17	5000	51
531081	LX.50-SW19-AS-M10x46	50	M10	62.5	63.5	45.5	17	19	3000	65
531082	LX.50-SW19-AS-M10x66	50	M10	82.5	83.5	65.5	17	19	3000	69
531083	LX.50-SW19-AS-M10x96	50	M10	112.5	113.5	95.5	17	19	3000	76
531084	LX.50-SW19-AS-M12x46	50	M12	62.5	63.5	45.5	17	19	5000	68
531085	LX.50-SW19-AS-M12x66	50	M12	82.5	83.5	65.5	17	19	5000	73
531086	LX.50-SW19-AS-M12x96	50	M12	112.5	113.5	95.5	17	19	5000	80
531091	LX.60-SW24-AS-M12x44	60	M12	62.5	63.5	43.5	19	24	5000	68
531092	LX.60-SW24-AS-M12x64	60	M12	82.5	83.5	63.5	19	24	5000	74
531093	LX.60-SW24-AS-M12x94	60	M12	112.5	113.5	93.5	19	24	5000	83
531094	LX.60-SW24-AS-M16x64	60	M16	82.5	83.5	63.5	19	24	7500	103
531095	LX.60-SW24-AS-M16x104	60	M16	122.5	123.5	103.5	19	24	7500	133
531096	LX.60-SW24-AS-M16x144	60	M16	162.5	163.5	143.5	19	24	7500	157

* The max static load is the value above which the load applied to the element may cause some plastic material breakage, in particular conditions of use. Obviously, a factor that takes into consideration the importance and the safety level of the specific application must be applied to this value.

Levelling feet and supports