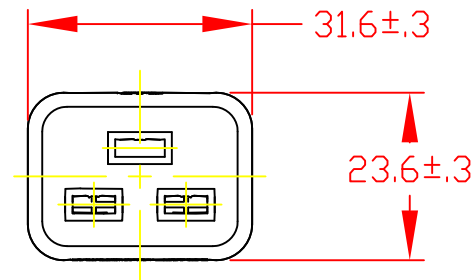
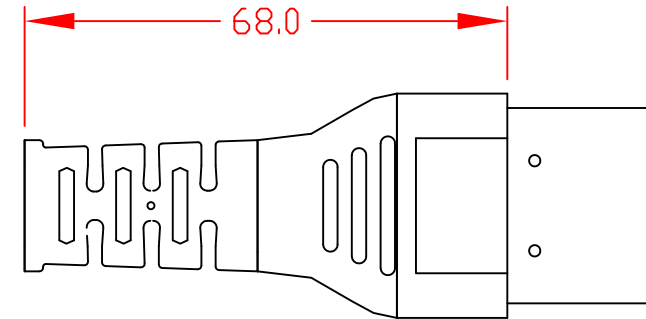
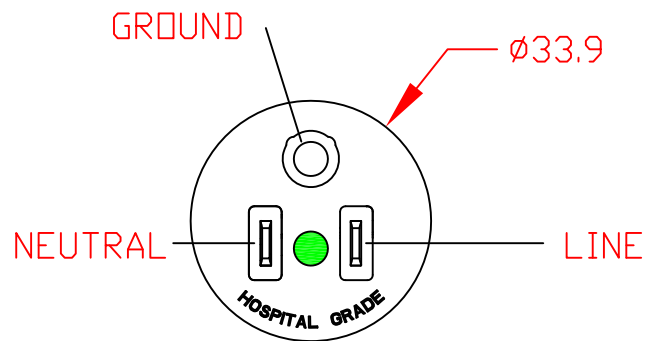
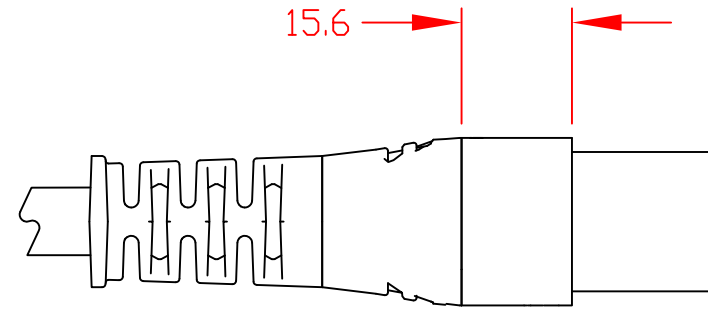
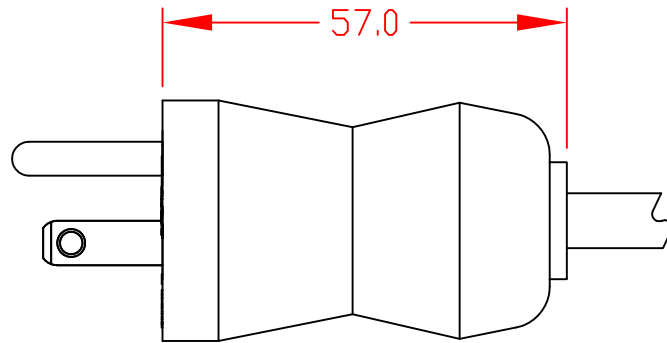


8½" x 11" (print at 1" = 25.4 units)



THIS DOCUMENT AND ITS CONTENTS ARE THE PROPRIETARY CONFIDENTIAL PROPERTY OF INTERPOWER CORPORATION. NO USE OR COPIES MAY BE MADE WITHOUT WRITTEN PERMISSION FROM INTERPOWER CORPORATION.

REV	CHANGE DESCRIPTION	INITIALS	DATE
E	Relocated green dot to new location; removed misc. markings.	DDF	6/14/17
D	Updated plug views, rescaled title block, made dims 1 plc decimal	ATS	06/11/15
C	CHANGED FROM 011 C19 CONNECTOR TO 068 C19 CONNECTOR		10-5-12
B	Updated description in title block to say "Hospital Grade"	DDF	3-05-12
A	Replaced L/N blades & ground pin		5-28-10

DIMENSIONS IN MILLIMETERS		TITLE:
DRAFT BY: JPC	DATE: 12-16-02	North American Hospital Grade Cord Set
DRAFTING APPROVAL: DDF	DATE: 10-10-12	PART NUMBER: 86611610
MATERIAL: PVC	DO NOT SCALE	INTERPOWER CORPORATION
	SHEET 1 OF 1	