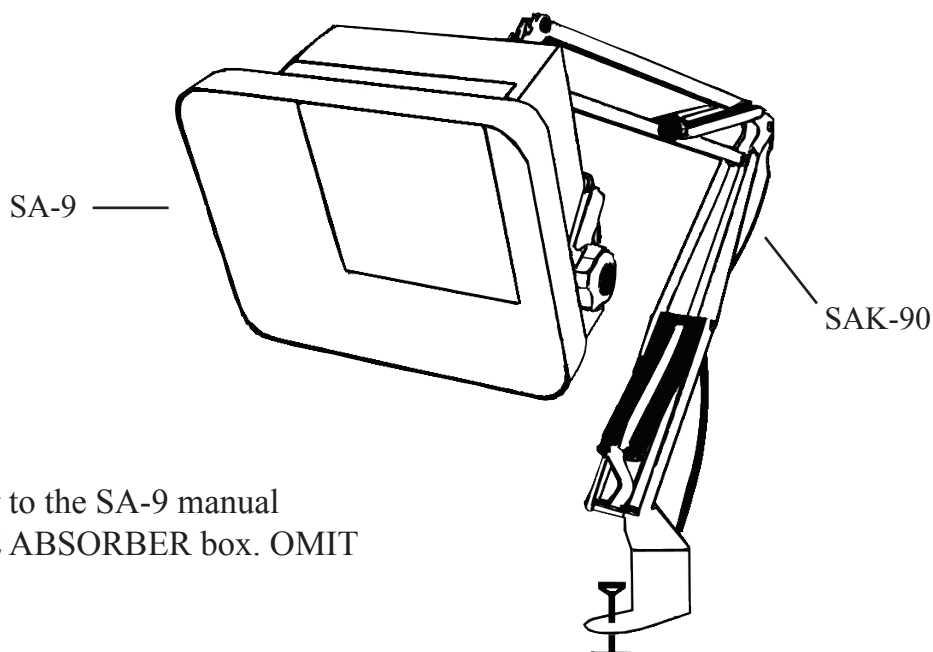


## SA-90 SERIES ARM-MOUNTED FUME ABSORBER SAK-90 CONVERSION KIT

### ASSEMBLY INSTRUCTIONS

Congratulations on your purchase of our SA-90/SAK-90 Fume Absorber System. This unit has been tested and inspected by OK Industries prior to shipment. We appreciate your comments and suggestions. Please feel free to contact us directly:

### PLEASE FOLLOW THESE INSTRUCTIONS:



- (1) SA-90 SERIES - Please refer to the SA-9 manual contained in the SA-9 FUME ABSORBER box. OMIT STEP #1.
- (1a) SAK-90 Remove the exhaust air deflector from the rear of your SA-9 series FUME ABSORBER.
- (2) Using the thumb-screws provided with the SA-9 mount the SA-9 to the “U” shaped bracket.

***IMPORTANT: YOU MUST ROUTE THE POWER CORD BELOW THE “U” SHAPED BRACKET***

- (3) Use the two cable guides provided to hide the power cord along the outside sections of the arm assembly. Simply push the guides over one of the arms on the SAK-90. Be sure to run power cord before pushing guide on to the arm.
- (4) Clamp the arm mounting bracket in a suitable location on the workbench, insert the arm assembly and connect the main power cord.