

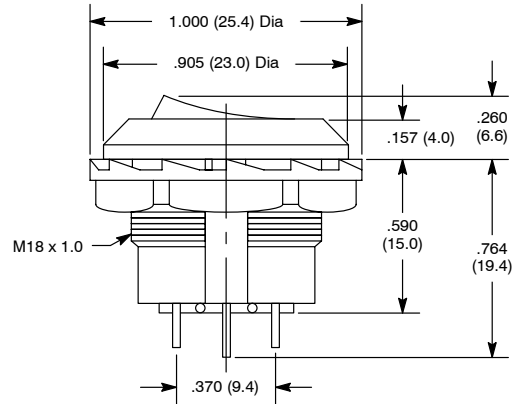
Round Hole Rocker Switches

Round Hole



| NTE Type No. | Circuitry | Action | | | Actuator | Legend | Diag No. |
|--------------|-----------|--------|------|-----|----------|--------|----------|
| 54-500 | SPST | ON | NONE | OFF | Nylon | Yes | S89 |
| 54-501 | SPDT | ON | NONE | ON | Nylon | No | S89 |
| 54-502 | DPDT | ON | NONE | ON | Nylon | No | S89 |

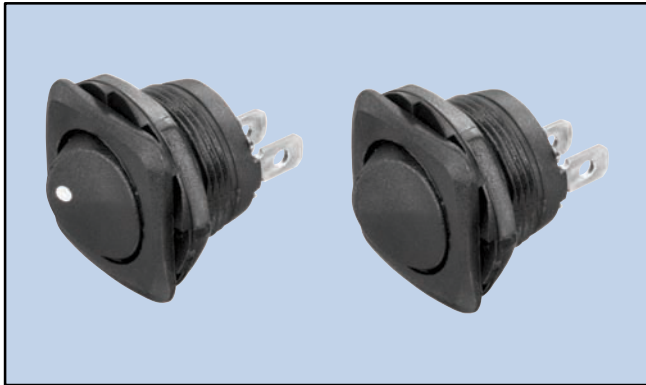
S89



Specifications

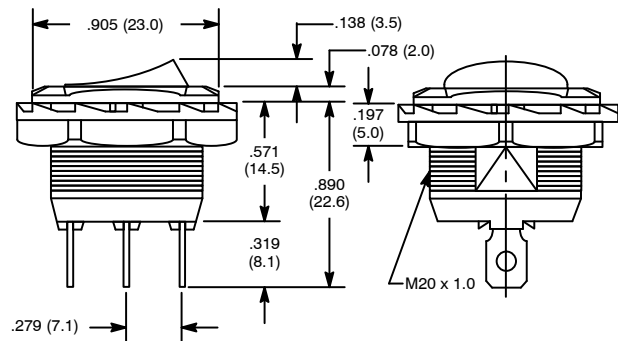
Current Rating: 10A 125VAC, 6A 250VAC
Insulation Resistance: 100 Megohms (min.) at 500VDC
Dielectric Strength: 1000V RMS (min.)
Temperature Rating: -4° to +149°F (-20° to +65°C)
Electrical Life: 6000 cycles (min.)
Mechanical Life: 100,000 cycles (min.)
Terminal Type: Solder Lug
Mounting Hole: .717 (18.2)

Round Hole



| NTE Type No. | Circuitry | Action | | | Actuator | Legend | Diag No. |
|--------------|-----------|--------|------|-------|----------|--------|----------|
| 54-510 | SPST | ON | NONE | OFF | Nylon | Yes | S93 |
| 54-511 | SPDT | ON | OFF | ON | Nylon | No | S93 |
| 54-512 | SPDT | ON | NONE | ON | Nylon | No | S93 |
| 54-543 | SPST | (ON) | NONE | OFF | Nylon | Yes | S93 |
| 54-544 | SPST | ON | NONE | (OFF) | Nylon | Yes | S93 |
| 54-545 | SPDT | ON | NONE | (ON) | Nylon | Yes | S93 |
| 54-546 | SPDT | ON | OFF | (ON) | Nylon | Yes | S93 |
| 54-548 | SPDT | (ON) | OFF | (ON) | Nylon | No | S93 |

S93



Specifications

Current Rating: 16A 125VAC, 10A 250VAC
Insulation Resistance: 100 Megohms (min.) at 500VDC
Dielectric Strength: 1500V RMS (min.)
Temperature Rating: -4° to +149°F (-20° to +65°C)
Electrical Life: 6000 cycles (min.)
Mechanical Life: 100,000 cycles (min.)
Terminal Type: .185" Tab Q.C.
Mounting Hole: .795 (20.2)

SPECIAL NOTE: () = Momentary Function

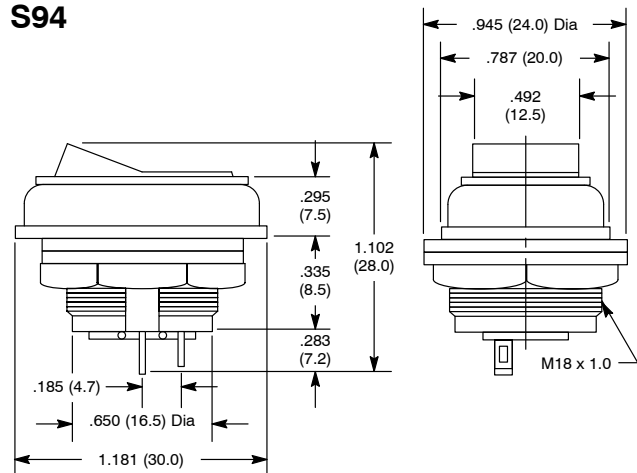
Round Hole Rocker Switches

Round Hole



| NTE Type No. | Circuitry | Action | | | Actuator | Legend | Diag No. |
|--------------|-----------|--------|------|-----|----------|--------|----------|
| 54-514 | SPST | ON | NONE | OFF | Nylon | Yes | S94 |
| 54-515 | SPDT | ON | NONE | ON | Nylon | No | S94 |
| 54-516 | DPDT | ON | NONE | ON | Nylon | No | S94 |

S94



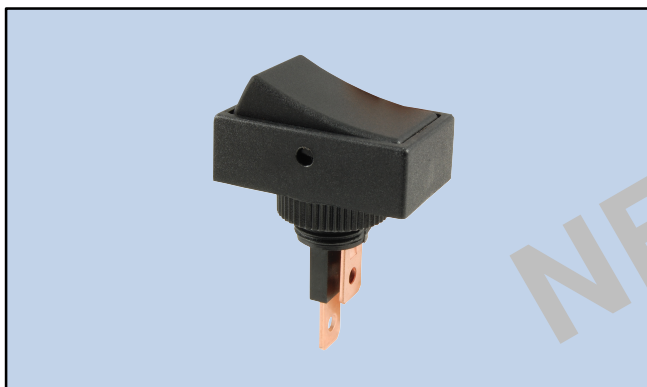
Specifications

Current Rating: 6A 125VAC, 3A 250VAC
Insulation Resistance: 100 Megohms (min.) at 500VDC
Dielectric Strength: 1500V RMS (min.)
Temperature Rating: -4° to +149°F (-20° to +65°C)
Electrical Life: 6,000 cycles (min.)
Mechanical Life: 100,000 cycles (min.)
Terminal Type: Solder Lug
Mounting Hole: .717 (18.2)

Round Hole

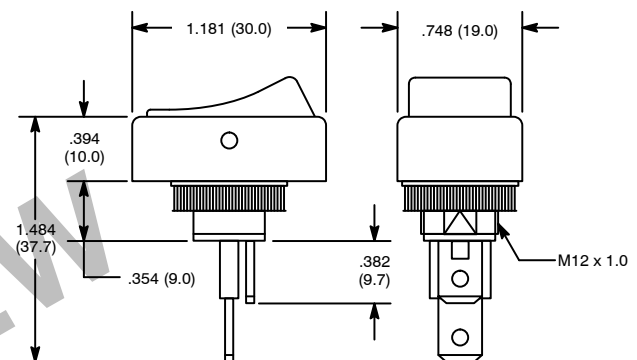
Features

- Illuminated Types Available on Page 180



| NTE Type No. | Circuitry | Action | | | Actuator | Legend | Diag No. |
|--------------|-----------|--------|------|-----|----------|--------|----------|
| 54-709 | SPST | ON | NONE | OFF | Nylon | No | S139 |

S139



Specifications

Current Rating: 30A 12VDC, 15A 24VDC, 1/4 HP 125V to 250V
Insulation Resistance: 100 Megohms (min.) at 500VDC
Dielectric Strength: 1500V RMS (min.)
Temperature Rating: -4° to +149°F (-20° to +65°C)
Electrical Life: 6,000 cycles
Mechanical Life: 10,000 cycles
Terminal Type: .250" Tab Q.C.
Mounting Hole: .480 (12.2)

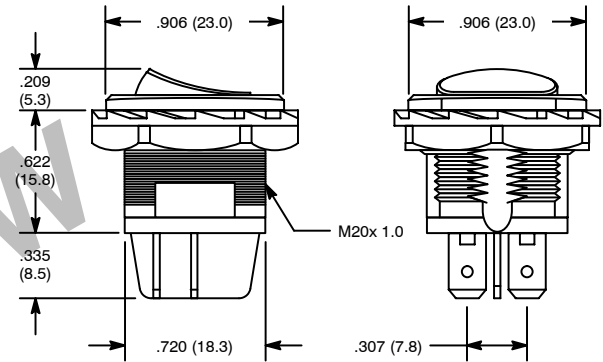
Round Hole Rocker Switches

Round Hole, Square Bezel



| NTE Type No. | Circuitry | Action | | | Actuator | Legend | Diag No. |
|--------------|-----------|--------|------|-----|----------|--------|----------|
| 54-710 | DPST | ON | NONE | OFF | Nylon | No | S140 |

S140



Specifications

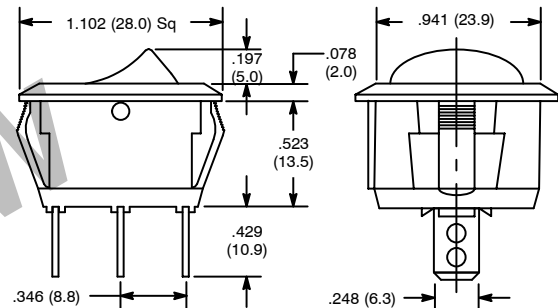
Current Rating: 10A 250VAC, 16A 125VAC
Insulation Resistance: 100 Megohms (min.) at 500VDC
Dielectric Strength: 1500V RMS (min.)
Temperature Rating: -13° to +185°F (-25° to +85°C)
Electrical Life: 6,000 cycles
Mechanical Life: 10,000 cycles
Terminal Type: .187" Tab Q.C.
Mounting Hole: .795 (20.2)

Round Hole, Square Bezel



| NTE Type No. | Circuitry | Action | | | Actuator | Legend | Diag No. |
|--------------|-----------|--------|------|-----|----------|--------|----------|
| 54-733 | SPST | ON | NONE | OFF | PC | Yes | S144 |

S144



Specifications

Current Rating: 25A 12VDC
Insulation Resistance: 100 Megohms (min.) at 500VDC
Dielectric Strength: 1500V RMS (min.)
Temperature Rating: -4° to +149°F (-20° to +65°C)
Electrical Life: 6,000 cycles
Mechanical Life: 10,000 cycles
Terminal Type: .250" Tab Q.C.
Mounting Hole: .945 (24.0)

Round Hole Rocker Switches

Snap-In Round Hole



Features

- Waterproof Types Available on Page 172



| NTE Type No. | Circuitry | Action | | | Actuator | Legend | Diag No. |
|--------------|-----------|--------|------|-------|----------|--------|----------|
| 54-503 | SPST | ON | NONE | OFF | Nylon | Yes | S90 |
| 54-504 | SPDT | ON | OFF | ON | Nylon | No | S90 |
| 54-505 | SPDT | ON | NONE | ON | Nylon | No | S90 |
| 54-520 | SPST (ON) | NONE | OFF | | Nylon | Yes | S90 |
| 54-521 | SPST | ON | NONE | (OFF) | Nylon | Yes | S90 |
| 54-522 | SPDT | ON | NONE | (ON) | Nylon | Yes | S90 |

SPECIAL NOTE: () = Momentary Function

S90

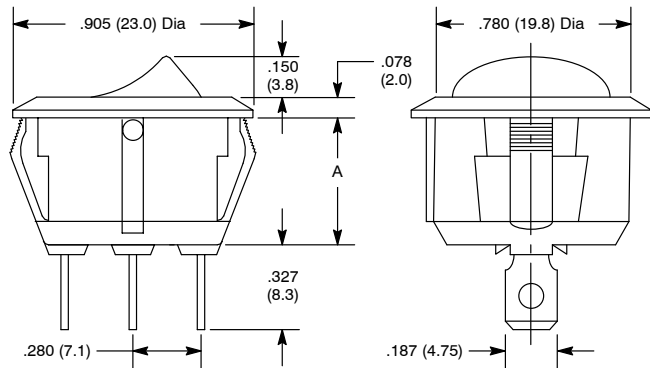


Table 1.

| Device Type | A |
|-------------|-------------|
| All Devices | .472 (12.0) |
| 54-504 | .570 (14.5) |

Specifications

- Current Rating:** 16A 125VAC, 10A 250VAC
- Insulation Resistance:** 100 Megohms (min.) at 500VDC
- Dielectric Strength:** 1500V RMS (min.)
- Temperature Rating:** -4° to +149°F (-20° to +65°C)
- Electrical Life:** 6000 cycles (min.)
- Mechanical Life:** 100,000 cycles (min.)
- Terminal Type:** .187" Tab Q.C.
- Mounting Hole:** .795 (20.2)

Round Hole, Square Bezel

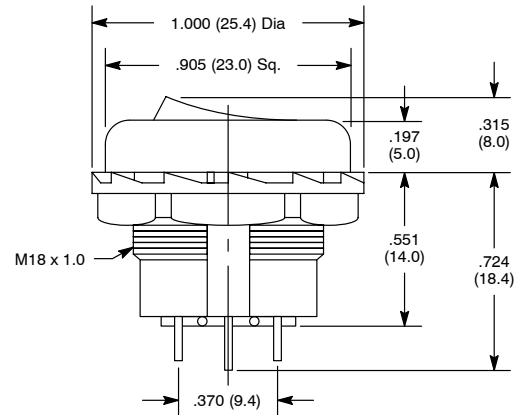
Features

- Single & Double Pole Types



| NTE Type No. | Circuitry | Action | | | Actuator | Legend | Diag No. |
|--------------|-----------|--------|------|-----|-----------|--------|----------|
| 54-507 | SPST | ON | NONE | OFF | Red Nylon | Yes | S92 |
| 54-508 | SPDT | ON | NONE | ON | Red Nylon | No | S92 |
| 54-509 | DPDT | ON | NONE | ON | Red Nylon | No | S92 |

S92



Specifications

- Current Rating:** 10A 125VAC, 6A 250VAC
- Insulation Resistance:** 100 Megohms (min.) at 500VDC
- Dielectric Strength:** 1500V RMS (min.)
- Temperature Rating:** -4° to +149°F (-20° to +65°C)
- Electrical Life:** 6000 cycles (min.)
- Mechanical Life:** 100,000 cycles (min.)
- Terminal Type:** Solder Lug
- Mounting Hole:** .717 (18.2)