

# Contactor

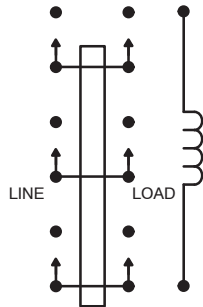
## RLY600 Series



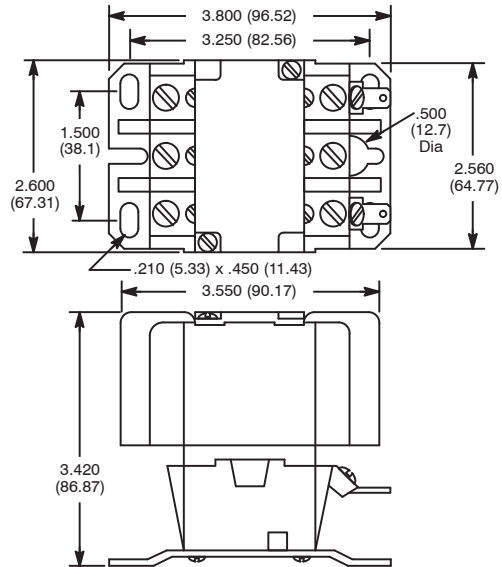
## Definite Purpose, 3PST-DM, 40 Amp, Magnetic Contactors

### Features

- Straight Through Wiring
- Heavy Duty
- Replaceable Contacts



### D80



## Electrical Specifications

**Tungsten Lamp Rating:** 50A, 277VAC  
**Electric Discharge Lamp Rating:** 50A, 277VAC (Wye)  
**Min. Load Current:** 1 Amp @ 120VAC  
**Duty:** Continuous

### Coil

**Power** ..... **Inrush:** 92VA  
**Steady State:** 12VA

**Duty:** Continuous

### Operational Characteristics

**Timing Value** ..... **Operate Time:** 25 mS  
**Release Time:** 25 mS

### Insulation Characteristics

**Initial Breakdown Voltage:** 2200V RMS

### Environmental Characteristics

**Operating:** -55°C to +65°C

### Life

**Mechanical:** 2,000,000 Operations  
**Electrical:** 200,000 Operations @ Full Load

**Note** It is not recommended to mount or operate contactors upside-down.

### AC OPERATED

NTE Type No.	Coils		Contacts		Diag No.
	Input Voltage	Nom. Power	Contact Arr.	Max. Contact Cur. @ 600VAC	
RLY655	120 VAC	12 VA	3PST-DM	40A	D80

Full Load	Motor Rating in Amps				Resistive Rating (Elect. Heat)
	Locked Rotor				
	@ 600VAC	@ 240VAC	@ 480VAC	@ 600VAC	
40A	240A	200A	160A	50A	

Motor Type	Motor Horsepower Ratings		
	@ 240VAC	@ 240VAC	@ 440-600VAC
	1Ø2P	2 HP	5 HP
3Ø3P	5 HP	10 HP	15 HP

### ACCESSORIES

DESCRIPTION	NTE TYPE NO.
Dual .250" Quick Connect Terminals	RLY9201
Box Lug	RLY9202
Replacement Contacts	RLY9203