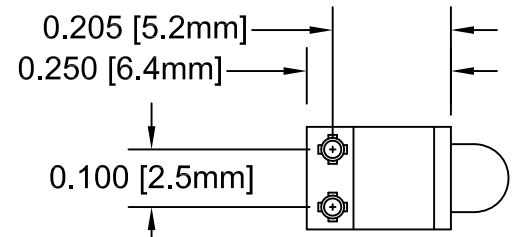
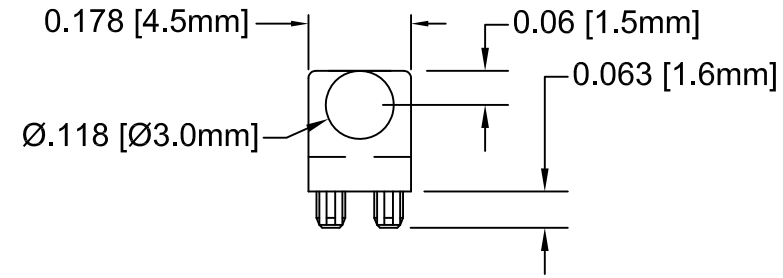
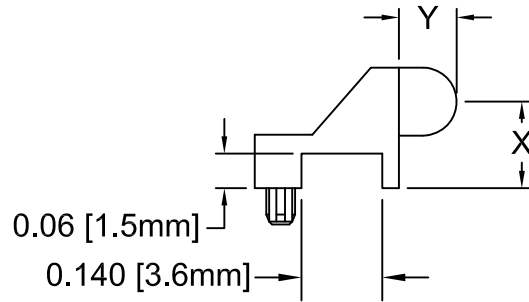
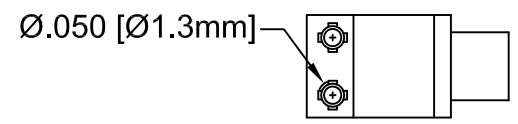


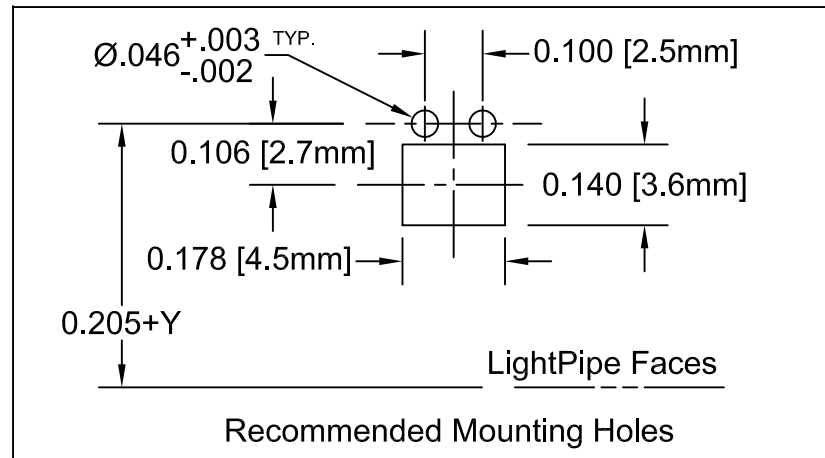
REV.	DESCRIPTION	DATE	APPROVED
F	Added P/Ns onto Offering List	10/31/13	G. W.
G	Edit Dimension Typo on Part Offering List, P.3	11/25/13	G. W.
H	Added Color Options, Sheet #4	02/02/16	J. C.
J	Added SLP3-350-200-F & SLP3-350-350-F, P.2	08/25/16	J. C.
K	Created MFG Drawing	07/29/21	A.V.



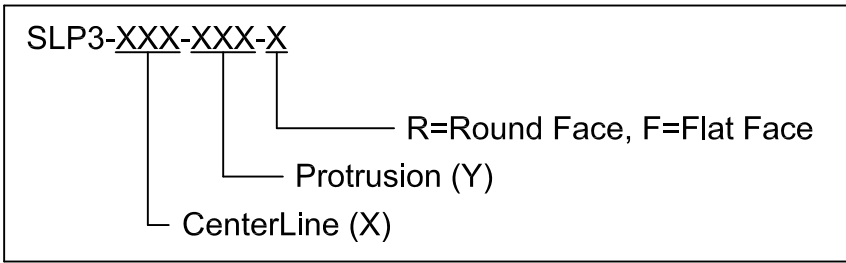
SLP3-XXX-XXX-R
ROUND FACE



SLP3-XXX-XXX-F
FLAT FACE




PART NUMBER DESIGNATION



3. ALL DIMENSIONS IN INCHES UNLESS OTHERWISE SPECIFIED
2. MATERIAL: POLYCARBONATE, 94V-0, CLEAR.
1. GENERAL SPECIFICATIONS: BIVAR MOLDED COMPONENT SPECIFICATION BV00-E101.

CUSTOMER USE DRAWING

STANDARD TOLERANCE (UNLESS OTHERWISE SPECIFIED)		 4 THOMAS, IRVINE, CA. 92618 TEL: (949) 951-8808 FAX: (949) 951-3974			
DECIMALS	ANGULAR				
.X ±.1	X° ±1°	TITLE: LIGHT PIPE 90° VARIABLE CENTERLINE			
.XX ±.01					
.XXX ±.005		DESIGNED: M. CHEN	DATE: 04/14/03	PART NO: SLP3-XXX-XXX-X	REVISION: K
		REVISED: K. BARON	DATE: 07/29/21	CAGE CODE: 32559	
		CHECKED: A. VALDEZ	DATE: 07/29/21	SCALE: 1:1	SHEET # 1 OF 4
CAD GENERATED DOCUMENT, DO NOT MEASURE DRAWING					

REV.	DESCRIPTION	DATE	APPROVED
	See Page #1		

STANDARD OFFERING LIST			
PART NUMBER	X DIMENSION	Y DIMENSION	FACE
SLP3-200-100-F	0.200" [5.1mm]	0.100" [2.5mm]	FLAT FACE
SLP3-200-100-R	0.200" [5.1mm]	0.100" [2.5mm]	ROUND FACE
SLP3-200-150-F	0.200" [5.1mm]	0.150" [3.8mm]	FLAT FACE
SLP3-200-150-R	0.200" [5.1mm]	0.150" [3.8mm]	ROUND FACE
SLP3-200-200-R	0.200" [5.1mm]	0.200" [5.1mm]	ROUND FACE
SLP3-200-250-F	0.200" [5.1mm]	0.250" [6.4mm]	FLAT FACE
SLP3-250-100-F	0.250" [6.4mm]	0.100" [2.5mm]	FLAT FACE
SLP3-250-100-R	0.250" [6.4mm]	0.100" [2.5mm]	ROUND FACE
SLP3-300-100-F	0.300" [7.6mm]	0.100" [2.5mm]	FLAT FACE
SLP3-300-100-R	0.300" [7.6mm]	0.100" [2.5mm]	ROUND FACE
SLP3-300-250-F	0.300" [7.6mm]	0.250" [6.4mm]	FLAT FACE
SLP3-300-250-R	0.300" [7.6mm]	0.250" [6.4mm]	ROUND FACE
SLP3-300-450-F	0.300" [7.6mm]	0.450" [11.4mm]	FLAT FACE
SLP3-300-450-R	0.300" [7.6mm]	0.450" [11.4mm]	ROUND FACE
SLP3-350-100-F	0.350" [8.9mm]	0.100" [2.5mm]	FLAT FACE
SLP3-350-100-R	0.350" [8.9mm]	0.100" [2.5mm]	ROUND FACE
SLP3-350-200-F	0.350" [8.9mm]	0.200" [5.1mm]	FLAT FACE
SLP3-350-350-F	0.350" [8.9mm]	0.350" [8.9mm]	FLAT FACE
SLP3-400-100-F	0.400" [10.2mm]	0.100" [2.5mm]	FLAT FACE
SLP3-400-100-R	0.400" [10.2mm]	0.100" [2.5mm]	ROUND FACE
SLP3-400-250-F	0.400" [10.2mm]	0.250" [6.4mm]	FLAT FACE
SLP3-400-450-R	0.400" [10.2mm]	0.450" [11.4mm]	ROUND FACE

CUSTOMER USE DRAWING

		BIVAR[®]	
CAGE CODE	32559	DRAWING NO: SLP3-XXX-XXX-X	REVISION: K
SHEET SIZE	A	SCALE: N/A	SHEET # 2 OF 4
<small>CAD GENERATED DOCUMENT, DO NOT MEASURE DRAWING</small>			

REV.	DESCRIPTION	DATE	APPROVED
	See Page #1		

STANDARD OFFERING LIST			
PART NUMBER	X DIMENSION	Y DIMENSION	FACE
SLP3-450-100-F	0.450" [11.4mm]	0.100" [2.5mm]	FLAT FACE
SLP3-450-100-R	0.450" [11.4mm]	0.100" [2.5mm]	ROUND FACE
SLP3-500-100-F	0.500" [12.7mm]	0.100" [2.5mm]	FLAT FACE
SLP3-500-100-R	0.500" [12.7mm]	0.100" [2.5mm]	ROUND FACE
SLP3-500-250-F	0.500" [12.7mm]	0.250" [6.4mm]	FLAT FACE
SLP3-500-250-R	0.500" [12.7mm]	0.250" [6.4mm]	ROUND FACE
SLP3-500-400-R	0.500" [12.7mm]	0.400" [10.2mm]	ROUND FACE
SLP3-500-450-R	0.500" [12.7mm]	0.450" [11.4mm]	ROUND FACE
SLP3-550-100-F	0.550" [14.0mm]	0.100" [2.5mm]	FLAT FACE
SLP3-550-100-R	0.550" [14.0mm]	0.100" [2.5mm]	ROUND FACE
SLP3-600-100-F	0.600" [15.2mm]	0.100" [2.5mm]	FLAT FACE
SLP3-600-100-R	0.600" [15.2mm]	0.100" [2.5mm]	ROUND FACE
SLP3-600-450-R	0.600" [15.2mm]	0.450" [11.4mm]	ROUND FACE
SLP3-650-100-F	0.650" [16.5mm]	0.100" [2.5mm]	FLAT FACE
SLP3-650-100-R	0.650" [16.5mm]	0.100" [2.5mm]	ROUND FACE
SLP3-700-100-F	0.700" [17.8mm]	0.100" [2.5mm]	FLAT FACE
SLP3-700-100-R	0.700" [17.8mm]	0.100" [2.5mm]	ROUND FACE
SLP3-700-450-R	0.700" [17.8mm]	0.450" [11.4mm]	ROUND FACE

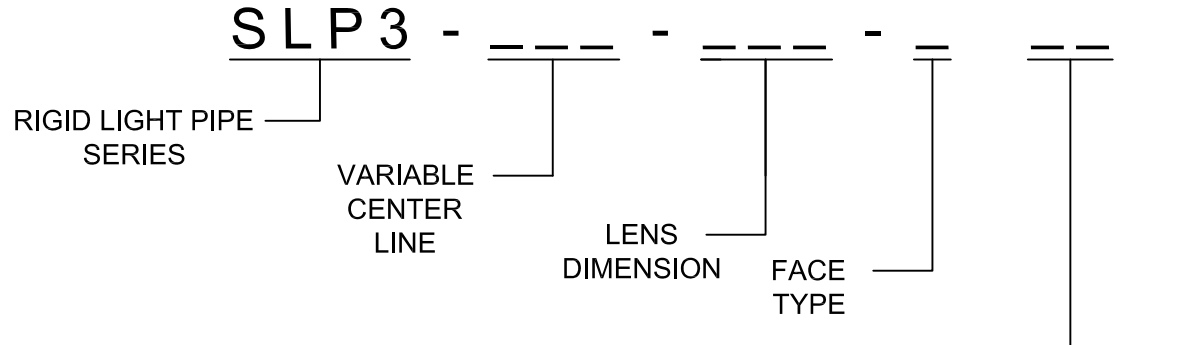
CUSTOMER USE DRAWING

		BIVAR[®]	
CAGE CODE	32559	DRAWING NO: SLP3-XXX-XXX-X	REVISION: K
SHEET SIZE	A	SCALE: N/A	SHEET # 3 OF 4
<small>CAD GENERATED DOCUMENT, DO NOT MEASURE DRAWING</small>			

REV.	DESCRIPTION	DATE	APPROVED
	See Page #1		

OTHER AVAILABLE COLORS

* SEE TABLE FOR ORDERING INFORMATION



COLOR	Order Code
BLUE	BE
BLACK	BK
GREEN	GN
GRAY	GY
RED	RD
YELLOW	YW

NOTE: LEAVE ORDER CODE BLANK IF NO COLOR IS DESIRED.

CUSTOMER USE DRAWING

4. PARTS ARE DYED TO COLOR UPON REQUEST.

		BIVAR[®]	
CAGE CODE	32559	DRAWING NO: SLP3-XXX-XXX-X	REVISION: K
SHEET SIZE	A	SCALE: N/A	SHEET # 4 OF 4
<small>CAD GENERATED DOCUMENT, DO NOT MEASURE DRAWING</small>			