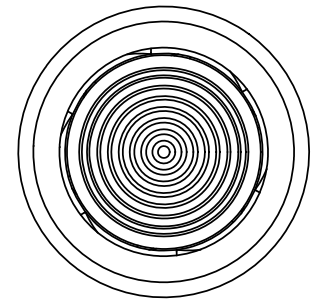
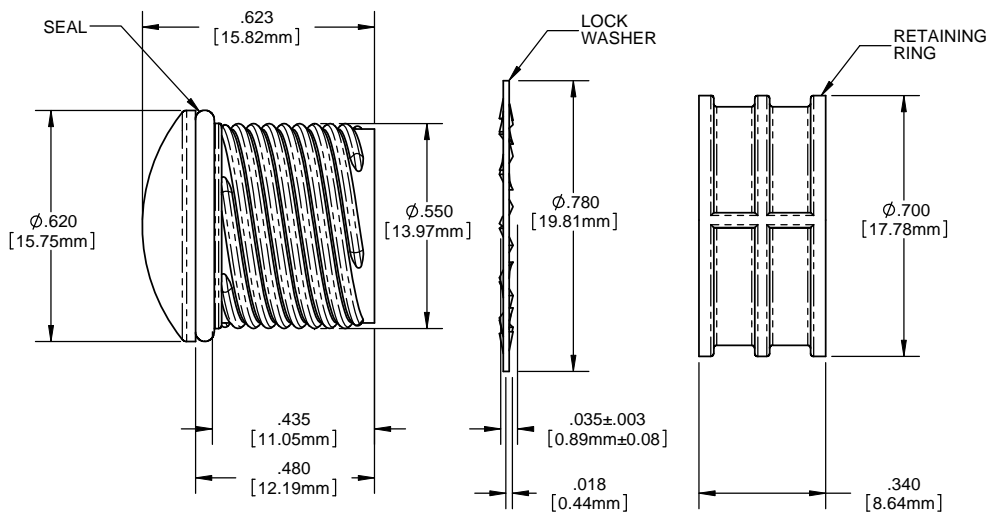
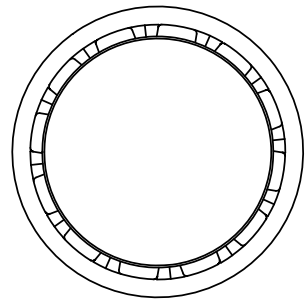
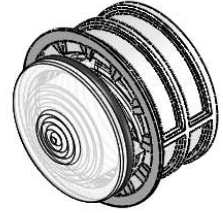


NOTES:

1. MOUNTING: Mounts in a $\phi .562 \pm .002$ [$\phi 16.56\text{mm} \pm .05$] panel hole on $.750$ [19.05mm] centers. Panel thickness $.031$ [$.8\text{mm}$] to $.187$ [4.75mm]. Panel hole should be deburred, but not chamfered.
2. ASSEMBLY: Insert lens through panel hole, slide lock washer onto lens barrel and twist on retaining ring. PCB mounted LEDs slide into lens when the panel cover is closed or the PCB card is inserted into the case.
3. MATERIAL: Lens-Polycarbonate, UL 94-V2
Lock Washer- FH Steel, Nickel plate
Retaining ring - Thermoplastic, U.L. 94 V0 Rated
Seal- EPDM
4. U.S. & Foreign Pat. Issued & Pend.

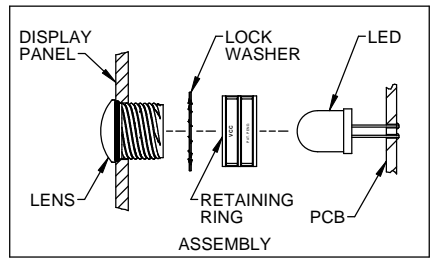
REVISIONS				
ECN#	REV.	DESCRIPTION	DATE	INITIALS
	001	REVISED PER ECR111009AZ01	4-23-10	SMU



ORDERING CODE : **HMS 462 XXX**

MODEL

LENS COLOR	
RTP	RED TRANSPARENT
ATP	AMBER TRANSPARENT
GTP	GREEN TRANSPARENT
BTP	BLUE TRANSPARENT
YTP	YELLOW TRANSPARENT
CTP	CLEAR TRANSPARENT



DIMENSION STYLE: INCHES / MM GENERAL TOLERANCES UNLESS OTHERWISE SPECIFIED	
INCHES	MM
XX $\pm .020$	508 $\pm .508$
XX $\pm .010$	254 $\pm .254$
XXX $\pm .005$	127 $\pm .127$
ANGLE & 1	
THIRD ANGLE PROJECTION	
THE INFORMATION CONTAINED IN THIS DRAWING IS THE SOLE PROPERTY OF VCCG. COMMERCIAL REPRODUCTION OR REPRODUCTION IN PART OR AS A WHOLE WITHOUT THE WRITTEN PERMISSION OF VCCG IS PROHIBITED.	

MATERIAL	SEE NOTES
FINISH	SEE NOTES
APPROVAL	DATE
DRAWN: SMU	4-23-10
CHECKED: DZ	4-23-10
DO NOT SCALE DRAWING	

VCCG OPTOELECTRONICS
 190 BOSSTICK BLVD, SUITE 101 SAN MARCOS, CA 92669 U.S.A
 PHONE: (760) 560-1300, FAX: (760) 560-1301 EMAIL: vccsales@vccsite.com

TITLE: 10MM ROUND STANDARD THREADED FRESNEL LENS WITH SEAL

SIZE	DWG. NO.	REV
B	HMS 462 XXX	001
SCALE: 4:1	SHEET 1 OF 1	