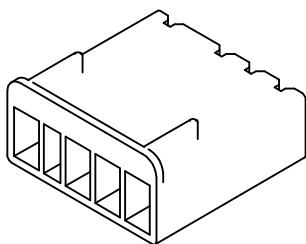
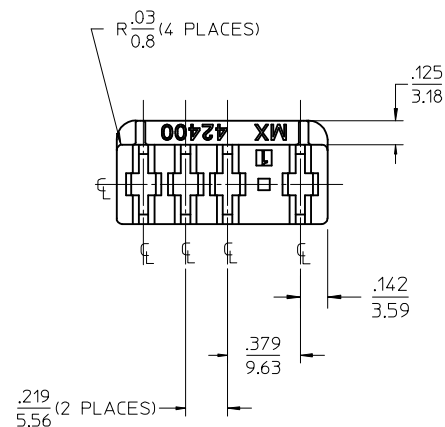
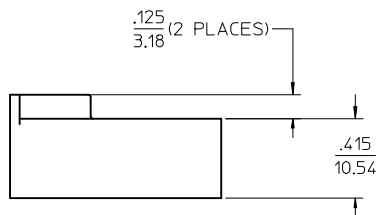
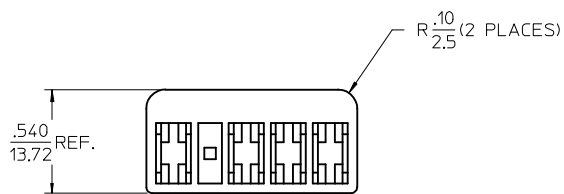


NOTES:

1. MATERIAL: SEE SHEET 3
2. FINISH: NONE
3. PRODUCT SPECIFICATION: NONE
4. PACKAGING PER PK-42400-001
5. HOUSING ACCEPTS 41422 SERIES .250 FEMALE CRIMP TERMINALS AND MATES WITH .250/6.35 WIDE, .31/7.9 LONG, .032/0.81 THICK SPADE TERMINALS.
6. SEE SHEET 3 FOR 4-CKT. OPTIONS AND PART NUMBERS.

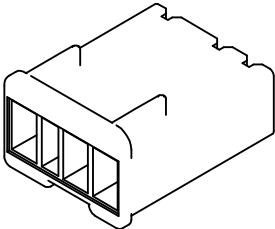
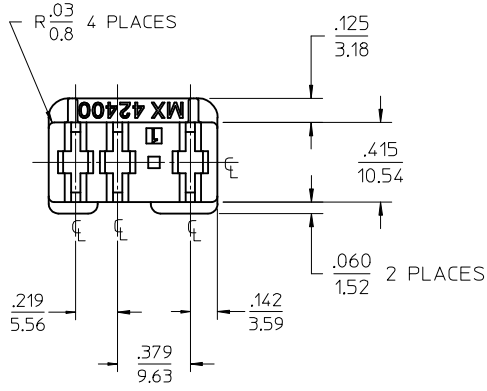
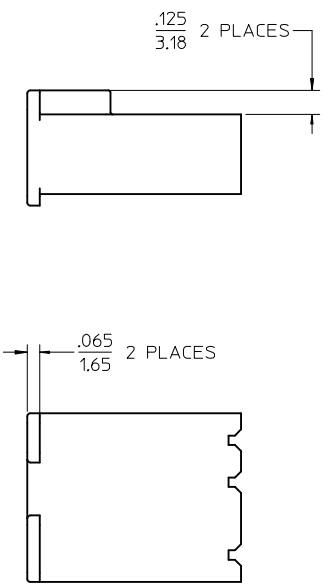
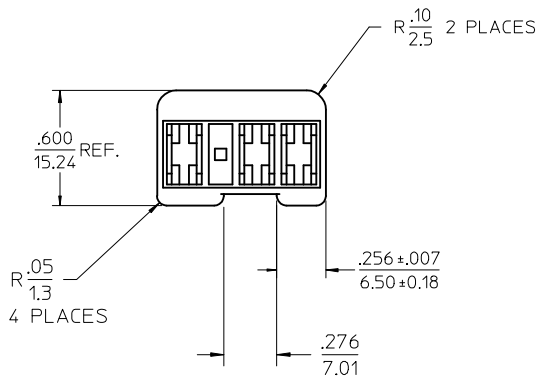
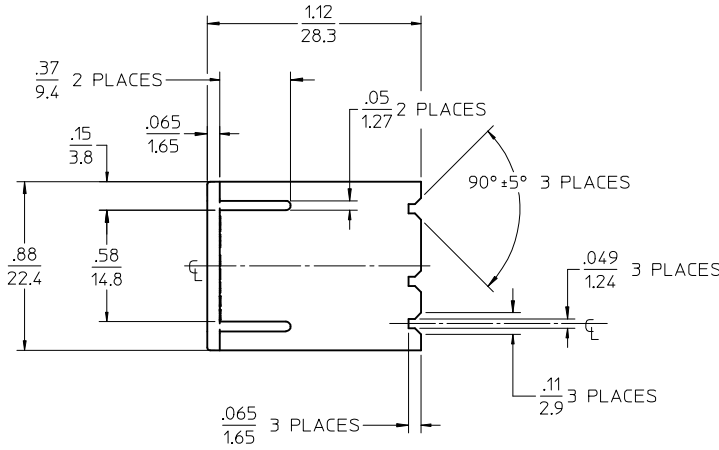


4-CKT HOUSING

MODIFY 3-CKT VER. EC NO: UCP2009-3090 DRWN: BWIRKUS 2009/06/22 CHKD: 2009/06/22 APPR: BWIRKUS 2009/07/28	QUALITY SYMBOLS ▽=0 ▽=0	GENERAL TOLERANCES (UNLESS SPECIFIED) <table border="1"> <tr> <th></th> <th>mm</th> <th>INCH</th> </tr> <tr> <td>4 PLACES ±</td> <td>---</td> <td>---</td> </tr> <tr> <td>3 PLACES ±</td> <td>---</td> <td>±.005</td> </tr> <tr> <td>2 PLACES ±</td> <td>0.13</td> <td>±.010</td> </tr> <tr> <td>1 PLACE ±</td> <td>0.25</td> <td>---</td> </tr> </table>		mm	INCH	4 PLACES ±	---	---	3 PLACES ±	---	±.005	2 PLACES ±	0.13	±.010	1 PLACE ±	0.25	---	DIMENSION STYLE IN/MM	SCALE 2:1	DESIGN UNITS INCH	THIRD ANGLE PROJECTION
		mm	INCH																		
4 PLACES ±	---	---																			
3 PLACES ±	---	±.005																			
2 PLACES ±	0.13	±.010																			
1 PLACE ±	0.25	---																			
REV: B1	DESCRIPTION	MATERIAL NO. SEE SHEET 3	DRAWN BY B. WIRKUS	DATE 9-4-2008	TITLE POWER RECEPTACLE HOUSING 3 & 4 CKT; DUAL FLANGE FOR .250 FEM. FLAT BLADE	MOLEX INCORPORATED															
DRAFT WHERE APPLICABLE MUST REMAIN WITHIN DIMENSIONS		SIZE C	APPROVED BY A. PATEL		DATE 9-5-2008	DOCUMENT NO. SD-42400-001															
THIS DRAWING CONTAINS INFORMATION THAT IS PROPRIETARY TO MOLEX INCORPORATED AND SHOULD NOT BE USED WITHOUT WRITTEN PERMISSION						SHEET NO. 1 OF 3															

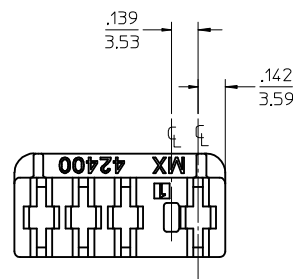
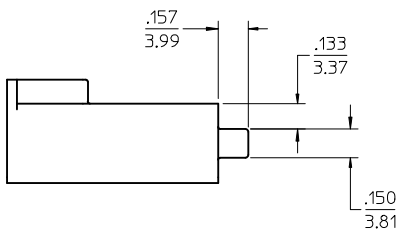
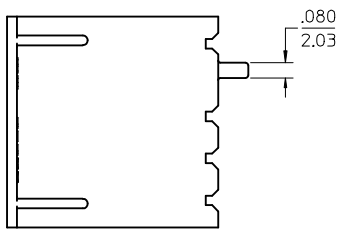
NOTES:

1. MATERIAL: PA6 (NYLON), UL94V-0, BLACK
2. FINISH: NONE
3. PRODUCT SPECIFICATION: NONE
4. PACKAGING PER PK-42400-01
5. HOUSING ACCEPTS 41422 SERIES .250 FEMALE CRIMP TERMINALS AND MATES WITH .250/6.35 WIDE, .31/.79 LONG, .032/0.81 THICK SPADE TERMINALS.
6. SEE SHEET 3 FOR PART NUMBER AND DESCRIPTION.

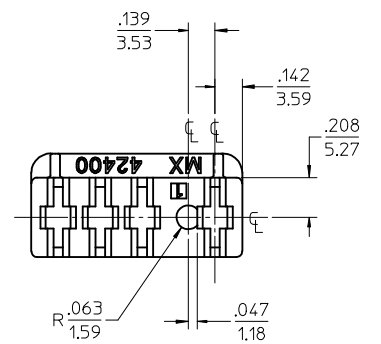
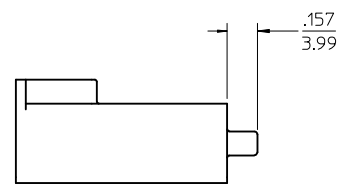
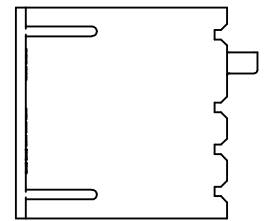


3-CKT. HOUSING

ADD 2ND FLANGE EC NO: UCP2009-3090 DRWN: BWIRKUS 2009/06/22 CHKD: 2009/06/22 APPR: BWIRKUS 2009/07/28 REV: B1	QUALITY SYMBOLS ▽=0 ▽=0	GENERAL TOLERANCES (UNLESS SPECIFIED)		DIMENSION STYLE IN/MM	SCALE 2:1	DESIGN UNITS INCH	THIRD ANGLE PROJECTION	
				DRAWN BY B. WIRKUS	DATE 9-4-2008	TITLE <b>POWER RECEPTACLE HOUSING 3 &amp; 4 CKT; DUAL FLANGE FOR .250 FEM. FLAT BLADE</b>		
				CHECKED BY B. WIRKUS	DATE 9-4-2008			
				APPROVED BY A. PATEL		DATE 9-5-2008	MOLEX INCORPORATED DOCUMENT NO. SD-42400-001 SHEET NO. 2 OF 3	
		MATERIAL NO. <b>424003001</b>						
		DRAFT WHERE APPLICABLE MUST REMAIN WITHIN DIMENSIONS		THIS DRAWING CONTAINS INFORMATION THAT IS PROPRIETARY TO MOLEX INCORPORATED AND SHOULD NOT BE USED WITHOUT WRITTEN PERMISSION				



42400-100\* SQUARE PEG OPTION



42400-200\* ROUND PEG OPTION

ENG. NUMBER	MATERIAL NO.	NO. OF CKTS.	MATERIAL	COLOR	POLARIZING PEG
42400-0001	006-02-3042	4	PA (NYLON), UL94V-2	NATURAL	NO PEG
42400-0003	424000003	4	PA (NYLON), UL94V-0	WHITE	NO PEG
42400-0004	424000004	4	PA (NYLON), UL94V-0	BLACK	NO PEG
42400-1003	424001003	4	PA (NYLON), UL94V-0	WHITE	SQUARE PEG
42400-1004	424001004	4	PA (NYLON), UL94V-0	BLACK	SQUARE PEG
42400-2001	424002001	4	PA (NYLON), UL94V-2	NATURAL	ROUND PEG
42400-2003	424002003	4	PA (NYLON), UL94V-0	WHITE	ROUND PEG
42400-2004	424002004	4	PA (NYLON), UL94V-0	BLACK	ROUND PEG
42400-3001	424003001	3	PA (NYLON), UL94V-0	BLACK	NO PEG

MODIFY 3-CKT VER EC NO: UCP2009-3090 DRWN: BWIRKUS 2009/06/22 CHKD: 2009/06/22 APPR: BWIRKUS 2009/07/28	QUALITY SYMBOLS	GENERAL TOLERANCES (UNLESS SPECIFIED)	DIMENSION STYLE	SCALE	DESIGN UNITS	THIRD ANGLE PROJECTION
	▽=0 ▽=0	mm INCH 4 PLACES ± --- ± --- 3 PLACES ± --- ± .005 2 PLACES ± 0.13 ± .010 1 PLACE ± 0.25 ± --- ANGULAR ± 1/2°	IN/MM	2:1	INCH	
	DESCRIPTION	DRAFT WHERE APPLICABLE MUST REMAIN WITHIN DIMENSIONS	DRAWN BY DATE	TITLE	MOLEX INCORPORATED	
	REV B1		B. WIRKUS 9-4-2008	POWER RECEPTACLE HOUSING 3 & 4 CKT; DUAL FLANGE FOR .250 FEM. FLAT BLADE	DOCUMENT NO.	SHEET NO.
			SEE CHART	SD-42400-001	3 OF 3	
			THIS DRAWING CONTAINS INFORMATION THAT IS PROPRIETARY TO MOLEX INCORPORATED AND SHOULD NOT BE USED WITHOUT WRITTEN PERMISSION			