

DIN Rail Mount Switching Mode Power Supply

■ Features

- DIN rail type mount and screw mount methods
- Efficient power conversion
 - : high conversion efficiency up to 92% with LLC circuit (SPB-240)
 - : stable power supply with minimal noise and ripple
- Space efficient design
 - : slim and compact size for maximum space efficiency
 - : uniform depth size (except SPB-015/030) for neat and tidy installation
- Safety and user-friendly features
 - : terminal protection cover (SPB-060/120/180/240)
 - : easy wiring with rising clamp terminal (SPB-015/030)
 - : inrush current prevention, output over-current prevention, output overvoltage prevention, output short-circuit protection, circuit overheating protection
 - : low output voltage indicator (red LED), output indicator (green LED)
- Output power: 15W, 30W, 60W, 120W, 180W, 240W



⚠ Please read "Safety Considerations" in the instruction manual before using.



■ Ordering Information

SPB — 120 — 24

Output voltage	05	5VDC	24	24VDC
	12	12VDC	48	48VDC
Output power	015	15W	120	120W
	030	30W	180	180W
	060	60W	240	240W
Item	SPB Switching Mode Power Supply			

■ Specifications

Model	SPB-015-05	SPB-015-12	SPB-015-24	SPB-030-05	SPB-030-12	SPB-030-24	SPB-060-12	SPB-060-24	SPB-060-48	SPB-120-12	SPB-120-24	SPB-120-48	SPB-180-24	SPB-180-48	SPB-240-12	SPB-240-24	SPB-240-48	
Output power	15W	15.6W	25W	30W	31.2W	60W	60W	62.4W	96W	120W	120W	180W	182.4W	240W	240W	240W	240W	
Input condition	Voltage ^{*1} 100-240VAC~ (permissible voltage: 85-264VAC~/120-370VDC=)																	
	Frequency 50/60Hz																	
	Efficiency ^{*2} (typical)	100VAC~ 77%	80%	83%	77%	82%	84%	81%	84%	85%	82%	85%	85%	89%	89%	87%	89%	89%
	240VAC~	76%	79%	82%	78%	83%	85%	83%	86%	87%	85%	88%	88%	92%	92%	90%	92%	92%
Input condition	Power factor ^{*2}	—			—			—			Min. 0.9			Min. 0.9			Min. 0.9	
	Max. current consumption ^{*2}	0.4A			0.8A			1.6A			1.9A			3.0A			3.8A	
	Current consumption ^{*2} (typical)	100VAC~ 0.35A	0.35A	0.34A	0.56A	0.63A	0.63A	1.24A	1.21A	1.19A	1.19A	1.49A	1.43A	2.03A	2.04A	2.76A	2.71A	2.73A
240VAC~	0.19A	0.19A	0.19A	0.30A	0.35A	0.35A	0.66A	0.65A	0.64A	0.52A	0.61A	0.61A	0.83A	0.84A	1.14A	1.12A	1.13A	
Power factor correction circuit	—			—			—			Built-in			Built-in			Built-in		
Output characteristics	Voltage	5VDC= 12VDC= 24VDC=			5VDC= 12VDC= 24VDC=			12VDC= 24VDC= 48VDC=			12VDC= 24VDC= 48VDC=			24VDC= 48VDC=			12VDC= 24VDC= 48VDC=	
	Current	3A 1.3A 0.65A			5A 2.5A 1.3A			5A 2.5A 1.3A			8A 5A 2.5A			7.5A 3.8A			20A 10A 5A	
	Voltage adjustment range ^{*3}	Max. ±10%			Max. ±10%			Max. ±5%			Max. ±5%			Max. ±5%			Max. ±5%	
	Input variation ^{*4}	Max. ±0.5%			Max. ±0.5%			Max. ±0.5%			Max. ±0.5%			Max. ±0.5%			Max. ±0.5%	
Load variation	Max. ±1%			Max. ±1%			Max. ±1%			Max. ±1%			Max. ±1%			Max. ±1%		
Output characteristics	Ripple & Ripple noise ^{*2,*5}	Max. ±1.5%	Max. ±1%		Max. ±1.5%	Max. ±1%		Max. ±1%			Max. ±1%			Max. ±1%			Max. ±1.5%	Max. ±1%
	Start-up time ^{*2}	100VAC~ 500ms	550ms	650ms	600ms	550ms	550ms	520ms	550ms	1200ms	1200ms	1200ms	1200ms	87ms	75ms	75ms	87ms	75ms
	Hold time ^{*2} (typical)	240VAC~ 24ms	25ms	25ms	20ms	15ms	15ms	15ms	14ms	15ms	98ms	75ms	87ms	36ms	25ms	33ms	36ms	25ms
240VAC~	190ms	190ms	190ms	130ms	110ms	110ms	100ms	110ms	108ms	97ms	43ms	86ms	36ms	25ms	33ms	36ms	25ms	

※1: Since there is no separate input overvoltage protection for the voltage over the rated input voltage range, supplying overvoltage may result in product damage.
 ※2: It is for 100% load.
 ※3: Use the output voltage adjusting volume within the voltage variable range.
 If the voltage exceeds the output voltage range, overvoltage protection function is activated and the output is cut off.
 ※4: It is for the rated input voltage 100-240VAC (85-264VAC) and 100% load.
 ※5: It is for the rated input voltage 100-240VAC.

- SENSORS
- CONTROLLERS
- MOTION DEVICES
- SOFTWARE
- (J) Temperature Controllers
- (K) SSRs
- (L) Power Controllers
- (M) Counters
- (N) Timers
- (O) Digital Panel Meters
- (P) Indicators
- (Q) Converters
- (R) Digital Display Units
- (S) Sensor Controllers
- (T) Switching Mode Power Supplies
- (U) Recorders
- (V) HMIs
- (W) Panel PC
- (X) Field Network Devices

SPB Series

Specifications

Model		SPB -015 -05	SPB -015 -12	SPB -015 -24	SPB -030 -05	SPB -030 -12	SPB -030 -24	SPB -060 -12	SPB -060 -24	SPB -060 -48	SPB -120 -12	SPB -120 -24	SPB -120 -48	SPB -180 -24	SPB -180 -48	SPB -240 -12	SPB -240 -24	SPB -240 -48
Protection	Inrush current protection (typical)	100VAC~ 7A	7A	7A	7A	7A	6A	13A	14A	10A	9A	11A	10A	8A	8A	8A	8A	8A
		240VAC~ 32A	30A	31A	29A	31A	29A	19A	17A	37A	37A	36A	37A	25A	26A	22A	25A	26A
	Over-current protection※5	105 to 160%			105 to 160%			105 to 160%			105 to 160%			105 to 160%		105 to 160%		
	Over-voltage protection※3	—			—			—			16.0V ±10%	30.0V ±10%	58.0V ±10%	30.0V ±10%	58.0V ±10%	16.0V ±10%	30.0V ±10%	58.0V ±10%
Output low-voltage indicate	4.2V ±10%	9.6V ±10%	20.0V ±10%	4.2V ±10%	9.6V ±10%	20.0V ±10%	9.6V ±10%	20.0V ±10%	43.0V ±10%	9.6V ±10%	20.0V ±10%	43.0V ±10%	20.0V ±10%	43.0V ±10%	10.0V ±10%	20.0V ±10%	43.0V ±10%	
Indicator	Output indicator: green LED, output low-voltage indicator: red LED																	
Insulation resistance	Over 100MΩ (at 500VDC megger between all input terminals and output terminals)																	
Dielectric strength	3,000VAC 50/60Hz for 1 min (between all input terminals and output terminals) 1,500VAC 50/60Hz for 1 min (between all input terminals and F.G.)																	
Vibration	0.75mm amplitude at frequency 10 to 55Hz (for 1 min) in each X, Y, Z direction for 2 hour																	
Shock	300m/s ² (approx. 30G) in each X, Y, Z direction for 3 times																	
EMS	Conforms to EN61000-6-2																	
EMI	Conforms to EN61000-6-4																	
Safety standards	EN60950, EN50178																	
Environment	Ambient temp.※6	-10 to 50°C, storage: -25 to 65°C (surrounding air temp.: max. 40°C)																
	Ambient humi.	25 to 85%RH, storage: 25 to 90%RH																
Input cable	AWG24 to 19 (material: Cu)			AWG24 to 19 (material: Cu)			AWG21 to 19 (material: Cu)			AWG21 to 19 (material: Cu)			AWG21 to 19 (material: Cu)			AWG18 to 16 (material: Cu)		
Terminal tightening torque	0.3 to 0.5N·m			0.3 to 0.5N·m			0.7 to 0.9N·m			0.7 to 0.9N·m			0.7 to 0.9N·m			0.7 to 0.9N·m		
Protection	IP20 (IEC standard)																	
Approval	CE, TÜV, etc.																	
Weight※7	Approx. 202g (approx. 129g)			Approx. 249g (approx. 176g)			Approx. 347g (approx. 274g)			Approx. 570g (approx. 466g)			Approx. 609g (approx. 505g)			Approx. 866g (approx. 736g)		

※3: Use the output voltage adjusting volume within the voltage variable range.

If the voltage exceeds the output voltage range, overvoltage protection function is activated and the output is cut off.

※5: It is for the rated input voltage 100-240VAC.

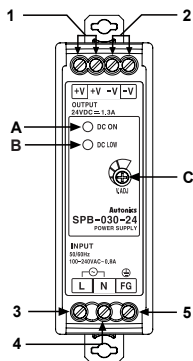
※6: Refer to **Output Derating Curve by Ambient Temperature**.

※7: The weight includes packaging. The weight in parenthesis is for unit only.

※Environment resistance is rated at no freezing or condensation.

Wiring Diagram/Unit Description

SPB-015/030 Series



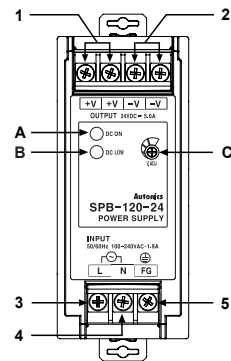
Wiring Diagram

1. Output power [+V] terminal
2. Output power [-V] terminal
3. Input power [L] terminal
4. Input power [N] terminal
5. Frame ground [F.G.] terminal

Unit Description

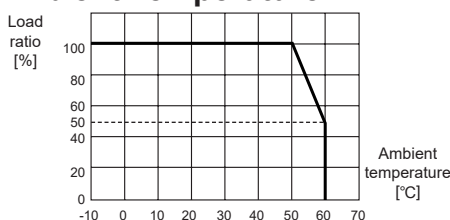
- A. Output (DC ON) indicator (green)
- B. Output low voltage (DC LOW) indicator (red)
- C. Output voltage adjuster (V.ADJ)

SPB-060/120/180/240 Series



※SPB-015/060 Series has an output power [+V] terminal (1) and an output power [-V] terminal (2).

Output Derating Curve by Ambient Temperature



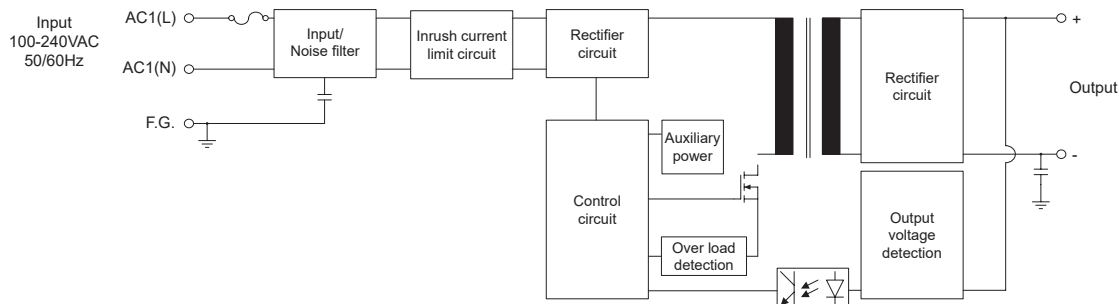
Over-Heating Protection

The overheat protection function cuts off the output voltage, when the temperature in an element increases due to overheating. This product has the overheat protection function within itself. When the overheat protection function is activated and the product does not work properly, please resupply power.

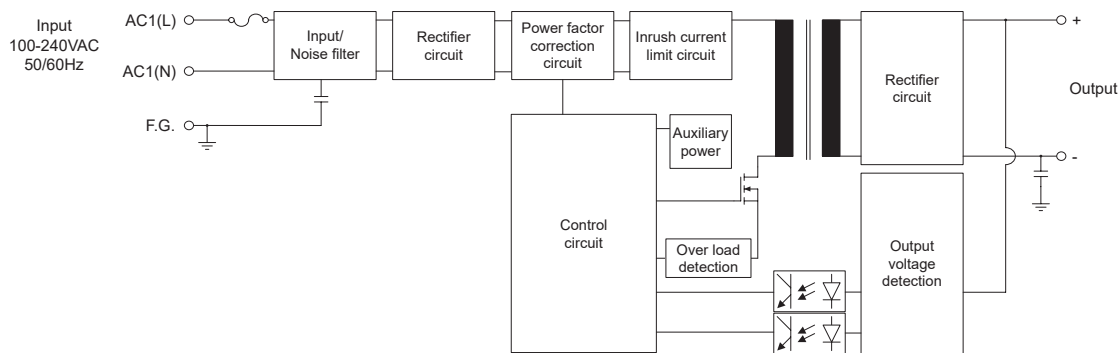
DIN Rail Mount Type Switching Mode Power Supply

■ Block Diagram

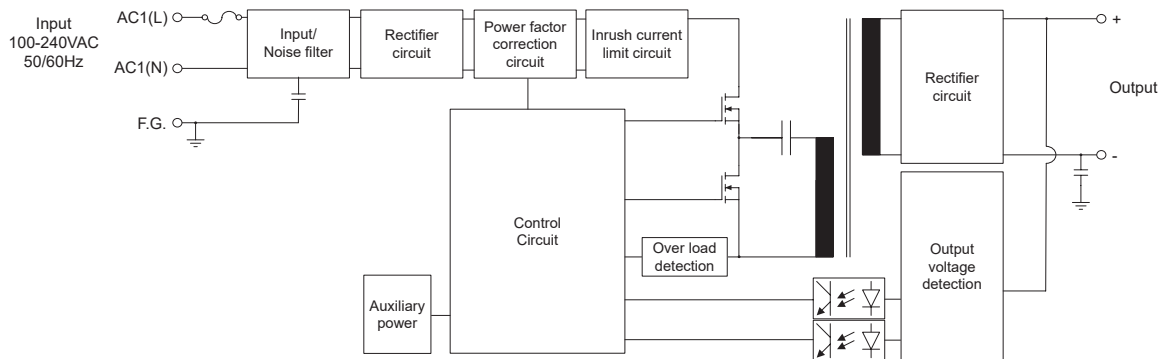
© SPB-015/030/060 Series



© SPB-120 Series



© SPB-180/240 Series



SENSORS
CONTROLLERS
MOTION DEVICES
SOFTWARE

(J) Temperature Controllers
(K) SSRs
(L) Power Controllers
(M) Counters
(N) Timers

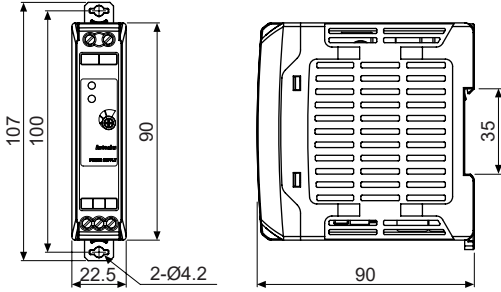
(O) Digital Panel Meters
(P) Indicators
(Q) Converters
(R) Digital Display Units
(S) Sensor Controllers

(T) Switching Mode Power Supplies
(U) Recorders
(V) HMIs
(W) Panel PC
(X) Field Network Devices

SPB Series

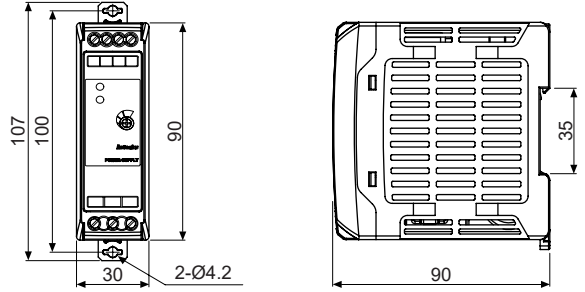
▣ Dimensions

◎ SPB-015 Series

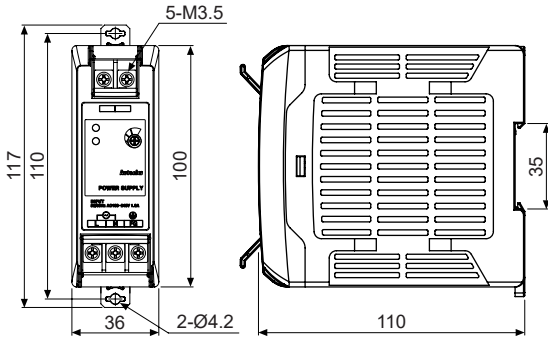


◎ SPB-030 Series

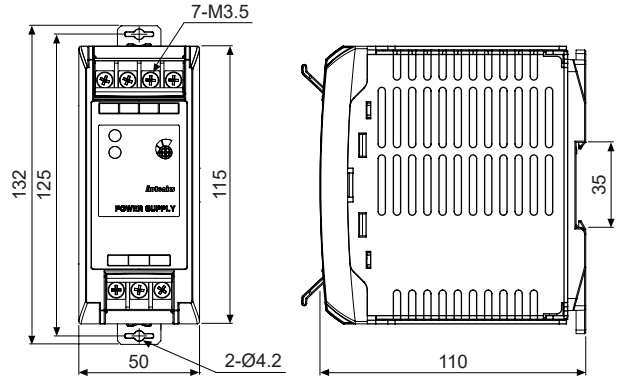
(unit: mm)



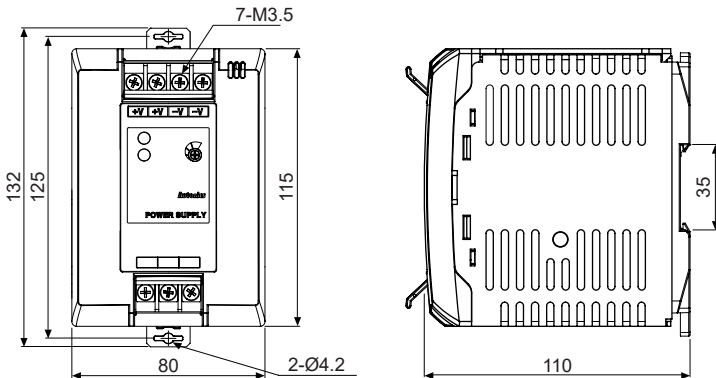
◎ SPB-060 Series



◎ SPB-120/180 Series



◎ SPB-240 Series



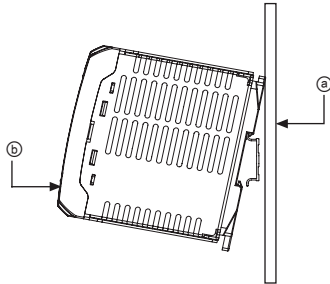
DIN Rail Mount Type Switching Mode Power Supply

■ Installation

○ DIN rail mounting

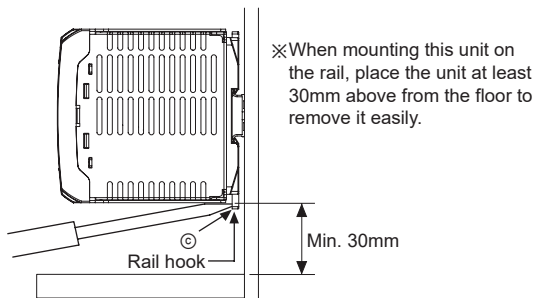
● Mounting to DIN rail

Put the unit on the part ① of the rail before press it to the direction ②.



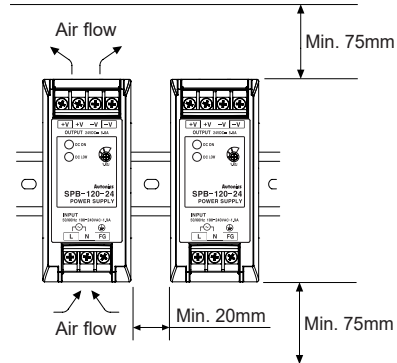
● Removing from DIN rail

Put a screw driver into the part ③ before push it downward.



○ Spacing

When installing multiple SMPSSs, please keep space at least 20mm between SMPSSs for heat radiation. In case of the top and bottom of the product, please keep space at least 75mm.



■ Proper Usage

⚠ Cautions during use

1. Follow instructions in 'Proper Usage'. Otherwise, it may cause unexpected accidents.
2. Do not connect the output voltage neither in serial nor in parallel.
3. Since SPB-015/030/060 models have no harmonic suppression or power factor correction circuit, install the circuit separately if necessary.
4. Since SPB-015/030/060 models use the condenser input method, power factor is in the range of 0.4 to 0.6. When using distribution board or transformer, check the capacity of the input voltage.

$$\text{Input apparent power[VA]} = \frac{\text{Output active power[W]}}{\text{Powerfactor} \times \text{Efficiency}}$$

5. Even though a noise filter is installed inside the product, the product can be affected by noise depending on the installation location or wiring
6. If the internal fuse is damaged, please contact our A/S center.
7. To ensure the reliability of the product, install the product on the panel or metal surface vertically to the ground.
8. Install the unit in the well ventilated place.
9. Do not use near the equipment which generates strong magnetic force or high frequency noise.
10. This unit may be used in the following environments.
 - ① Indoors (in the environment condition rated in 'Specifications')
 - ② Altitude max. 2,000m
 - ③ Pollution degree 2
 - ④ Installation category II

SENSORS
CONTROLLERS
MOTION DEVICES
SOFTWARE
(J) Temperature Controllers
(K) SSRs
(L) Power Controllers
(M) Counters
(N) Timers
(O) Digital Panel Meters
(P) Indicators
(Q) Converters
(R) Digital Display Units
(S) Sensor Controllers
(T) Switching Mode Power Supplies
(U) Recorders
(V) HMIs
(W) Panel PC
(X) Field Network Devices