

SAW Filter 866.50MHz

Model No: TA0801A

Part No: MP02248

Rev No: 4

A. MAXIMUM RATING:

Electrostatic Sensitive Device (ESD)

1. Input Power Level: 18dBm
2. DC voltage: 3V
3. Operating Temperature: -40°C to +85°C
4. Storage Temperature: -40°C to +85°C
5. Moisture Sensitive Level: Level 1(MSL1)

B. ELECTRICAL CHARACTERISTICS:

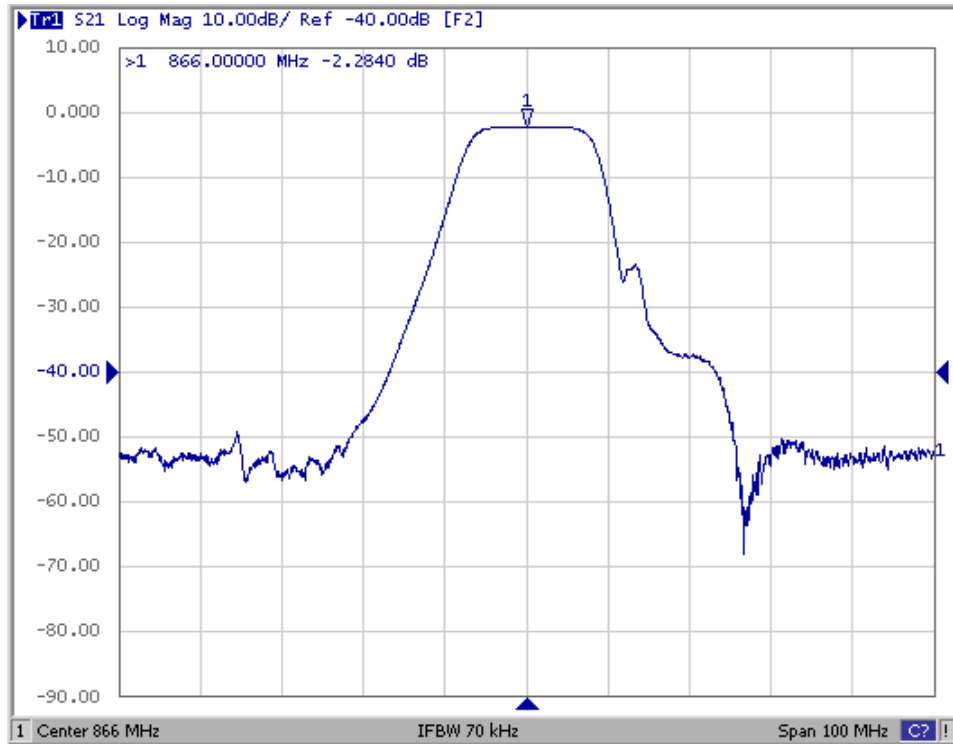
Item	Unit	Min.	Typ.	Max.
Center frequency Fc	MHz	-	866.5	-
Insertion loss at Fc Amax	dB	-	2.3	3.0
Ripple (863 ~ 870MHz)	dB	-	0.3	1.3
VSWR (863 ~ 870MHz)		-	1.2	2.0
Attenuation (Reference level from Amax)				
10 ~ 830MHz	dB	45	49	-
830 ~ 850MHz	dB	22	35	-
885 ~ 905MHz	dB	27	35	-
905 ~ 950MHz	dB	45	49	-
950 ~ 1500MHz	dB	40	47	
1500 ~ 3000MHz	dB	25	28	
Temperature coefficient of frequency TCf	-36ppm / °C			

SAW Filter 866.50MHz
Part No: MP02248

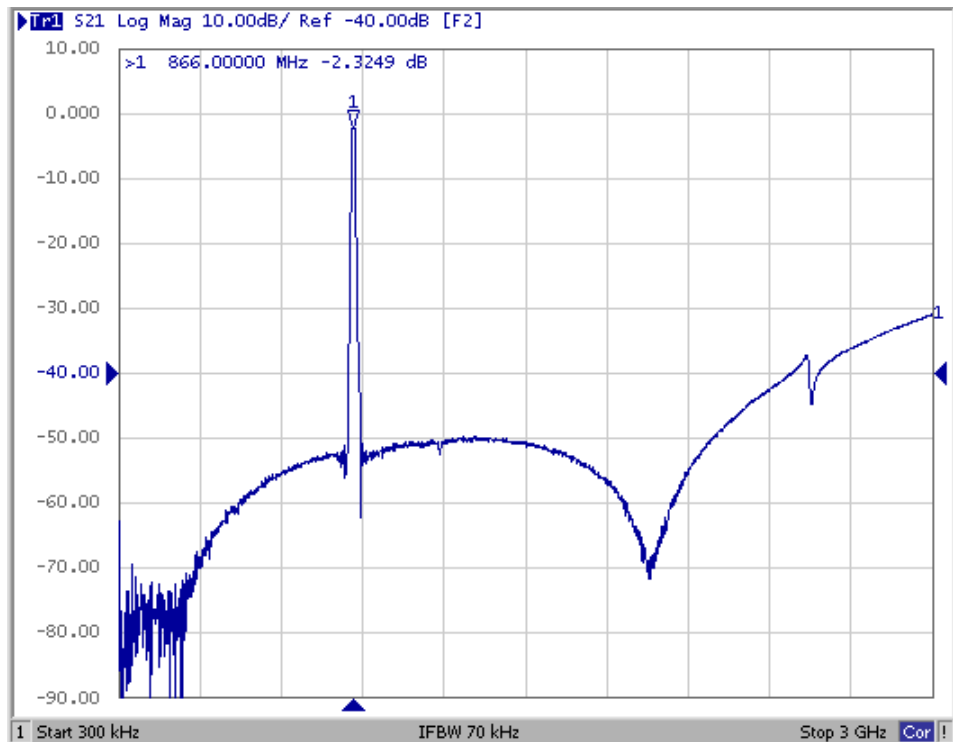
Model No: TA0801A
Rev No: 4

C. FREQUENCY CHARACTERISTICS:

1. Wide band Response: (span 100MHz)



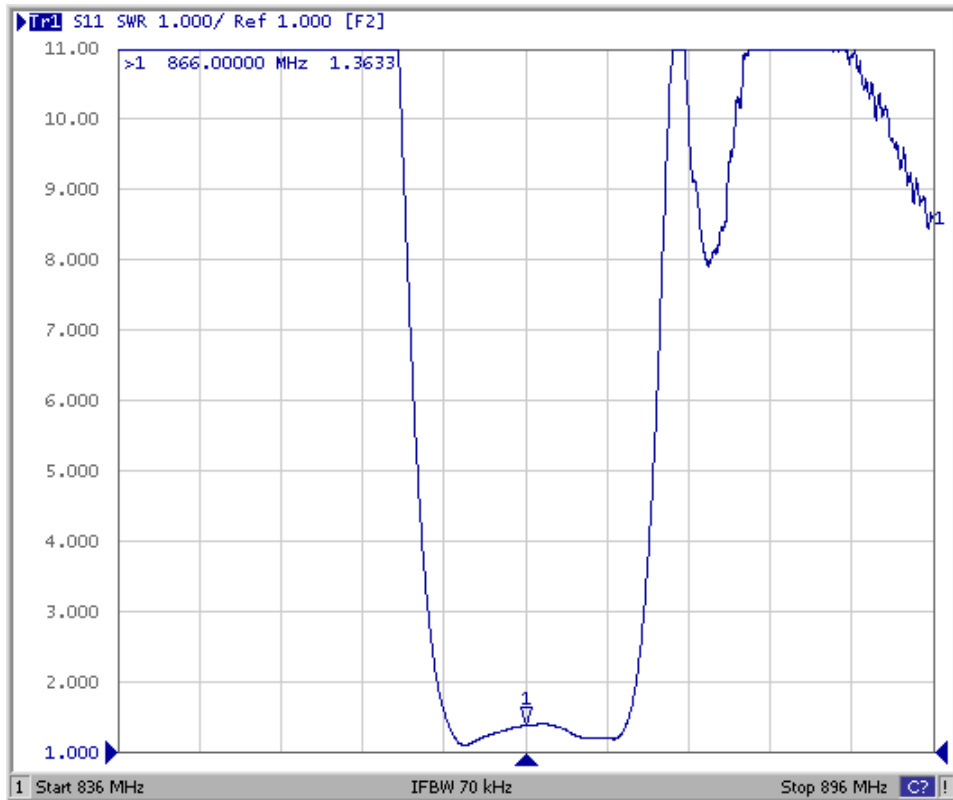
2. Wide band response: (300k ~ 3GHz)



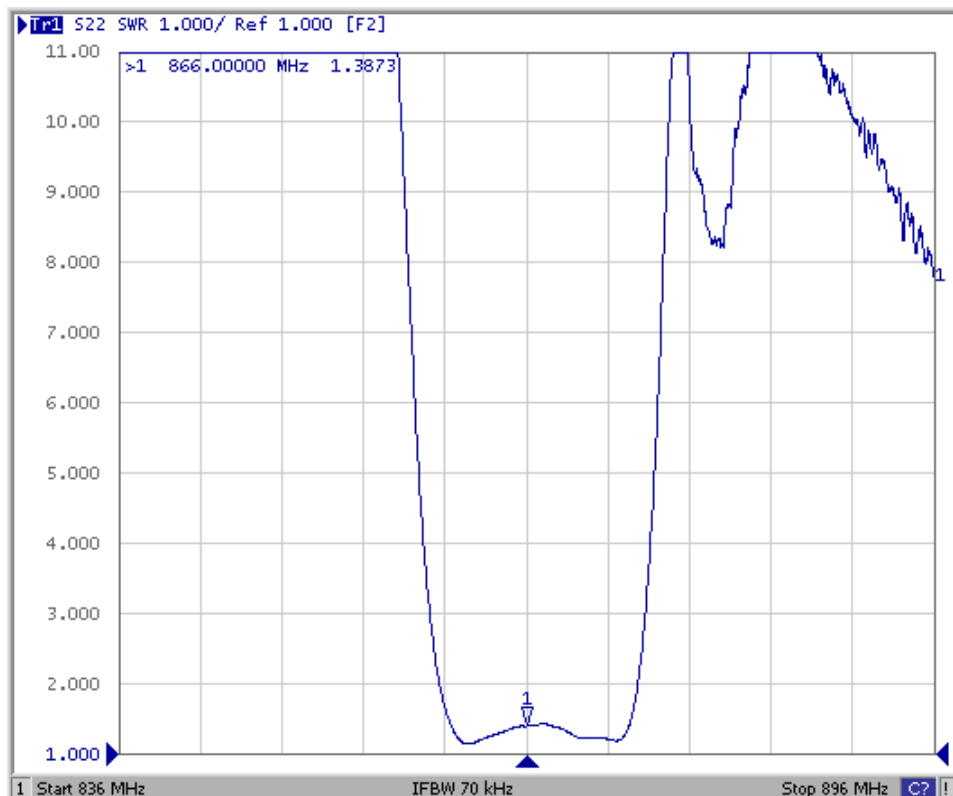
SAW Filter 866.50MHz
Part No: MP02248

Model No: TA0801A
Rev No: 4

3. S11 VSWR Variation: (span 60MHz)



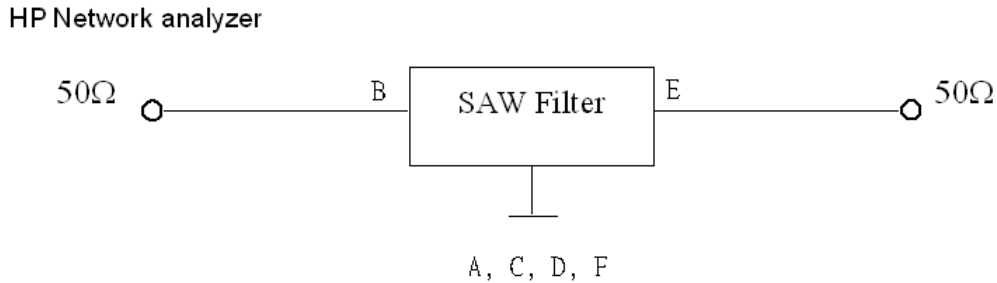
4. S22 VSWR Variation: (span 60MHz)



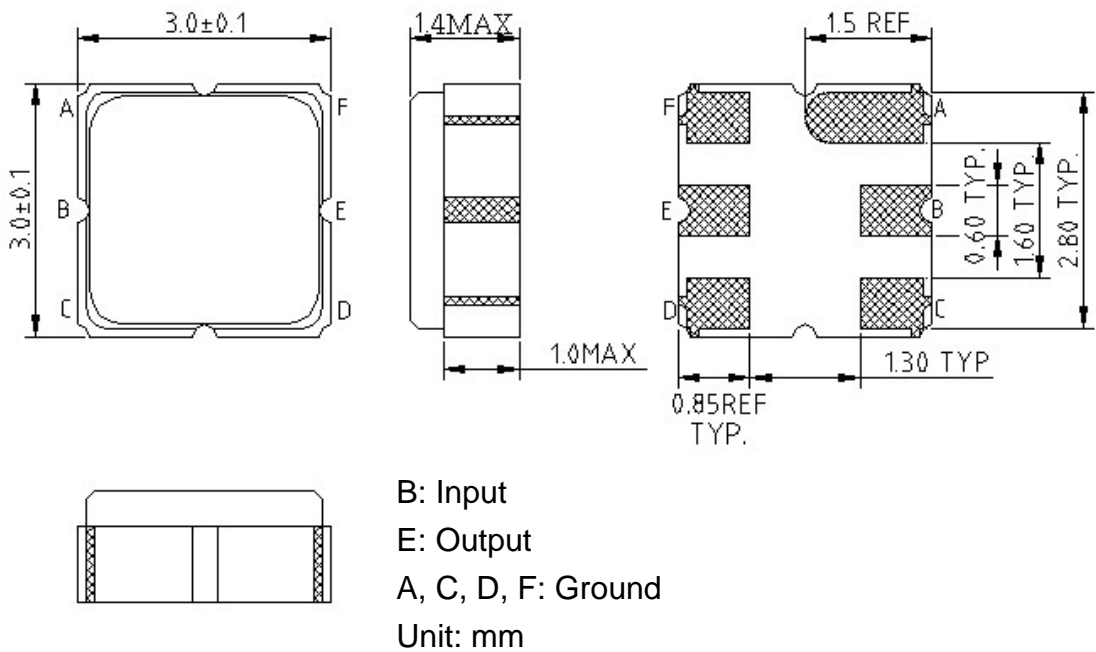
SAW Filter 866.50MHz
Part No: MP02248

Model No: TA0801A
Rev No: 4

D. MEASUREMENT CIRCUIT:



E. OUTLINE DRAWING:



F. PCB FOOTPRINT:

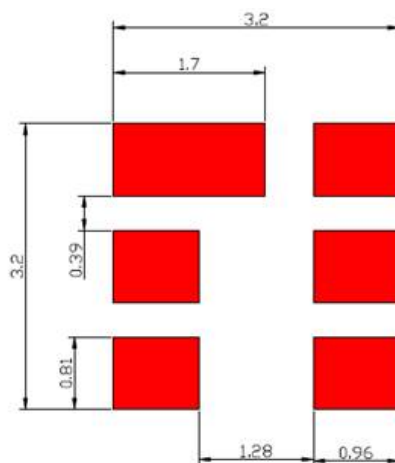


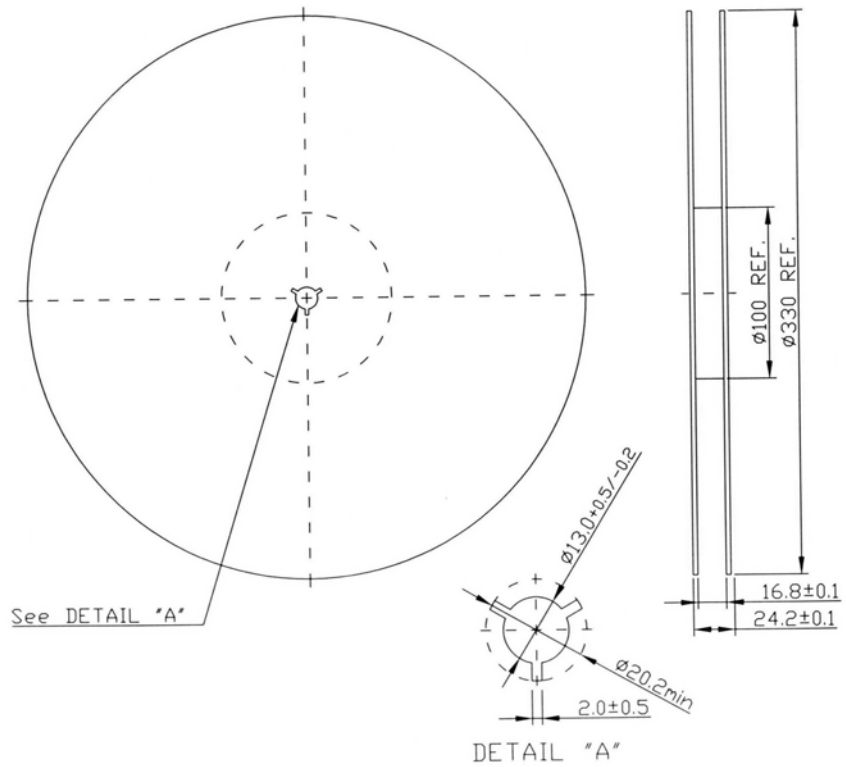
Fig.3 Desirable land area(in mm)

SAW Filter 866.50MHz
Part No: MP02248

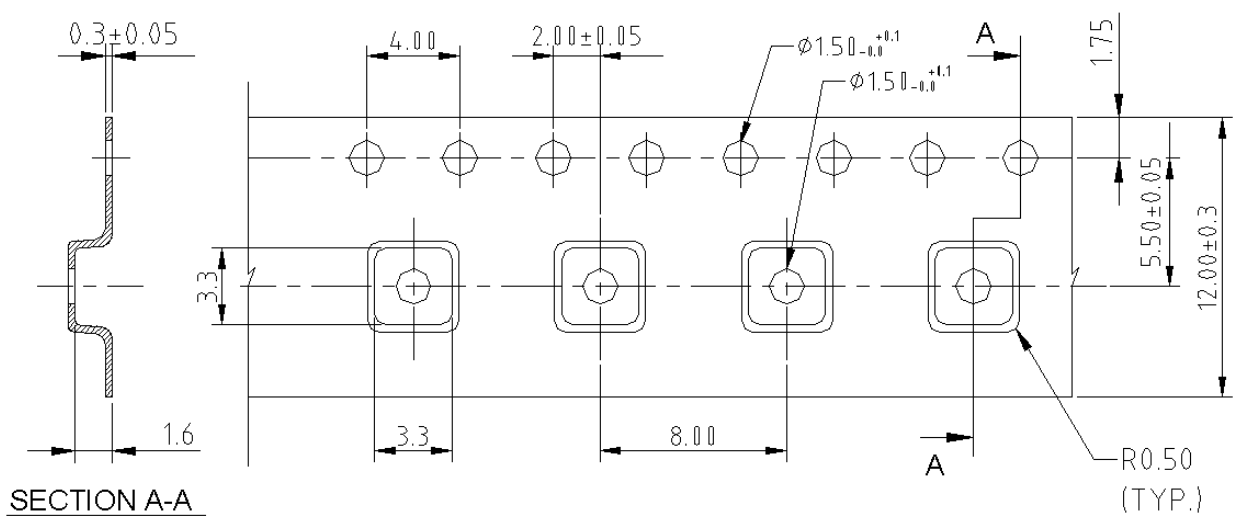
Model No: TA0801A
Rev No: 4

G. PACKING:

1. Reel Dimension



2. Tape Dimension



SAW Filter 866.50MHz
Part No: MP02248

Model No: TA0801A
Rev No: 4

H. RECOMMENDED REFLOW PROFILE:

1. Preheating shall be fixed at 150 ~ 180°C for 60 ~ 90 seconds.
2. Ascending time to preheating temperature 150°C shall be 30 seconds min.
3. Heating shall be fixed at 220°C for 50 ~ 80 seconds and at 260°C +0/-5°C peak (20 ~ 40 sec).
4. Time: 2 times.

