



Condition Monitoring Custom Products

CMCP785T

Dual Output Side Entry Accelerometer with Temperature

3 Pin MS Connector



Features:

- Dual Output Accelerometer with Temperature
- 100mV/g ±10% and 10mV/°C
- 140°C Max Temperature Range
- ±80g Dynamic Range
- 3 Pin MS 5015 Connector
- Class 1 Division 2 Approved
- Class 1 Division 1 Approved with IS Barrier or Isolator
- ¼"-28 or M8x1.25 Captive Mounting Bolt
- Sealed to IP68

Typical Applications

Fans, Motors, Pumps, Compressors, Centrifuges, Conveyors, Air Handlers, Gearboxes, Rolls, Dryers, Presses, Cooling, HVAC, Spindles, Machine Tooling, Process Equipment and many more.

Technical Performance

Mounted Base Resonance: 27 kHz (nominal)
 Sensitivity (Acceleration): 100mV/g ±10% Nominal 80Hz at 22°C
 Sensitivity (Temperature): 10mV/°C (0-100°C Range)
 Frequency Response: 1.0 Hz to 10 kHz ±10% (60cpm to 600kcpm)
 0.8 Hz to 12 kHz ±3dB (48cpm to 720kcpm)
 Measurement Range: ±80 g
 Transverse Sensitivity: Less than 5%

Electrical

Electrical Noise: 0.1mg max
 Current Range: 0.5mA to 8mA
 Bias Voltage: 10-12 Vdc
 Settling Time: 1.5 Seconds
 Output Impedance: 200 Ohms max.
 Case Isolation: >10⁸ Ohms at 500 Volts

Environmental

Operating Temperature Range: -67 to 284°F (-55 to 140°C)
 Sealing: IP68 / Hermetically Sealed
 Maximum Shock: 5000 g
 Approvals: CE Approved
 CSA/UL Class 1 Division 2, Groups B, C and D

Mechanical

Case Material: Stainless Steel
 Sensing Element: PZT/Compression
 Mounting Torque: 5.9ft. lbs (8Nm)
 Weight: 6.5 Oz (185 grams)
 Mating Connector: 3 Pin MIL 5015 MS Connector
 Mounting Thread:
 CMCP785T: 1/4"-28 UNF Captive Bolt Supplied with Sensor
 CMCP785T-M8: M8x1.25 Captive Bolt Supplied with Sensor

Hazardous Location Ratings

Class I, II, III, Division 1 and 2, Groups A-G, T4, -55°C to + 110°C IP65

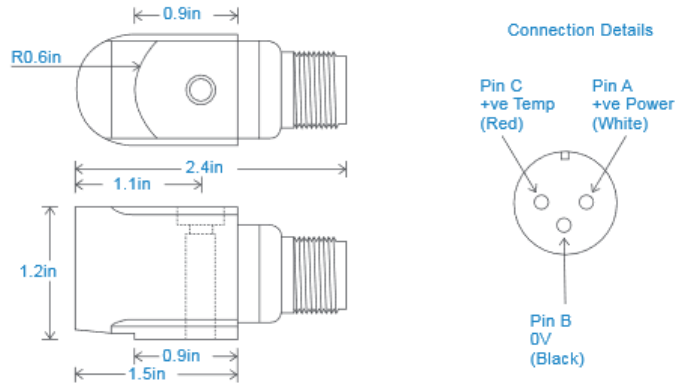
Class 1, Zone 0, AEx, ia, IIC, T4, Ga, -55°C to + 110°C

Zone 20, AEx, ia, IIIC, T130°C, IP65, Da, -55°C to + 110°C

Class I, II, III, Division 1, 2, Groups A-G, T6, -55°C to + 110°C

Zone 20, AEx, ia, IIIX, T80°C, IP65, DA, -55°C to + 110°C

Dimensions



Ordering Information:

CMCP785T

Dual Output Side Entry Accelerometer with Temperature, 100mV/g, ¼-28 UNF Mount

CMCP785T-M8

Dual Output Side Entry Accelerometer with Temperature, 100mV/g, M8x1.25 Mount

Alternative Sensitivity Ordering Information:

CMCP785T-XXX

Specify Sensitivity in Place of -XXX

50mV/g (-050), 250mV/g (-250) and 500mV/g (-500)

Recommended Cable Assemblies:

General Purpose TPE Jacketed Cable (Rated to 120°C)

CMCP603L Series 3 Socket MS Connector, Locking Collar, IP67

CMCP603LST Series 3 Socket MS Connector, Push On Seal Tight, IP68

High Temperature FEP Jacketed Cable (Rated to 200°C)

CMCP603H Series 3 Socket MS Connector, Locking Collar, IP67

CMCP603HST Series 3 Socket MS Connector, Push On Seal Tight, IP68

Similar Products:



M12 Connector
CMCP785T-M12



Submersible
CMCP785T-IP



Integral Armored Cable
CMCP785T-I