

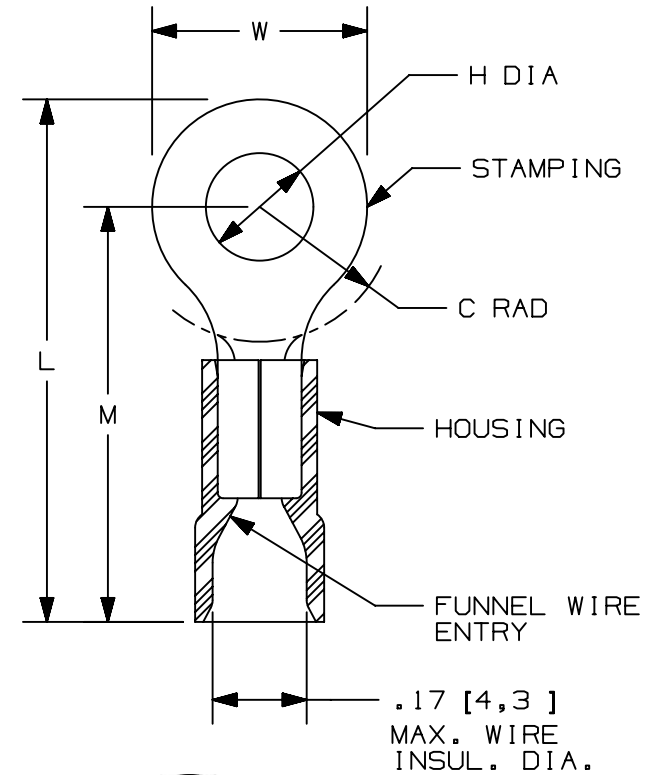
THIS COPY IS PROVIDED ON A RESTRICTED BASIS AND IS NOT TO BE USED IN ANY WAY DETRIMENTAL TO THE INTERESTS OF PANDUIT CORP.

PANDUIT PART #	STUD SIZE		DIMENSIONS in. [mm]				
	ENGLISH	METRIC	L ± .03 [0,8]	W ± .01 [0,3]	C ± .02 [0,5]	M ± .03 [0,8]	H ± .01 [0,3]
PV14-4R	#4	--	.84 [21,3]	.25 [6,4]	.19 [4,8]	.71 [18,0]	.12 [3,1]
PMV2-3RB *	--	M3	.81 [20,5]	.23 [5,8]	.25 [6,4]	.71 [18,0]	.13 [3,3]
PV14-6RN	#6	M3,5	.84 [21,3]	.25 [6,4]	.19 [4,8]	.71 [18,0]	.15 [3,8]
PV14-6R	#6	M3,5	.92 [23,4]	.31 [7,9]	.25 [6,4]	.76 [19,3]	.15 [3,8]
PV14-8R	#8	M4	.92 [23,4]	.31 [7,9]	.25 [6,4]	.76 [19,3]	.17 [4,3]
PV14-10R	#10	--	.92 [23,4]	.31 [7,9]	.25 [6,4]	.76 [19,3]	.20 [5,1]
PMV2-5RB *	--	M5	.94 [23,9]	.35 [8,89]	.25 [6,4]	.76 [19,3]	.21 [5,3]
PV14-14R	1/4"	M6	1.12 [28,5]	.46 [11,7]	.38 [9,7]	.89 [22,6]	.27 [6,9]
PV14-56R	5/16"	M8	1.12 [28,5]	.46 [11,7]	.38 [9,7]	.89 [22,6]	.34 [8,6]
PV14-38R	3/8"	--	1.21 [30,7]	.53 [13,5]	.43 [10,9]	.94 [23,9]	.40 [10,2]
PV14-12R	1/2"	--	1.42 [36,1]	.72 [18,3]	.53 [13,5]	1.06 [26,9]	.52 [13,2]

\* NOT UL LISTED

NOTES:

- USED FOR:
  - A. 16-14 AWG [1,5-2,5 mm<sup>2</sup>] STRANDED COPPER WIRE
  - B. 221°F [105°C] MAX. OPERATING TEMPERATURE
  - C. 600V. MAX. BLDG WIRE (1000 V. MAX. IN SIGNS, FIXTURES & LUMINAIRES)
- INSTALLATION TOOLS PANDUIT APPROVED:
  - A. UL APPROVED: CT-100A, CT-600-A (CT-550CH) CT-1550, CT-1551, CT-2500 (CT-2550CH)
  - B. PANDUIT APPROVED: CT-160, CT-260, CT-400
- WIRE STRIP LENGTH: 5/16 <sup>+1/32</sup> [7,9 <sup>+0,8</sup>]
- MATERIAL:
  - A. STAMPING: .032" [0,8] THK COPPER, TIN PLATED
  - B. HOUSING: VINYL, BLUE
- SEE [www.panduit.com](http://www.panduit.com) FOR PACKAGE QUANTITIES INDICATED BY PART NUMBER SUFFIX
- DIMENSIONS IN BRACKETS ARE METRIC EQUIVALENT



LISTED  
587H  
E52164



CERTIFIED  
LR31212

TITLE <b>RING TERMINALS, 2 PC. VINYL INSULATED, #16-14</b>												
CUSTOMER DRAWING												
ITEM REVISION NAME N41184BA/08					<b>PANDUIT</b> <sup>TM</sup>							
DATASET FILE NAME N41184BA_DC/08												
UNLESS OTHERWISE SPECIFIED, DIMENSIONAL TOLERANCES ARE: IN [mm]												
.x ± .1 [2.54]					.xxx ± .005 [.13]							
.xx ± .01 [.25]					ANGLES ± 5°							
THIRD ANGLE PROJECTION												
DRAWING NUMBER: A41184												
REV	DATE	BY	CHK	APR	DESCRIPTION	ECN	DRAWN BY FES	DATE -	CHK LCA	SCALE N.T.S.	SHEET 1 OF 1	SIZE A

D10100DA/12