



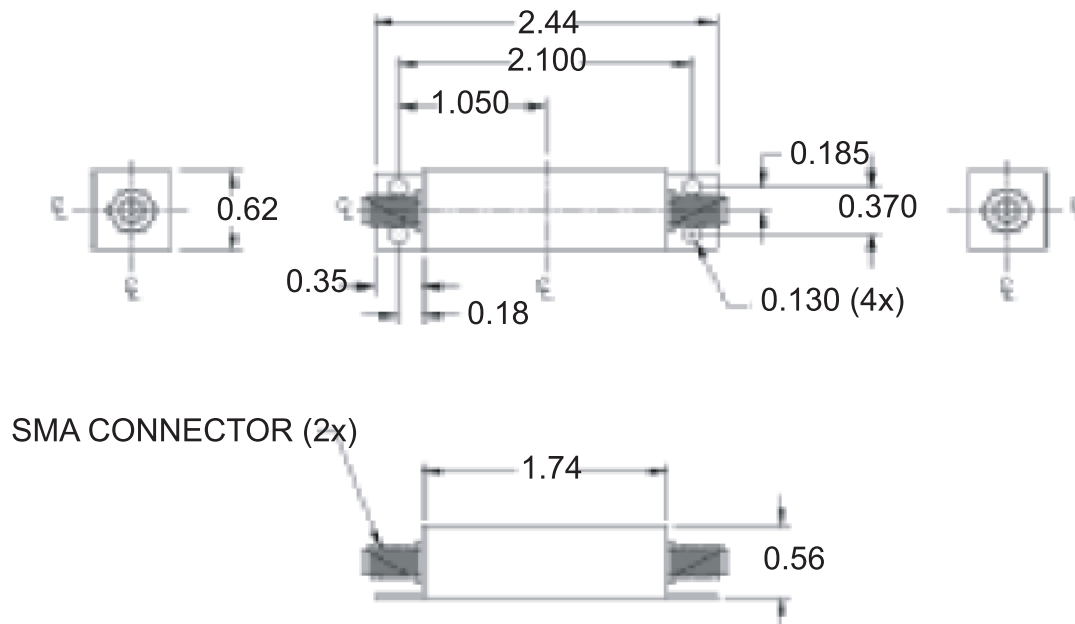
FM Bandpass Crystal Filter

P/N: AM96.4CR158

Specification:

| | |
|------------------------|--------------------------|
| Filter Type | Band Pass |
| Center Frequency (Fo) | 96.4MHz |
| 3 dBc Band Width: | $\pm 75\text{KHz Max}^*$ |
| Insertion Loss: | 3.0dB Max |
| Pass Band Ripple: | 1.0dB Max |
| 20 dBc Band Width: | $\pm 250\text{KHz Max}$ |
| Impedance: | 50 Ohms |
| Operating Temperature: | 0 to +70°C |

Outline Drawing:



PC Mount and surface mount package styles also available.