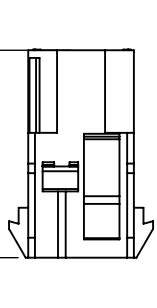
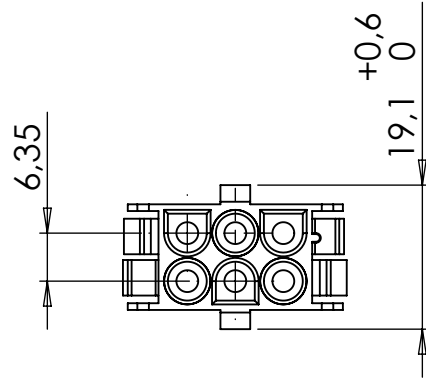


This drawing and all informations contained here can not be used or reproduced, integrity or partially, without written authorization by Colombo Sergio & Figli.

27,5 ±0,3

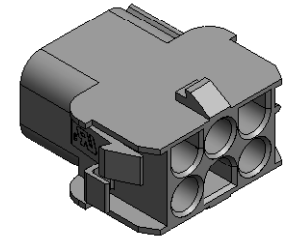
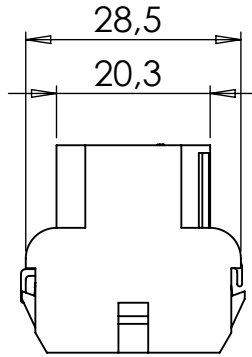


6,35



28,5


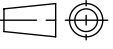
20,3



DIMENSIONS WITHOUT TOLERANCES				CS-LK06F	PA66 UL94 V-2
$\angle \pm 2^\circ$	0 - 6	±0.1	CS-LK06FV0	PA6/66 UL94 V-0	
	6 - 30	±0.2	CS-LK06FSTY	PA46 UL94 V-2	
	> 30	±0.3	CS-LK06FV0750NF	PA66 UL94 V-0 GWIT 775	
			CS-LK06F-G	PA6 UL94 V-2 GWIT 775	
			PART NUMBER	MATERIAL	

4	Added UL & CSA symbols	09/11/2011
3	Updated title box and raw materials table	05/05/2009
2	Updated drawing	10/11/2005
1	Updated tolerances and drawing	15/03/2001

INDEX	MODIFICATION	DATE
-------	--------------	------

		
COLOMBO SERGIO e Figli S.r.l. 20063 CERNUSCO S/N - VIA COMO, 11 TEL +39.02.9210.7404 - FAX +39.02.9210.0217 http://www.cscolombo.com - e-mail: info@cscolombo.com		

CHECKED BY	DATE	DESIGN UNITS
Stefano Scaglioni	09-11-2011	METRIC

DRAWN BY	DATE	WEIGHT
Stefano Querzoli	09-11-2011	

SCALE	CAD REFER	SIZE	INDEX 0
1:1	Y:\dis\cs\lk\06vie\l	A4	05/08/1997

BASE CODE	DESCRIPTION
CS-LK06F	6 Poles cap connector for LK series cylindrical terminals