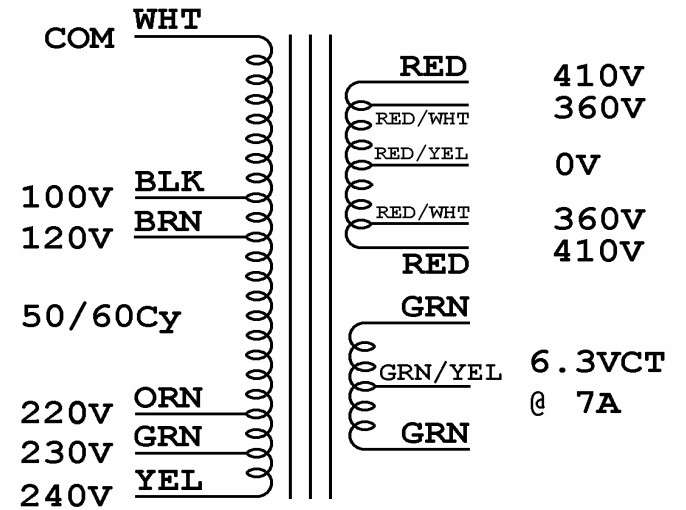
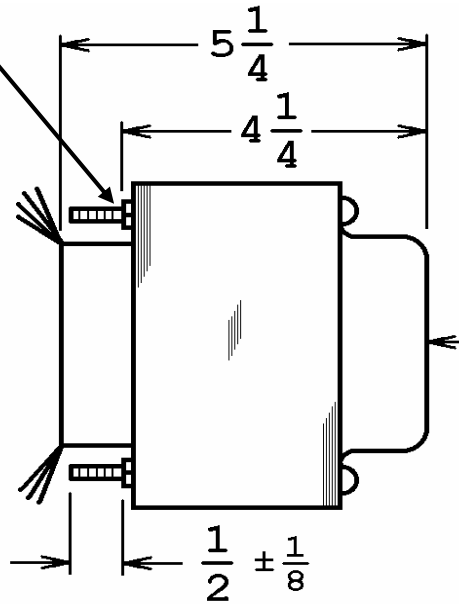
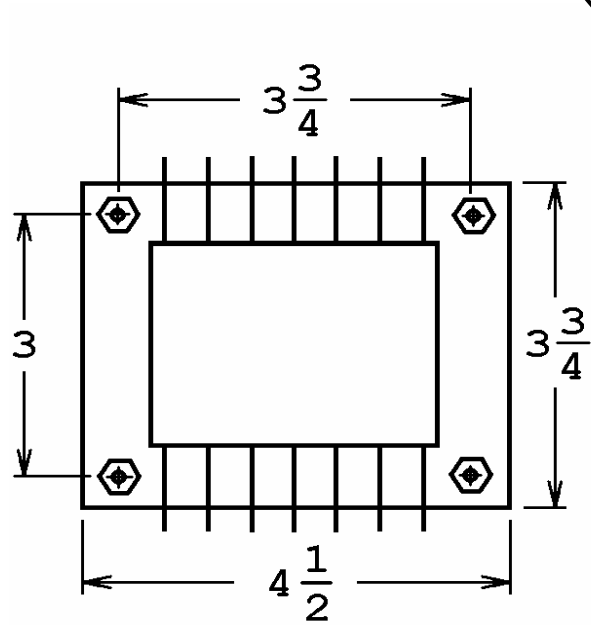


40-18068

This drawing is the property of Magnetic Components, Inc. and shall not be reproduced, in whole or in part, without the written permission of Magnetic Components, Inc.

REVISIONS			
LTR	DESCRIPTION	DATE	APPROVED
A	5/16 WAS 1/2 FOR STUD LENGTH	08/26/11	M. Sacketti
B	ADD #8-32	09/13/11	M. Sacketti
C	ADD MOUNTING HARDWARE NOTE	10/28/11	M. Sacketti
D	1/2 WAS 5/16 FOR STUD LENGTH	06/18/14	M. Sacketti

USE FOUR # 8-32 HEX NUTS (NOT SUPPLIED) FOR CHASSIS MOUNTING. PLEASE DO NOT REMOVE EXISTING HEX NUTS.



USE RED/WHT-RED/YEL-RED/WHT FOR ~ 490V B+
 USE RED-RED/YEL-RED FOR ~ 560V B+

Classic Tone™
 By Magnetic Components, Inc.
 40-18068
 166-DATE
 MADE IN U.S.A.

UNLESS OTHERWISE SPECIFIED ALL DIMENSIONS IN INCHES DO NOT SCALE DRAWING FRACTIONS +/- .X = +/- .XX = +/- .XXX = +/- ANGLES = +/-	SIGNATURES	DATE	MAGNETIC COMPONENTS, INC.		DIV :
	DRAWN : <i>MJF</i>	17 JUN 2011	TITLE		LOC : SCHILLER PK
	CHECK :		JTM45/100 100W POWER		
	APPR : <i>M. Sacketti</i>	17 JUN 2011	CAGE	50508	SIZE
		SCALE	NONE	A	40-18068
					REV
					D
					SHEET :