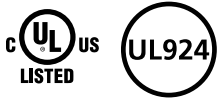


UL924 AUTOMATIC LOAD RELAY

EMERGENCY LIGHTING CONTROL

FEATURES

- Meets NEC Article 700 requirements for emergency lighting
- Dual voltage, 120 or 277V operation
- Normally closed contacts for emergency lighting
- Normally open contacts for 0–10V dimming override
- Provision for remote test button or fire alarm interface
- Multi-color function LED
- Suitable for use in return air plenums
- 5 year warranty



RELATED PRODUCTS

- Ø [Bypass Relays](#)
- Ø [Branch Circuit Emergency Lighting Control Transfer Switch](#)
- Ø [UL924 Flush Mount Relay](#)

SPECIFICATIONS

CONSTRUCTION

- Flame retardant UL 94-5VA
- Thermoplastic
- Black Finish
- 15oz (425.24g)
- 4.0" L x 3.4" W x 1.73" H (101.6mm L x 86.36mm W X 43.94mm H)

INSTALLATION

- UL2043 Plenum rated for external junction box mounting via 1/2" nipple

INSTALLATION (CONTINUED)

- Relative humidity (non-condensing): 0 to 90%
- Operating Temperature: -40°F to 149°F (-40°C to 65°C)

ELECTRICAL

- 100–277VAC; 50/60Hz
- General Purpose: 15A, 120/277V
- Ballast: 20A, 120/277V
- HP Rating: ½ HP, 250V, ¼ HP, 120V
- Motor Controller Rating: ½ HP, 120V

CERTIFICATIONS

- UL/cUL, UL924 Listed for emergency lighting control

WARRANTY

- 5 year warranty
- See [HLI Standard Warranty](#) for additional information

ORDERING GUIDE

Example: ALCR1277

CATALOG #

ALCR1277

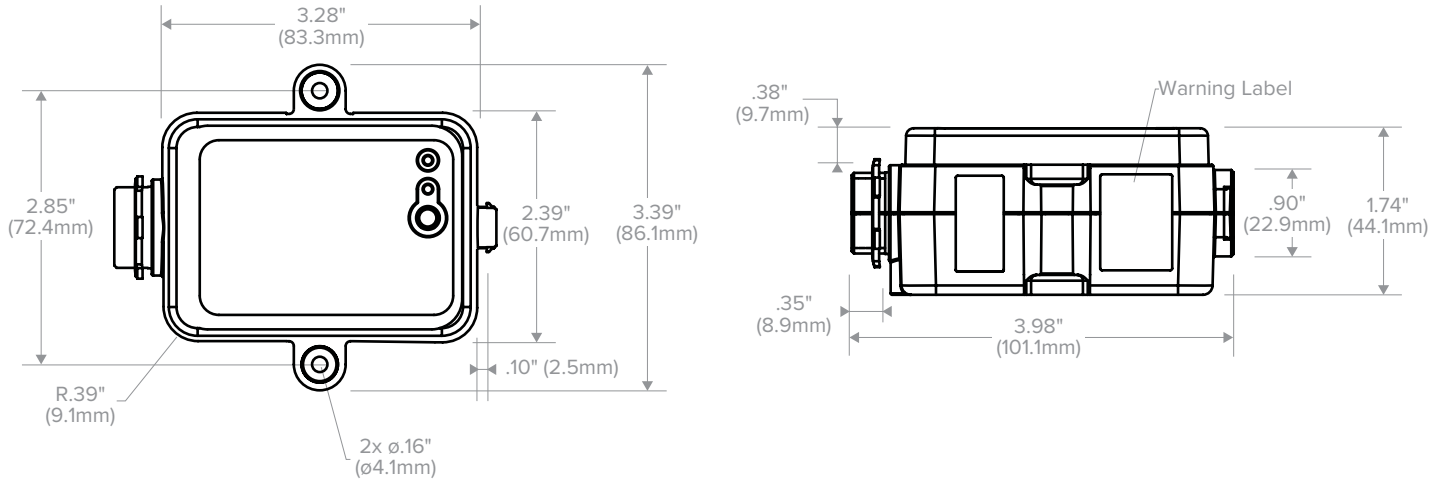
Model

ALCR1277 UL924, Emergency load control relay, with 0–10V dimming override, 120 – 277VAC

UL924 AUTOMATIC LOAD RELAY

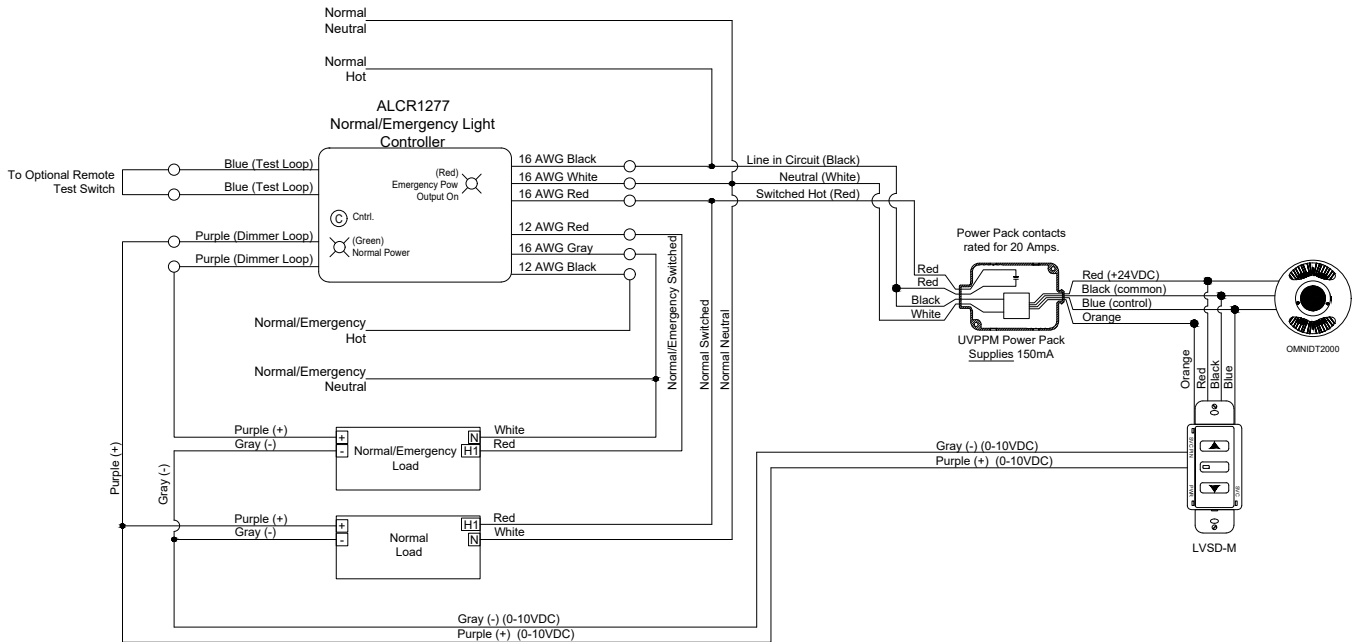
EMERGENCY LIGHTING CONTROL

DIMENSIONS



ADDITIONAL INFORMATION

Wiring Diagrams

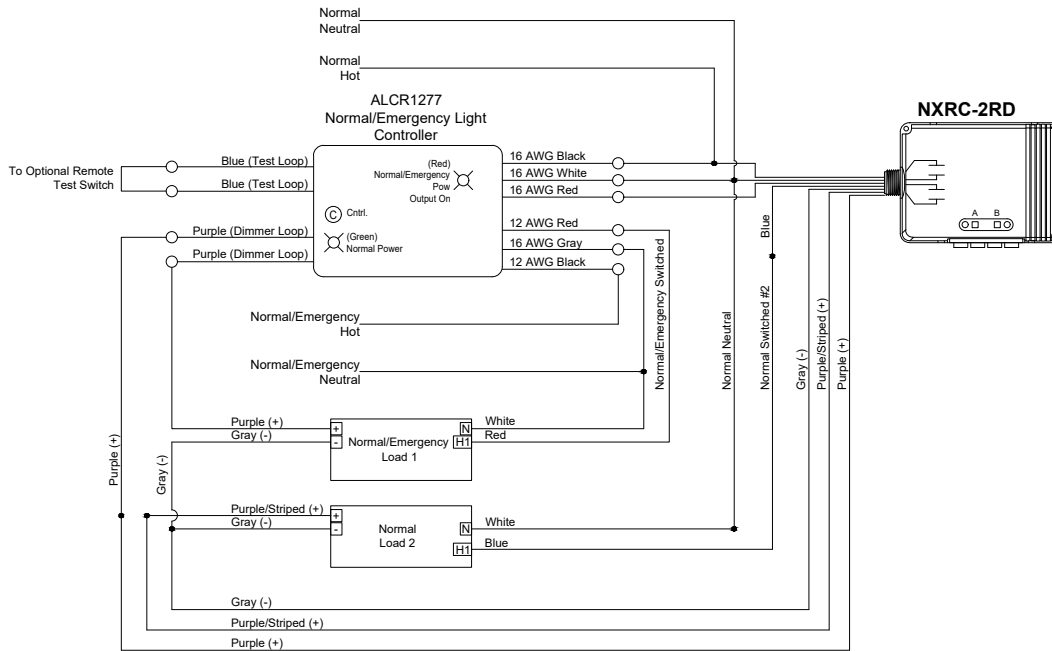
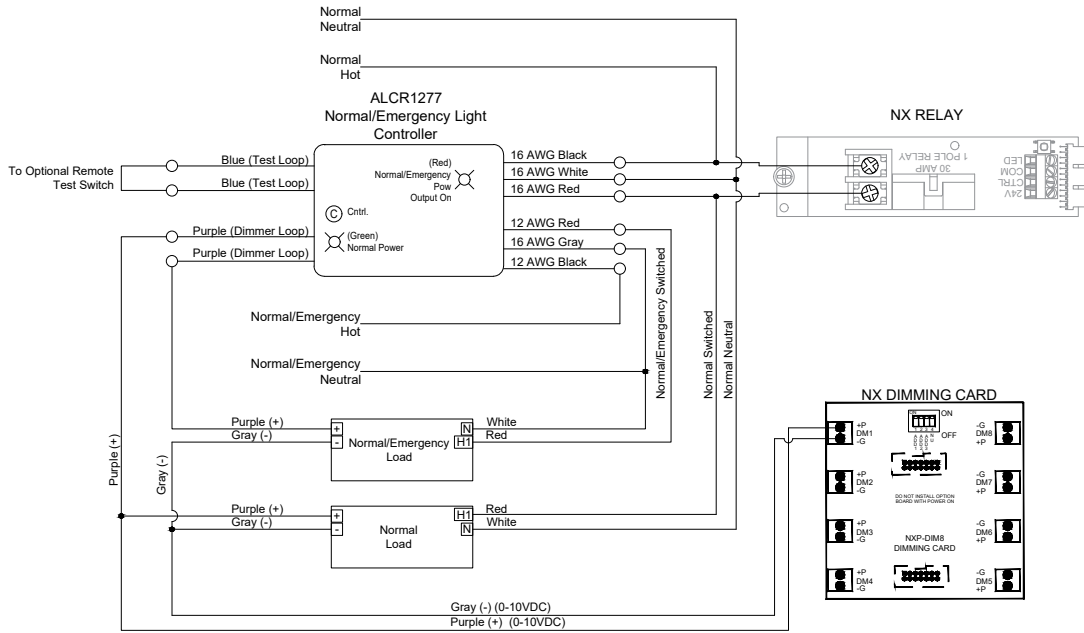


UL924 AUTOMATIC LOAD RELAY

EMERGENCY LIGHTING CONTROL

ADDITIONAL INFORMATION CONTINUED

Wiring Diagrams

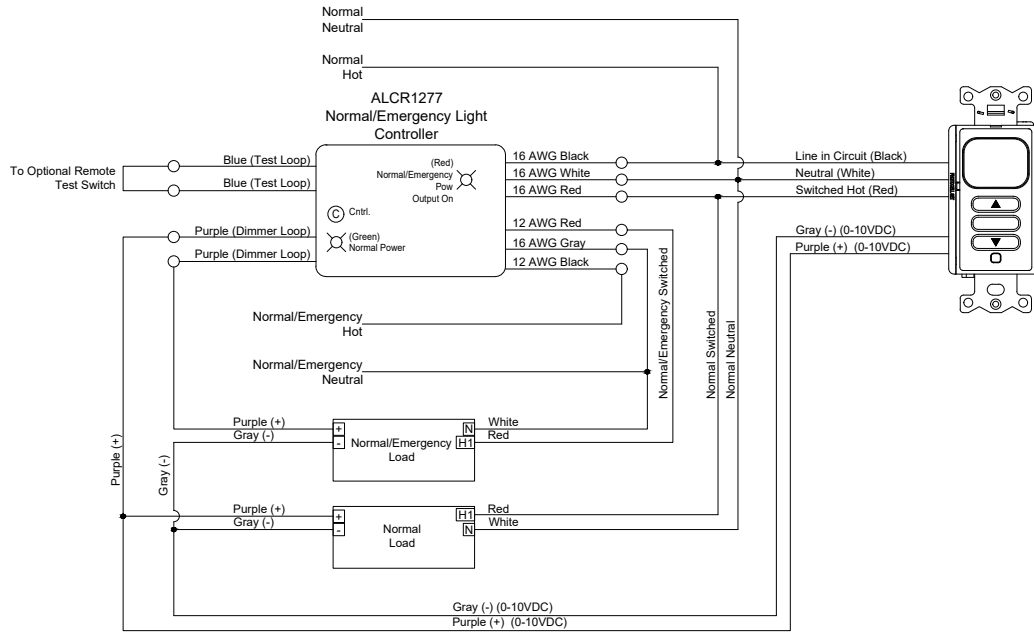


UL924 AUTOMATIC LOAD RELAY

EMERGENCY LIGHTING CONTROL

ADDITIONAL INFORMATION CONTINUED

Wiring Diagrams



© All product and company names, logos and product identifiers are trademarks™ or registered trademarks® of Hubbell Lighting, Inc. or their respective owners. Use of them does not necessarily imply any affiliation with or endorsement by such respective owners.