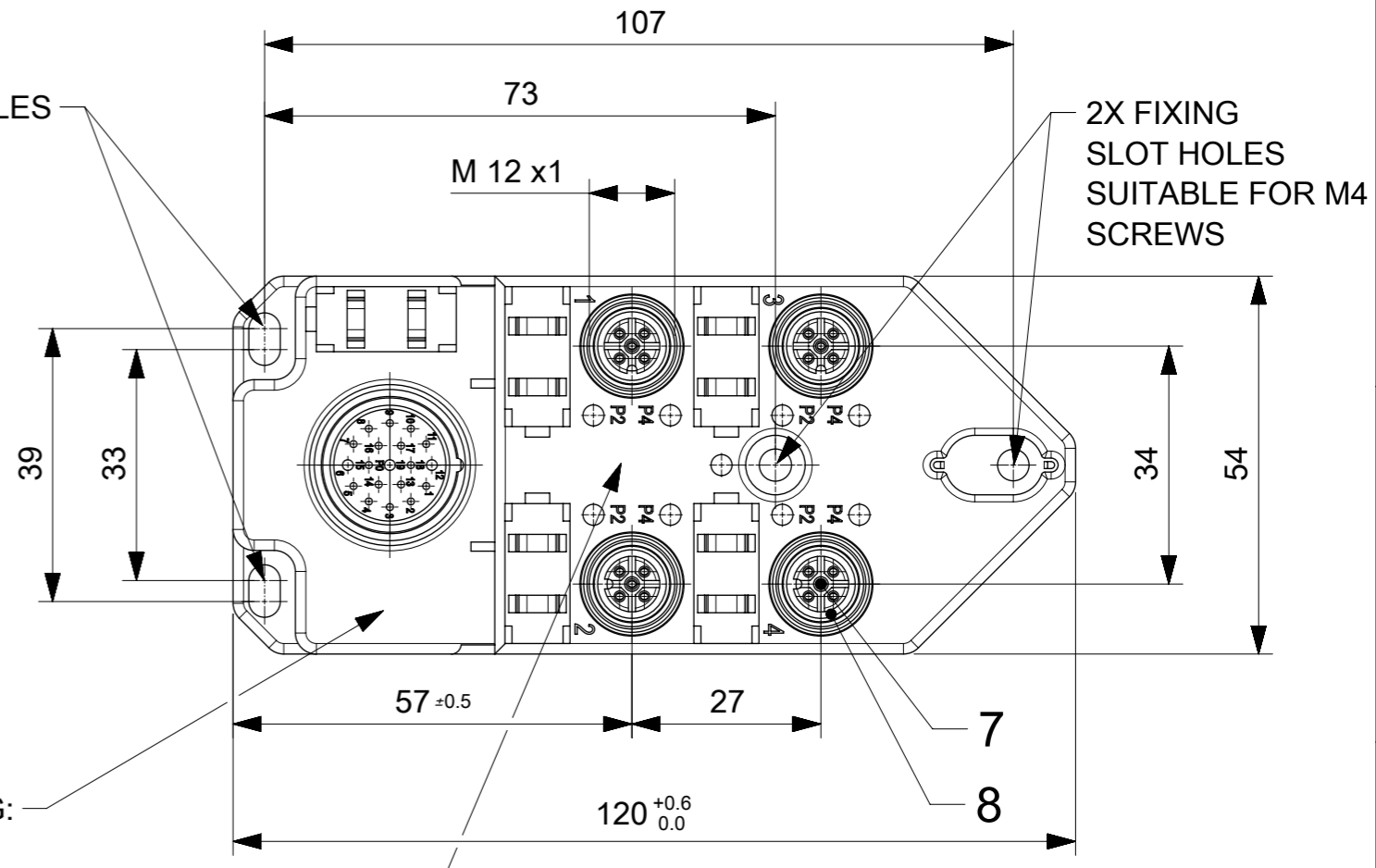


TABLE 1

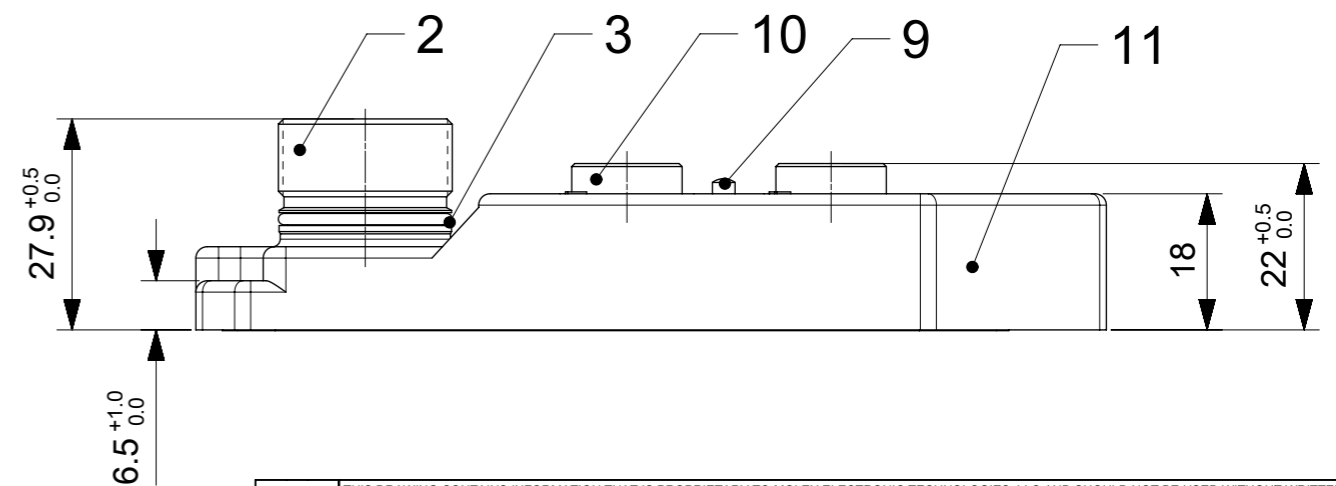
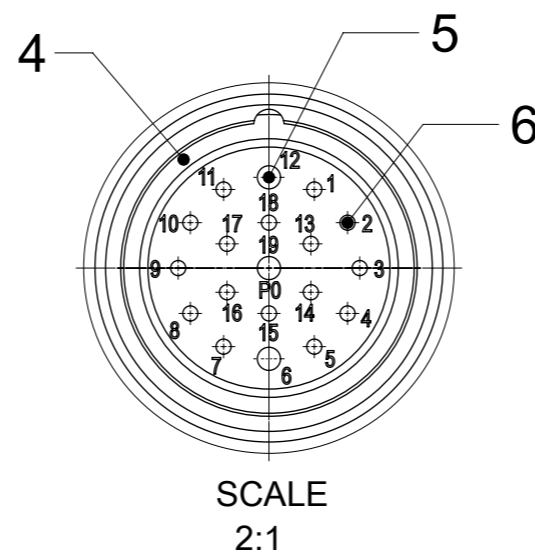
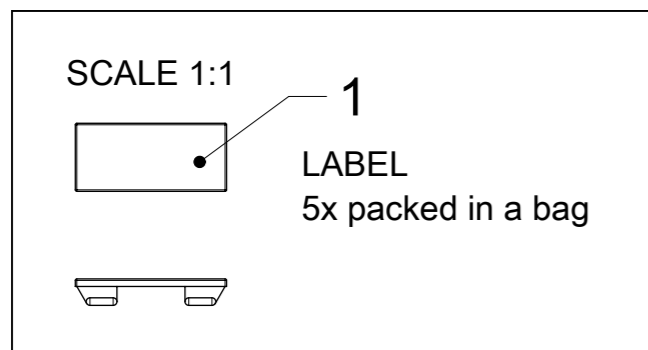
MOLEX P/N	ENG. NO.	LED
1202480061	BTB4030-FBC	NO
1202480062	BTB403P-FBC	YES
1202480134	BTB403N-FBC	YES

TABLE 2 BILL OF MATERIAL

ITEM	DESCRIPTION	MATERIAL	FINISH
1	LABEL	ABS	WHITE
2	SHELL	BRASS	NICKEL PLATED
3	O-RING	NBR	BLACK
4	O-RING	NBR	BLACK
5	CONTACT	BRASS	GOLD OVER NICKEL
6	CONTACT	BRASS	GOLD OVER NICKEL
7	CONTACT	BRONZE	GOLD OVER NICKEL
8	O-RING	FPM	RED
9	LED	NO LED = PA	BLACK
		WITH LED = PA	TRANSPARENT
10	SHELL	BRASS	NICKEL PLATED
11	HOUSING	PBT	BLACK



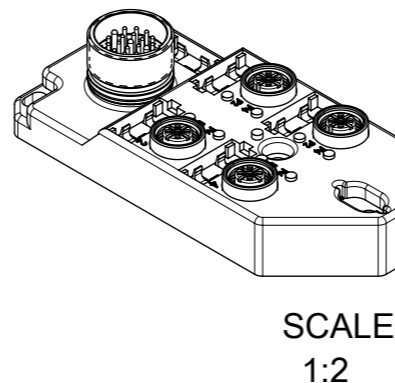
LASER PRINTING:  
 PN: 120248XXXX  
 ENG.: BTB403X-FBC  
 PO: XXXXXXXXXX



GENERAL CHARACTERISTICS:

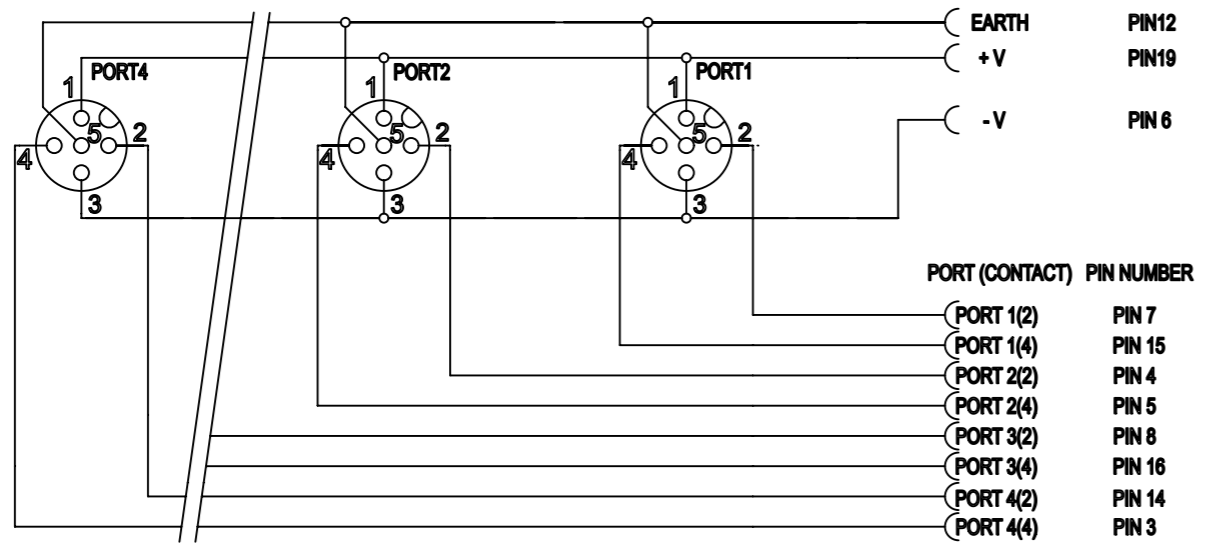
ELECTRICAL AND MECHANICAL DATA ACC. TO IEC 61076-2-101

NOMINAL VOLTAGE: 10-30 V DC  
 AMPERE RATING: 4 A PER PORT / 12 A MAX  
 AMPERE RATING WITH UL REGISTRATION: 3 A PER PORT / 9 A MAX  
 IP DEGREE OF PROTECTION: IP 67  
 TEMPERATURE RANGE: -25°C to + 85°C

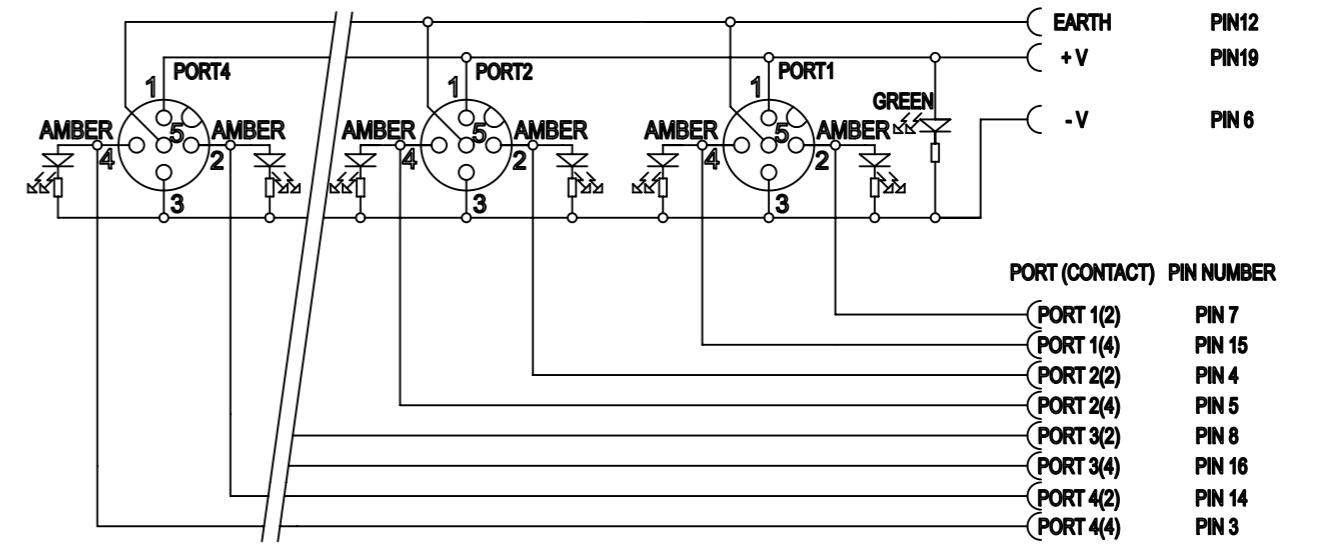


SYMBOLS		THIS DRAWING CONTAINS INFORMATION THAT IS PROPRIETARY TO MOLEX ELECTRONIC TECHNOLOGIES, LLC AND SHOULD NOT BE USED WITHOUT WRITTEN PERMISSION	
DIMENSION UNITS	SCALE	CURRENT REV DESC: LASER PRINT UPDATE	
mm		<b>molex</b> MPIS M12 PNP NPN NOS 5P 4PT 19P M23 BK XM STA DUAL	
GENERAL TOLERANCES (UNLESS SPECIFIED)			
ANGULAR TOL ± °		EC NO: 606042	2018/08/30
4 PLACES ±		DRWN: SSM	2018/10/18
3 PLACES ±		CHK'D: RSILLER	2018/10/18
2 PLACES ±		APPR: RSILLER	2018/10/18
1 PLACE ±		INITIAL REVISION:	
0 PLACES ± 0.25		DRWN: AAHLERS	2015/04/02
		APPR: RSILLER	2015/05/20
DRAFT WHERE APPLICABLE MUST REMAIN WITHIN DIMENSIONS	THIRD ANGLE PROJECTION	DRAWING	SERIES
		A3-SIZE	120248
		MATERIAL NUMBER	CUSTOMER
		SEE TABLE 1	GENERAL MARKET
		DOCUMENT NUMBER	DOC TYPE DOC PART REVISION
		1202480061	PSD 000 B
			SHEET NUMBER
			1 OF 2

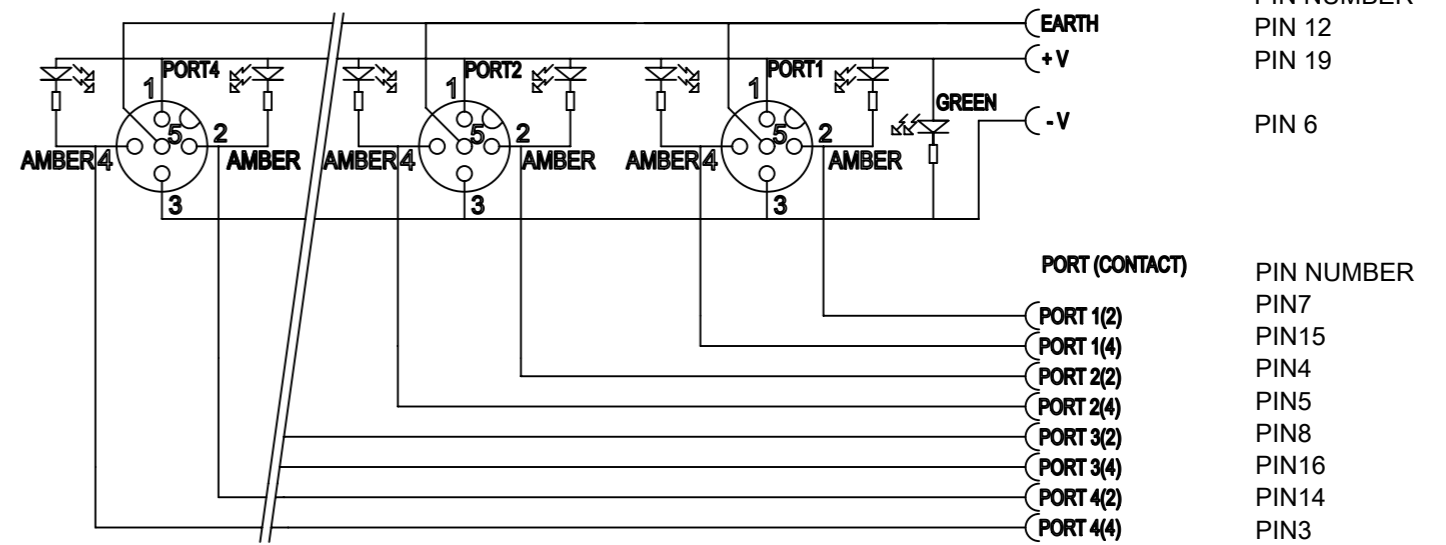
# Wiring Diagram NON LED



# Wiring Diagram PNP



# Wiring Diagram NPN Dual



<b>SYMBOLS</b> DIMENSION UNITS: mm SCALE: 1:1 GENERAL TOLERANCES (UNLESS SPECIFIED): ANGULAR TOL: ± 0° 4 PLACES: ± 0.1 3 PLACES: ± 0.05 2 PLACES: ± 0.025 1 PLACE: ± 0.0125 0 PLACES: ± 0.25 DRAFT WHERE APPLICABLE MUST REMAIN WITHIN DIMENSIONS THIRD ANGLE PROJECTION	THIS DRAWING CONTAINS INFORMATION THAT IS PROPRIETARY TO MOLEX ELECTRONIC TECHNOLOGIES, LLC AND SHOULD NOT BE USED WITHOUT WRITTEN PERMISSION CURRENT REV DESC: LASER PRINT UPDATE			
	EC NO: 606042 DRWN: SSM 2018/08/30 CHK'D: RSILLER 2018/10/18 APPR: RSILLER 2018/10/18			
	INITIAL REVISION: DRWN: AAHLERS 2015/04/02 APPR: RSILLER 2015/05/20		PRODUCT CUSTOMER DRAWING	
	DOCUMENT NUMBER: 1202480061 DOC TYPE: PSD DOC PART: 000 REVISION: B		MATERIAL NUMBER: SEE TABLE 1 CUSTOMER: GENERAL MARKET SHEET NUMBER: 2 OF 2	