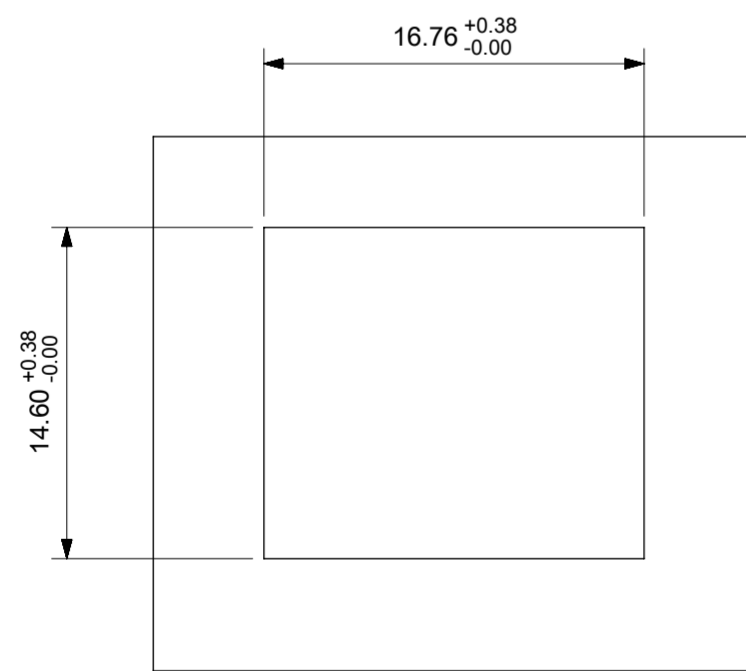
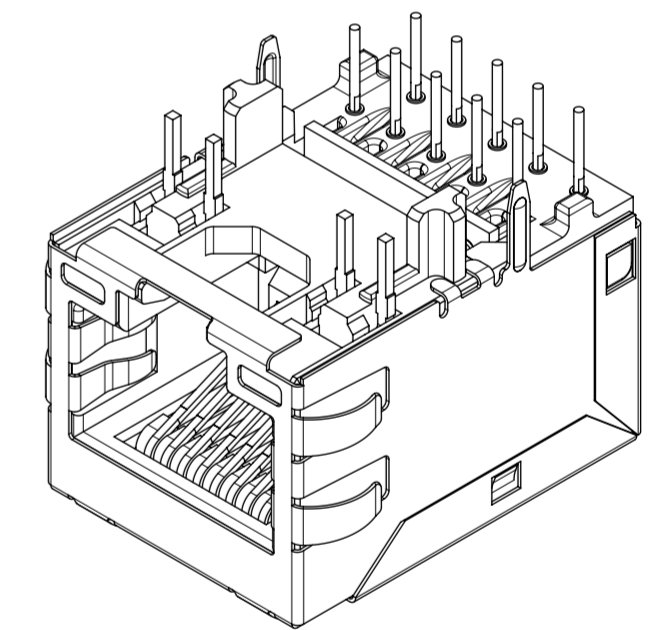
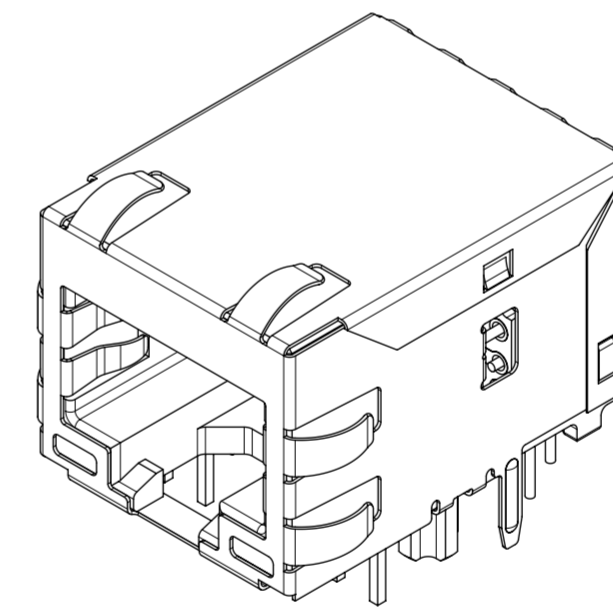
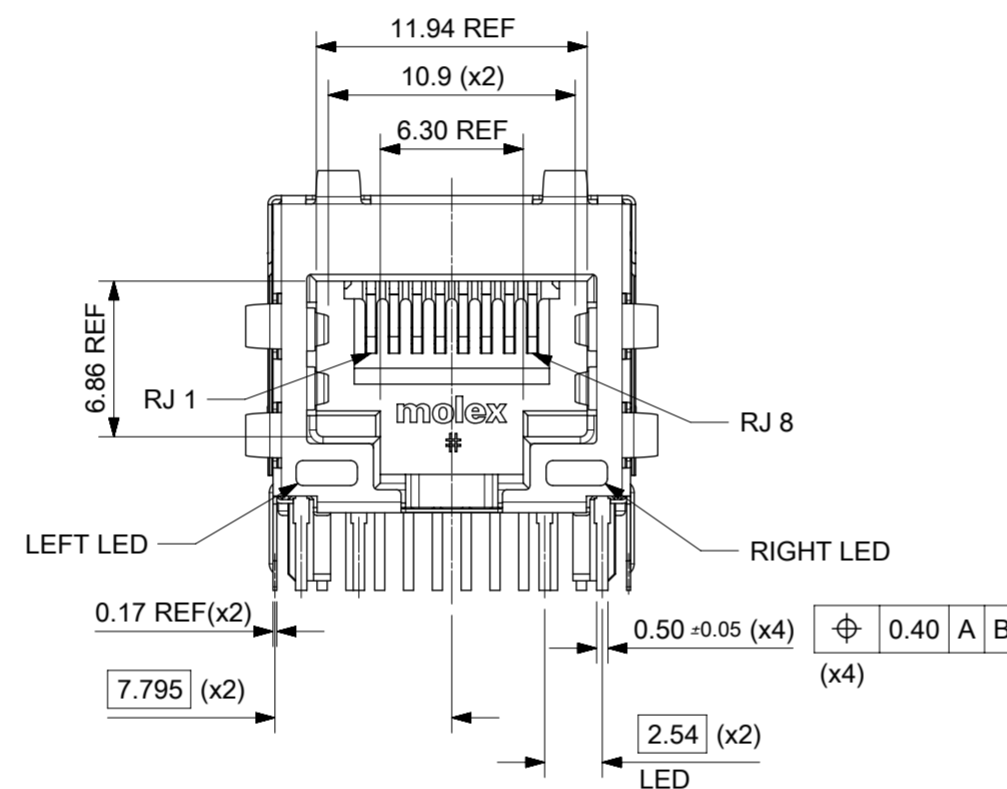
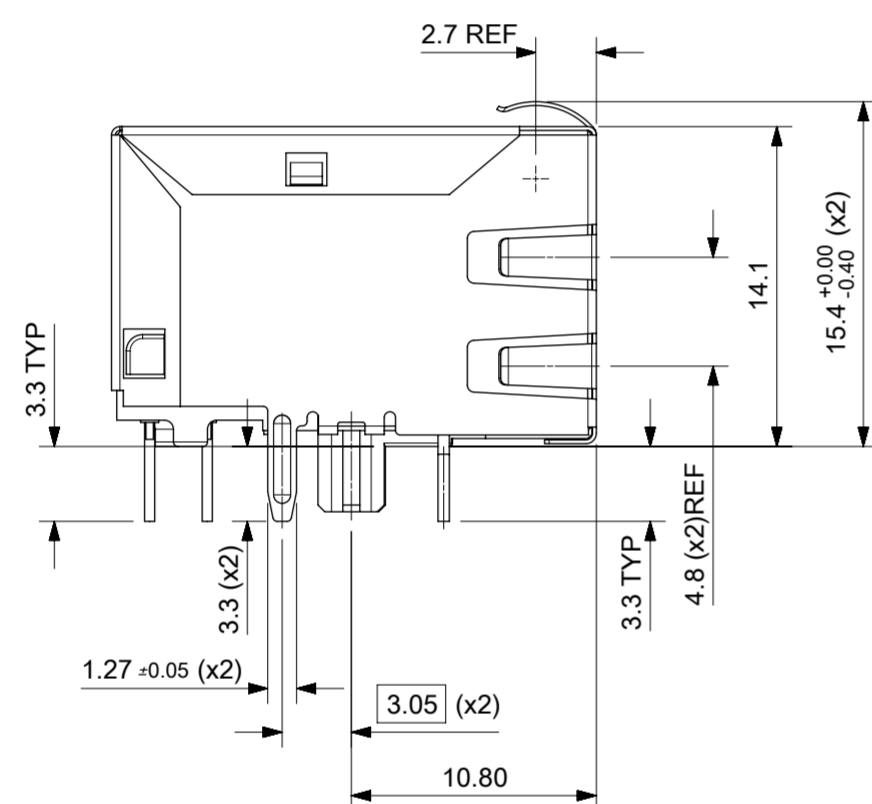
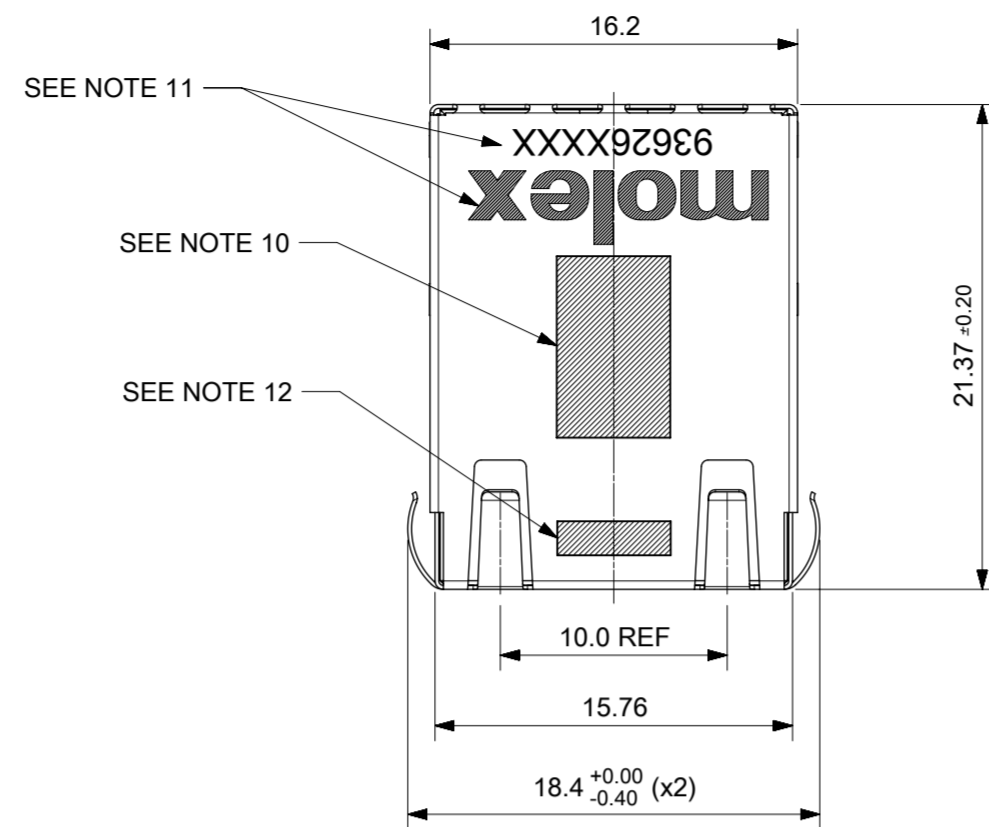
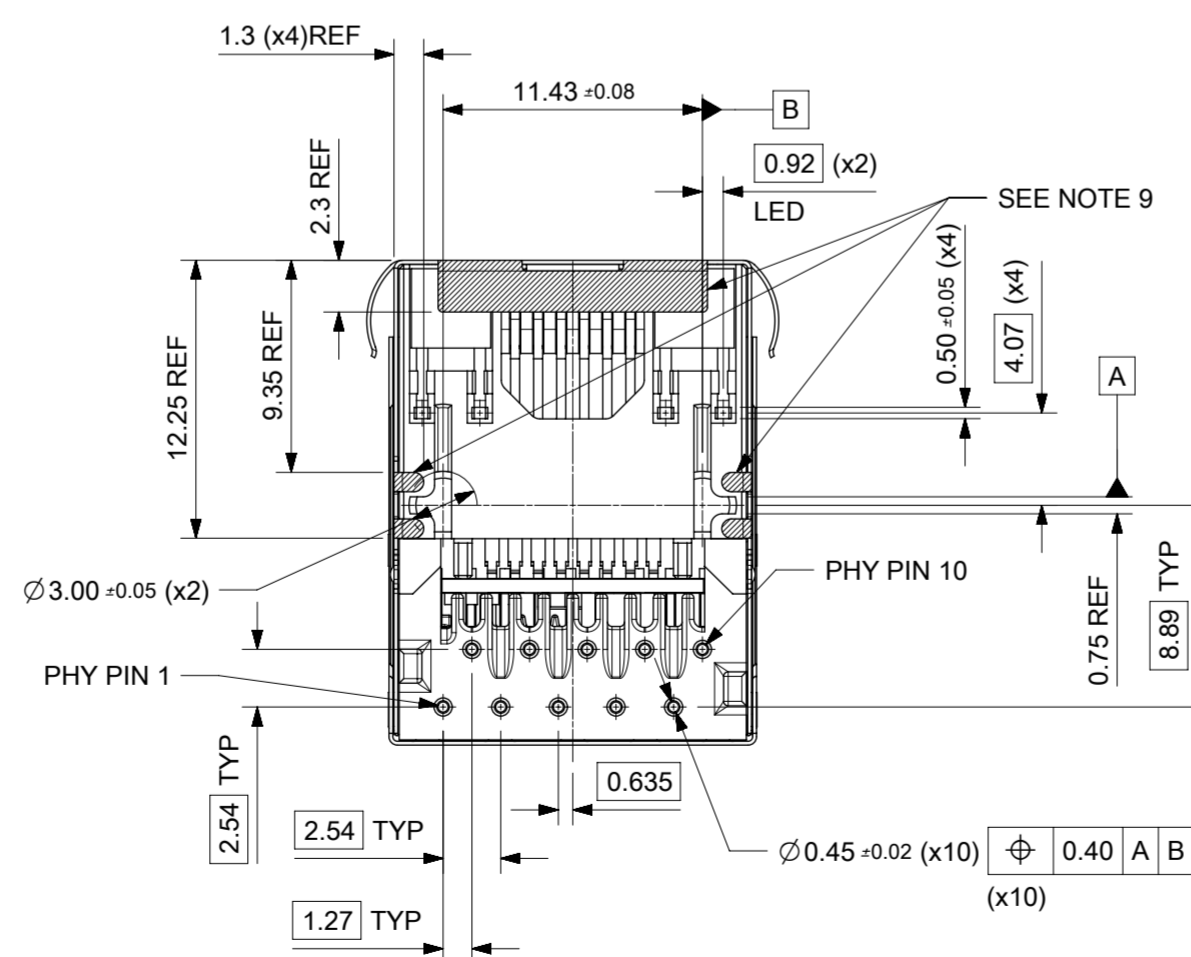


STANDARD PROFILE MAGNETIC JACK
GIGABIT ETHERNET W/LEDS
AND W/SHIELD TABS TOP AND SIDE

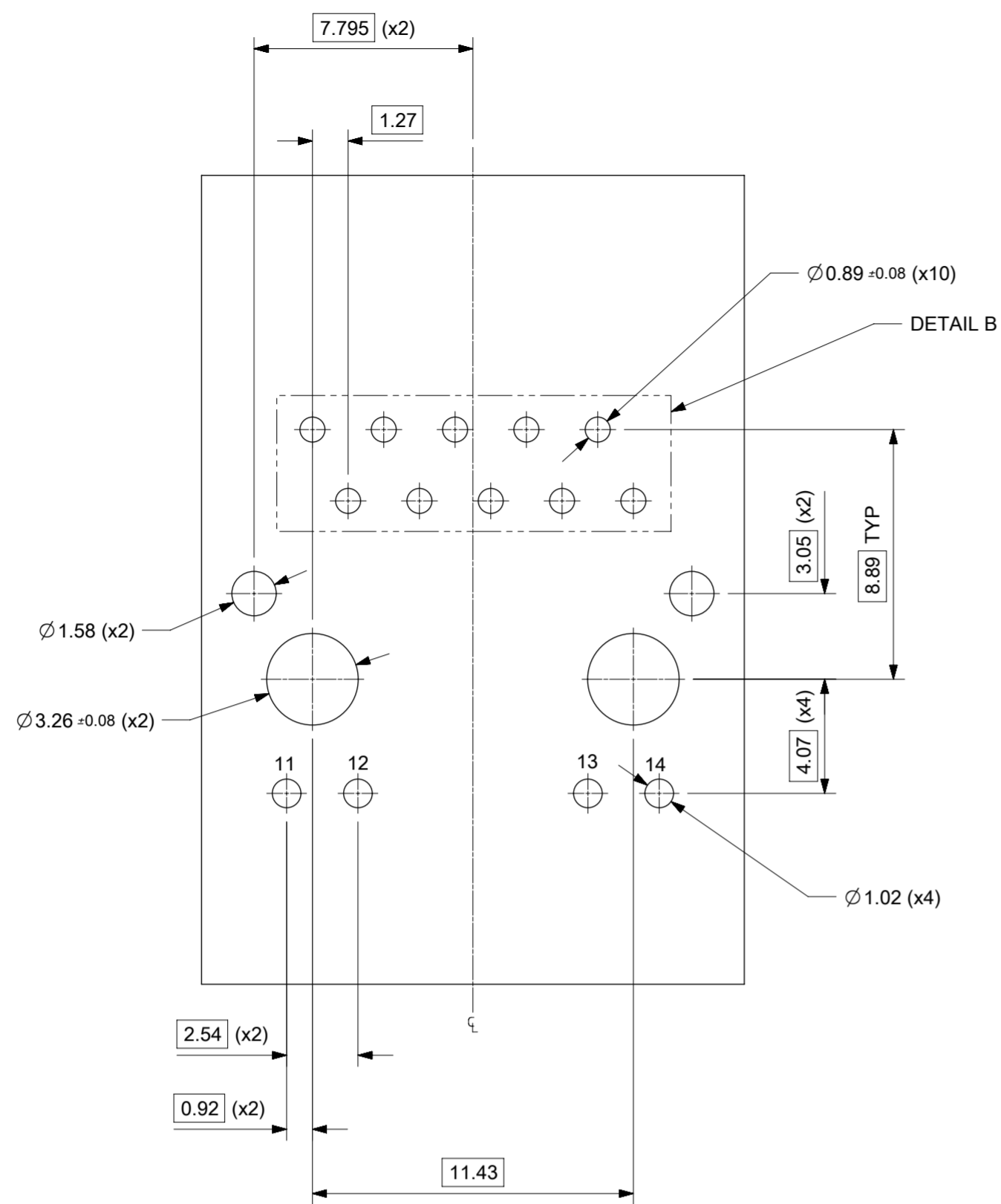


SUGGESTED PANEL CUT-OUT

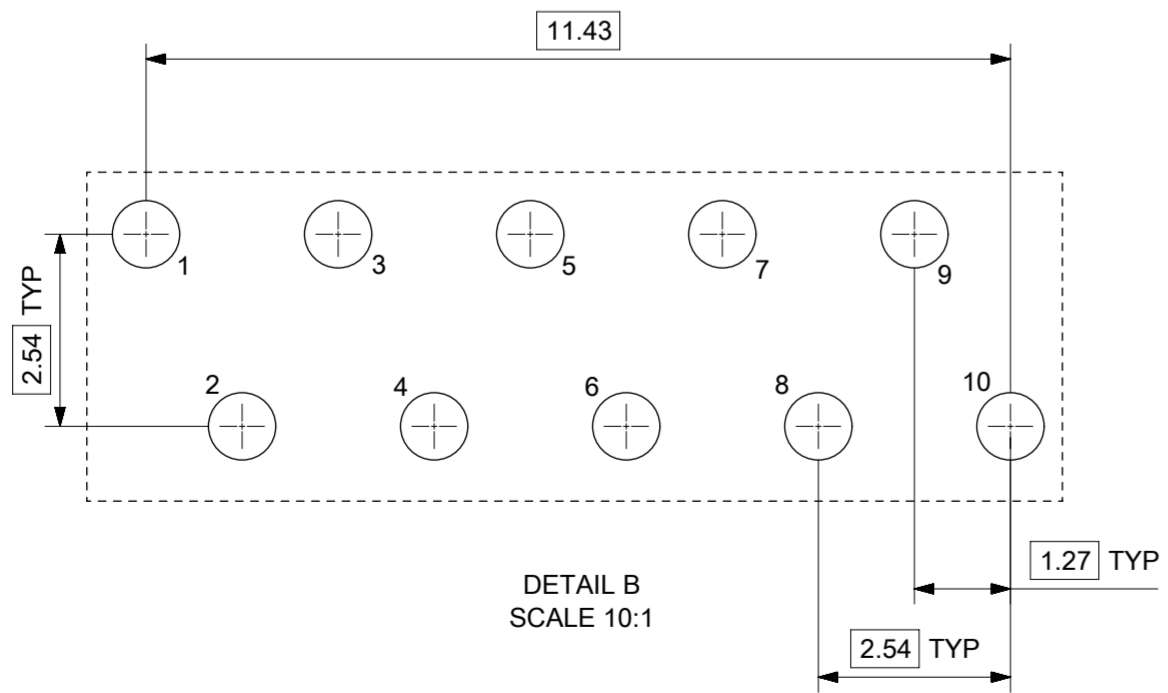


- NOTES:
- SHIELD MATERIAL: 0.17 mm THICK BRASS PRE-PLATED WITH NICKEL
SOLDER TABS POST DIPPED WITH MIN. 1.27 μm TIN
 - HOUSING MATERIAL: LCP, BLACK, UL 94 V-0
 - TERMINAL MATERIAL: PHOSPHOR BRONZE
RJ45 CONTACTS PLATING: BASE NICKEL PLATED WITH GOLD
FLASH OVER PALLADIUM NICKEL. REFER TO 934620001 PSP
PHY SOLDER TAILS: COPPER ALLOY
 - MATING INTERFACE ACCORDING TO IEC 60603-7 & TIA-1096-A
 - PRODUCT SPECIFICATION: 934620001 PSP
 - PACKAGING SPECIFICATION: 934620001 PSK TRAY
 - STAND OFF TO SYSTEM BOARD 0.30 mm MINIMUM
 - RECOMMENDED PCB THICKNESS: 1.57 mm
 - SHIELD: AVOID ROUTING TRACES
OR PLACING ANY VIAS BELOW THESE AREAS
 - AREA FOR PICK AND PLACE: 5.0 mm X 8.0 mm
 - INSCRIPTION MARKED BY LASER:
1st : MOLEX
2nd : P/N (SEE CHART)
 - DATE CODE(DAY/WEEK/YEAR)

THIS DRAWING CONTAINS INFORMATION THAT IS PROPRIETARY TO MOLEX ELECTRONIC TECHNOLOGIES, LLC AND SHOULD NOT BE USED WITHOUT WRITTEN PERMISSION									
DIMENSION UNITS		SCALE		CURRENT REV DESC: UPDATE TITLE BLOCK					
mm		3:1							
GENERAL TOLERANCES (UNLESS SPECIFIED)									
ANGULAR TOL		± 2.0°		EC NO: 174255					
4 PLACES		±		DRWN: DSHEA		2018/03/27			
3 PLACES		±		CHK'D: SMCGREEVY		2018/04/03			
2 PLACES		± 0.1		APPR: DBYRNES		2018/04/04			
1 PLACE		± 0.2		INITIAL REVISION:					
0 PLACES		±		DRWN: DSHEA		2017/12/20			
				APPR: DBYRNES		2018/02/01			
DRAFT WHERE APPLICABLE MUST REMAIN WITHIN DIMENSIONS				THIRD ANGLE PROJECTION		DRAWING		SERIES	
				A2-SIZE		93626		MATERIAL NUMBER	
				SEE CHART		GENERAL MARKET		CUSTOMER	
								DOC TYPE DOC PART REVISION	
								PSD 000 B	
								DOCUMENT NUMBER	
								936260004	
								SHEET NUMBER	
								1 OF 3	



SUGGESTED BOARD LAYOUT
GIGABIT VERSION
COMPONENT SIDE
ALL DIMS REFERENCE DIMS



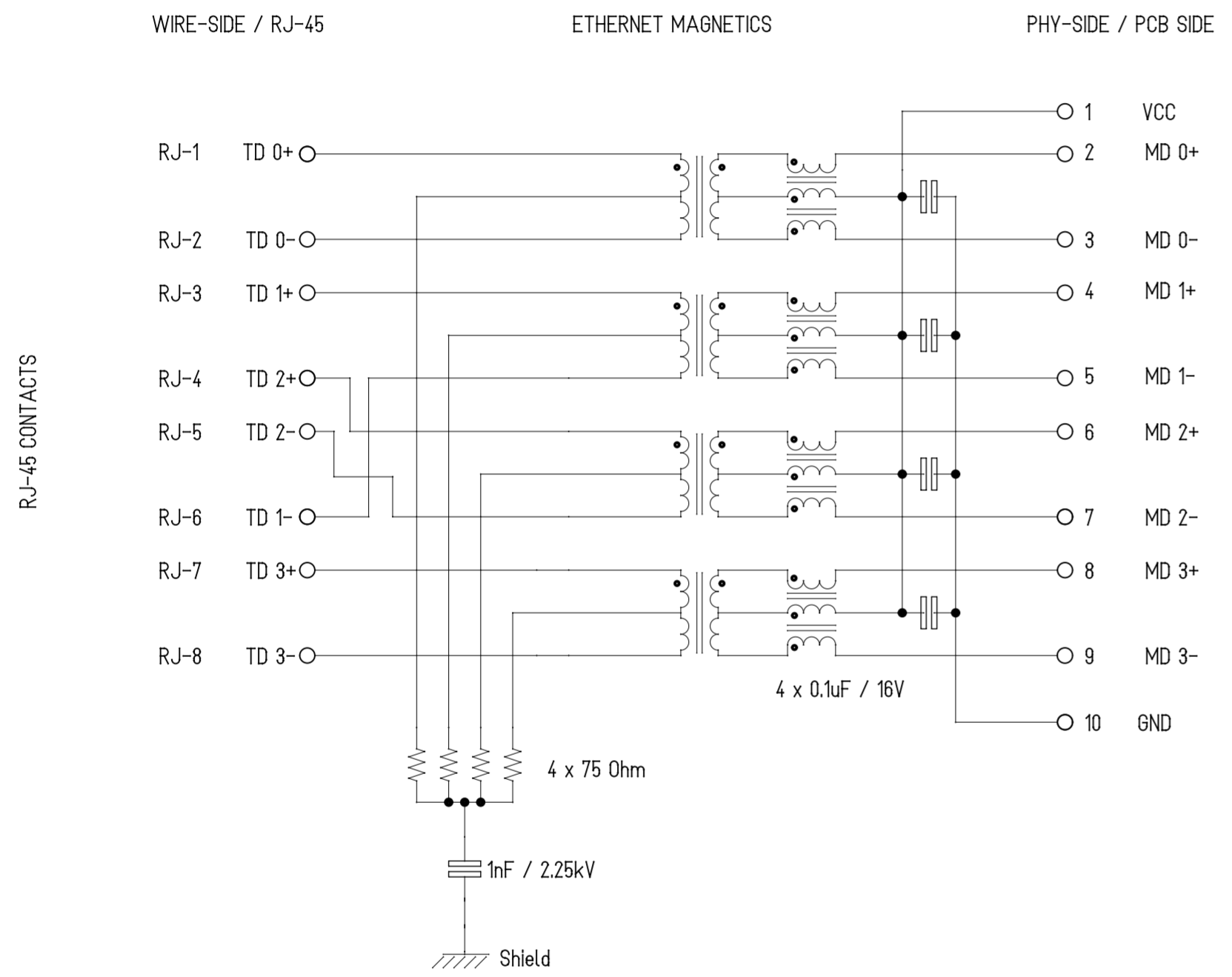
PIN CONFIGURATION
FOR GIGABIT VERSION

PART NUMBER	LEFT LED	RIGHT LED
93626-8508	GREEN/YELLOW	GREEN/YELLOW

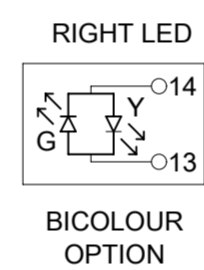
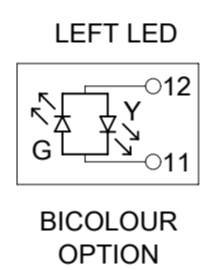
THIS DRAWING CONTAINS INFORMATION THAT IS PROPRIETARY TO MOLEX ELECTRONIC TECHNOLOGIES, LLC AND SHOULD NOT BE USED WITHOUT WRITTEN PERMISSION

DIMENSION UNITS mm	SCALE 5:1	CURRENT REV DESC: UPDATE TITLE BLOCK		molex		
GENERAL TOLERANCES (UNLESS SPECIFIED)		EC NO: 174255				
ANGULAR TOL ± 2.0°	4 PLACES ±	DRWN: DSHEA	2018/03/27	PRODUCT CUSTOMER DRAWING		
3 PLACES ±	2 PLACES ± 0.1	CHK'D: SMCGREEVY	2018/04/03	DOCUMENT NUMBER		
1 PLACE ± 0.2	0 PLACES ±	APPR: DBYRNES	2018/04/04	936260004		
DRAFT WHERE APPLICABLE MUST REMAIN WITHIN DIMENSIONS	THIRD ANGLE PROJECTION	INITIAL REVISION:	DRWN: DSHEA	2017/12/20	DOC TYPE	DOC PART
		APPR: DBYRNES	2018/02/01	MATERIAL NUMBER	CUSTOMER	REVISION
				SEE CHART	GENERAL MARKET	000 B
						SHEET NUMBER
						2 OF 3

Description	Value	
OCL @100 kHz, 0.1 V, 8 mA DC bias (-40°C to +85°C)	350 μH min.	
Turns ratio	1CT:1CT	
Transmission characteristics @ 25°C, all four pairs		
Insertion Loss		
Frequency f, (MHz)	Limits (dB max.)	Typical Values (dB max.)
1.0 - 9.9	0.4+0.1*log(f)	0.5 @ 10 MHz
10 - 49.9	0.5+0.3*log(f/10)	0.7 @ 50 MHz
50 - 79.9	1+1.4*log(f/80)	1.0 @ 80 MHz
80 - 100	1.3+3*log(f/100)	1.3 @ 100 MHz
Return Loss		
Frequency f, (MHz)	Limits (dB min.)	Typical Values (dB min.)
1.0 - 39.9	18	18 @ 40 MHz
40 - 100	12-20*log(f/80)	10 @ 100 MHz
CMR		
Frequency f, (MHz)	Limits (dB min.)	Typical Values (dB min.)
1.0 - 100	30	30 @ 100 MHz
NEXT		
Frequency f, (MHz)	Limits (dB min.)	Typical Values (dB min.)
1.0 - 39.9	35	35 @ 40 MHz
40 - 100	33-20*log(f/50)	27 @ 100 MHz
Isolation PHY to wire side	2.25 kV DC/60sec	



ETHERNET TERMINALS



THIS DRAWING CONTAINS INFORMATION THAT IS PROPRIETARY TO MOLEX ELECTRONIC TECHNOLOGIES, LLC AND SHOULD NOT BE USED WITHOUT WRITTEN PERMISSION									
DIMENSION UNITS	SCALE	CURRENT REV DESC: UPDATE TITLE BLOCK							
mm	1:1								
GENERAL TOLERANCES (UNLESS SPECIFIED)		EC NO: 174255			STD MXMAG 8 CORE GIG W/LEDS & W/SHIELD TABS				
ANGULAR TOL	± 2.0°	DRWN: DSHEA 2018/03/27							
4 PLACES	±	CHK'D: SMCGREEVY 2018/04/03			PRODUCT CUSTOMER DRAWING				
3 PLACES	±	APPR: DBYRNES 2018/04/04							
2 PLACES	± 0.1	INITIAL REVISION:			DOCUMENT NUMBER: 936260004 DOC TYPE: PSD DOC PART: 000 REVISION: B				
1 PLACE	± 0.2	DRWN: DSHEA 2017/12/20							
0 PLACES	±	APPR: DBYRNES 2018/02/01			MATERIAL NUMBER: SEE CHART CUSTOMER: GENERAL MARKET SHEET NUMBER: 3 OF 3				
DRAFT WHERE APPLICABLE MUST REMAIN WITHIN DIMENSIONS		THIRD ANGLE PROJECTION	DRAWING	SERIES					
			A2-SIZE	93626					

DOCUMENT STATUS	P1	RELEASE DATE	2018/04/04	10:20:17
-----------------	----	--------------	------------	----------