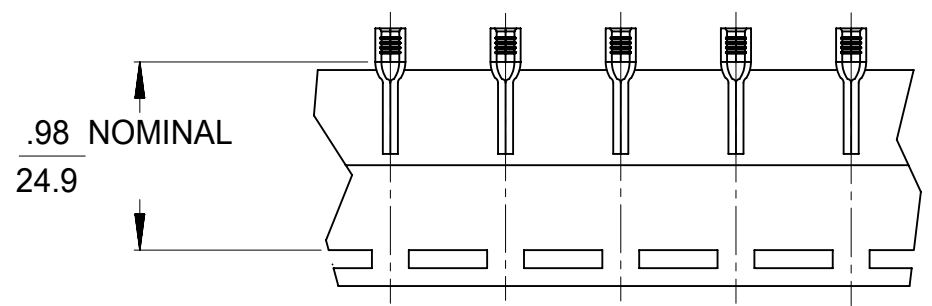
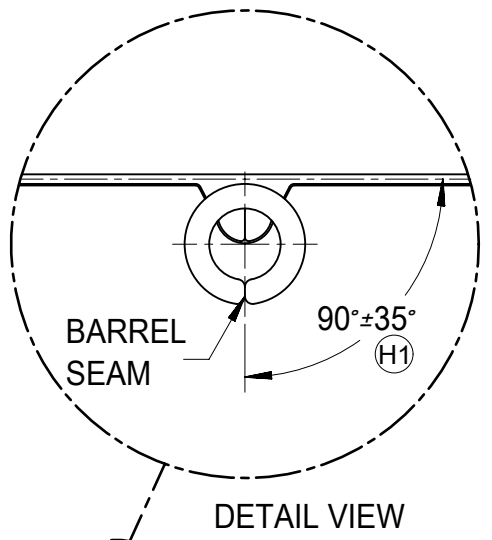
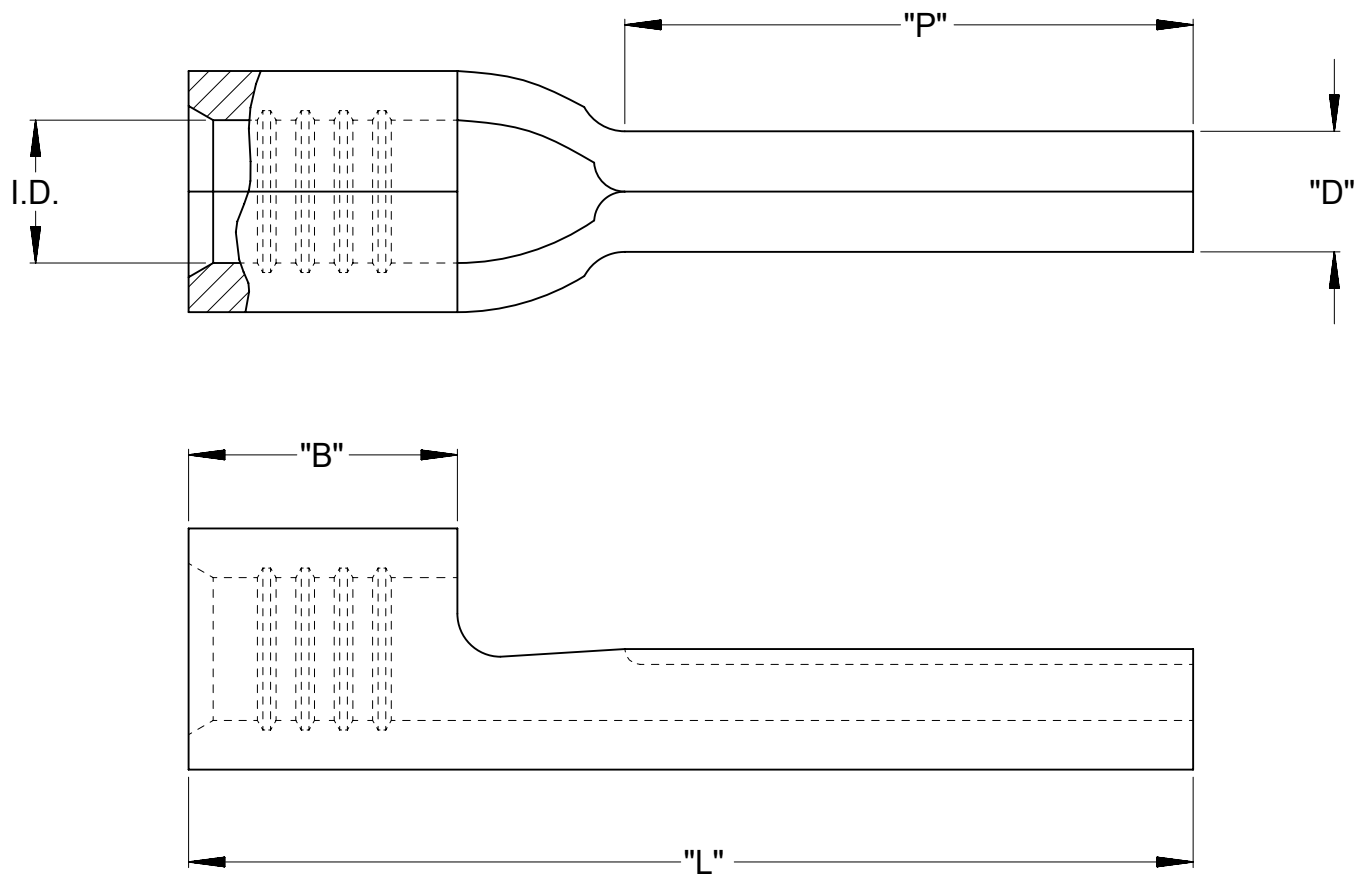


MATERIAL NO. LOOSE PIECE	ENGINEERING NO. LOOSE PIECE	MATERIAL NO. TAPE MOUNTED	ENGINEERING NO. TAPE MOUNTED	AWG	"ID" MIN	"B" MIN	"L" MAX	"P" MIN	"D" ± .01/0.3
192110003	WP-2218	192110004	WP-2218T	22-18	.055/1.40	.165/4.19	.70/17.78	.37/9.4	.078/1.98
192110005	WP-1614	192110006	WP-1614T	16-14	.081/2.06	.165/4.19	.70/17.78	.37/9.4	.078/1.98
192110001	WP-1210	192110002	WP-1210T	12-10	.129/3.28	.239/6.07	.84/21.34	.43/10.9	.107/2.72



PARTS ON TAPE

SALES DRAWING

- NOTES:
1. MATERIAL: COOPER
 2. FINISH: ELECTRO-TIN PLATING
 3. PARTS ARE RoHS COMPLIANT.

FUNCTIONAL SYMBOLS		THIS DRAWING CONTAINS INFORMATION THAT IS PROPRIETARY TO MOLEX ELECTRONIC TECHNOLOGIES, LLC AND SHOULD NOT BE USED WITHOUT WRITTEN PERMISSION		CURRENT REV DESC: TOLERANCE UPDATED		molex	
$\nabla_A = 0$	DIMENSION UNITS	SCALE	EC NO: 644203				
$\nabla_E = 0$	INCH/MM	NTS	DRWN: GROJAS01			TERMINALS 22-18, 16-14, 12-10 AWG	
$\nabla_P = 0$	GENERAL TOLERANCES (UNLESS SPECIFIED)		2020/01/06			PRODUCT CUSTOMER DRAWING	
DIVISIONAL SYMBOLS	MM	INCH	2020/08/31			DOCUMENT NUMBER	
4 PLACES ±	±	±	CHK'D: VNANDAM			SD-19211-002	
3 PLACES ±	±	±	APPR: DMYRICK			PSD 001 H1	
2 PLACES ±	±	±	INITIAL REVISION:			DOC TYPE	
1 PLACE ±	±	±	DRWN: B.ENDERLE			DOC PART	
0 PLACES ±	±	±	APPR: H.BIETZEL			REVISION	
ANGULAR TOL ± °	±	°	2002/02/14			1 OF 1	
DRAFT WHERE APPLICABLE MUST REMAIN WITHIN DIMENSIONS		THIRD ANGLE PROJECTION	DRAWING	SERIES	MATERIAL NUMBER	CUSTOMER	SHEET NUMBER
			B-SIZE	19211	SEE CHART	GENERAL MARKET	1 OF 1