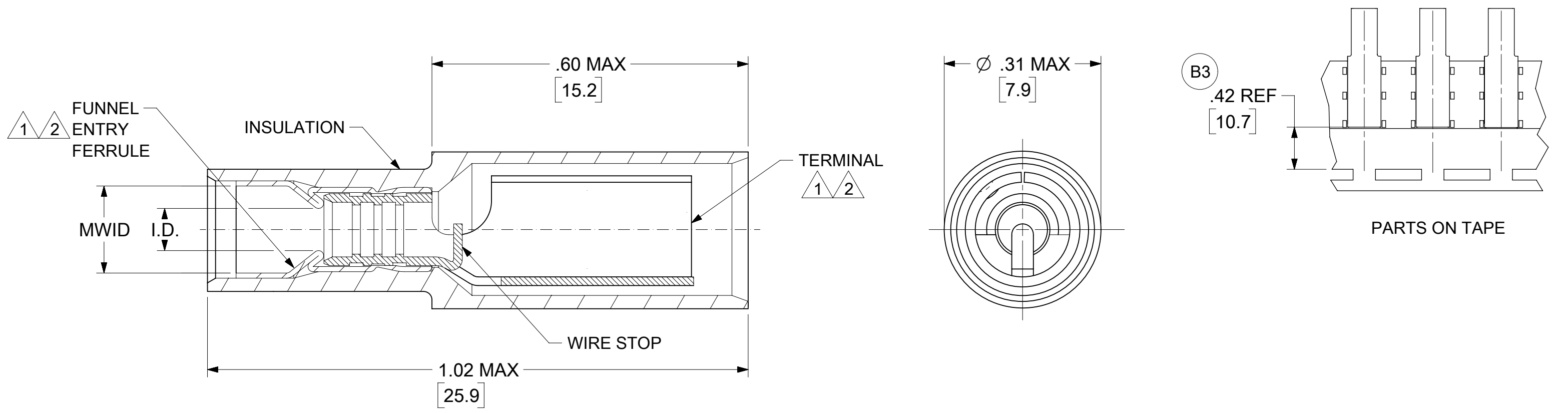


10	9	8	7	6	5	4	3	2	1	
MATERIAL NUMBER	ENGINEERING NUMBER	TAPE MATERIAL NUMBER	TAPE ENGINEERING NUMBER	WIRE RANGE AWG	MM ²	INSULATION HOUSING MATERIAL	INSULATION COLOR	FITS MALE PLUG DIA.	I.D. MIN.	MWID
190390001	BRA-8156	190390026	BRA-8156T	22-18	0.25-1.3	PVC	RED	.156/(3.96)	.062 (1.57)	.125 (3.18)
190390002	BRA-8156N	190390015	BRA-8156NT	22-18	0.25-1.3	NYLON	LIGHT RED	.156/(3.96)		
190390004	BRA-8180	190390029	BRA-8180T	22-18	0.25-1.3	PVC	RED	.180/(4.57)	.085 (2.16)	.145 (3.68)
190390005	BRA-8180N	190390017	BRA-8180NT	22-18	0.25-1.3	NYLON	RED	.180/(4.57)		
190390006	BRB-8156	190390023	BRB-8156T	16-14	1.0-2.6	PVC	BLUE	.156/(3.96)	.085 (2.16)	.145 (3.68)
190390007	BRB-8156N	190390016	BRB-8156NT	16-14	1.0-2.6	NYLON	LIGHT BLUE	.156/(3.96)		
190390009	BRB-8180	190390030	BRB-8180T	16-14	1.0-2.6	PVC	BLUE	.180/(4.57)		
190390010	BRB-8180N	190390018	BRB-8180NT	16-14	1.0-2.6	NYLON	BLUE	.180/(4.57)		



- NOTE(S):
- 1 MATERIAL: BRASS
 - 2 FINISH: ELECTRO-TIN PLATING
 - 3. INSULATION MATERIAL: SEE CHART
 - 4. MWID = MAXIMUM WIRE INSULATION DIAMETER
 - 5. PARTS ARE RoHS COMPLIANT.

THIS DRAWING CONTAINS INFORMATION THAT IS PROPRIETARY TO MOLEX ELECTRONIC TECHNOLOGIES, LLC AND SHOULD NOT BE USED WITHOUT WRITTEN PERMISSION										
FUNCTIONAL SYMBOLS	DIMENSION UNITS	SCALE	CURRENT REV DESC: TAPE HT DIM .42 REF WAS .39 REF							
	INCH/MM	NTS	<p>EC NO: 650071</p> <p>DRWN: DMYRICK 2020/11/19</p> <p>CHK'D: KBURROUGHS 2020/11/25</p> <p>APPR: KBURROUGHS 2020/11/25</p> <p>INITIAL REVISION:</p> <p>DRWN: BENDERLE 2003/05/29</p> <p>APPR: RDEROSS 2003/05/30</p>							
GENERAL TOLERANCES (UNLESS SPECIFIED)										
4 PLACES	±	MM								INCH
3 PLACES	±	0.13								0.01
DIVISIONAL SYMBOLS	2 PLACES	±	0.25	±	<p>DOCUMENT NUMBER: SD-19039-001</p> <p>DOC TYPE: PSD</p> <p>DOC PART: 001</p> <p>REVISION: B3</p>					
1 PLACE	±	0.13	0.01							
0 PLACES	±	0.25	0.01	MATERIAL NUMBER		CUSTOMER		SHEET NUMBER		
ANGULAR TOL		±	°	B-SIZE		19039		GENERAL MARKET 1 OF 1		
DRAFT WHERE APPLICABLE MUST REMAIN WITHIN DIMENSIONS			THIRD ANGLE PROJECTION		DRAWING		SERIES			