

PRODUCT FEATURES

- 100% Cisco Compatible MGBSX1
- Up to 1.25 Gb/s data links
- Hot-pluggable SFP footprint
- 1000BASE-SX Gigabit Ethernet
- 1x Fibre Channel
- 850nm VCSEL laser transmitter
- RoHS compliant and Lead Free
- Up to 550m on 50/125um MMF
- Up to 500m on 62.5/125um MMF
- Metal enclosure for lower EMI
- Built-in digital diagnostics (DDM)
- Duplex LC Connector
- Single +3.3V power supply
- Low power dissipation <800mW
- Commercial Temperature Range
- SFP MSA SFF-8074i Compliant



GENERAL

MGBSX1-HPC Small Form Factor Pluggable (SFP) transceivers are compatible with the Small Form Factor Pluggable Multi-Sourcing Agreement (MSA). The Cisco compatible 1000BASE-SX SFP transceivers are high performance, cost effective modules supporting dual data-rate of 1.25Gbps/1.063Gbps and 550m transmission distance over Multimode Fiber.

REGULATORY COMPLIANCE

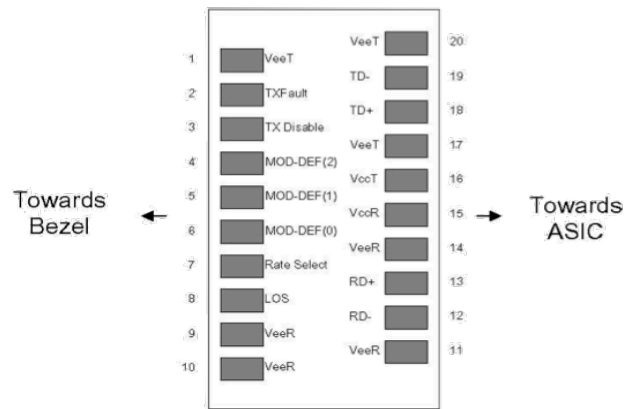
- ESD to the Electrical PINs: compatible with MIL-STD-883 Method 3015
- ESD to the Duplex LC Receptacle: compatible with IEC 61000-4-2
- Immunity compatible with IEC 61000-4-3
- EMI compatible with FCC Part 15 Class B EN55022 Class B (CISPR 22B)
- Laser Eye Safety compatible with FDA 21CFR 1040.10 and 1040.11 EN60950, EN (IEC) 60825-1,2
- RoHS compliant with 2002/95/EC 4.1&4.2 2005/747/EC

PIN DESCRIPTIONS

Pin	Symbol	Name/Description	Ref.
1	VeeT	Transmitter Ground (Common with Receiver Ground)	1
2	TX Fault	Transmitter Fault	
3	TX Disable	Transmitter Disable. Laser output disabled on high or open	2
4	MOD_DEF(2)	Module Definition 2. Data line for Serial ID	3
5	MOD_DEF(1)	Module Definition 1. Clock line for Serial ID	3
6	MOD_DEF(0)	Module Definition 0. Grounded within the module	3
7	Rate Select	No connection required	
8	LOS	Loss of Signal indication. Logic 0 indicates normal operation	4
9	VeeR	Receiver Ground (Common with Transmitter Ground)	1
10	VeeR	Receiver Ground (Common with Transmitter Ground)	1
11	VeeR	Receiver Ground (Common with Transmitter Ground)	1
12	RD-	Receiver Inverted DATA out. AC Coupled	
13	RD+	Receiver Non-Inverted DATA out. AC Coupled	
14	VeeR	Receiver Ground (Common with Transmitter Ground)	1
15	VccR	Receiver Power Supply	
16	VccT	Transmitter Power Supply	
17	VeeT	Transceiver Ground (Common with Transmitter Ground)	1
18	TD+	Transceiver Non-Inverted DATA in. AC Coupled	
19	TD-	Transmitter Inverted DATA in. AC Coupled	
20	VeeT	Transmitter Ground (Common with Receiver Ground)	1

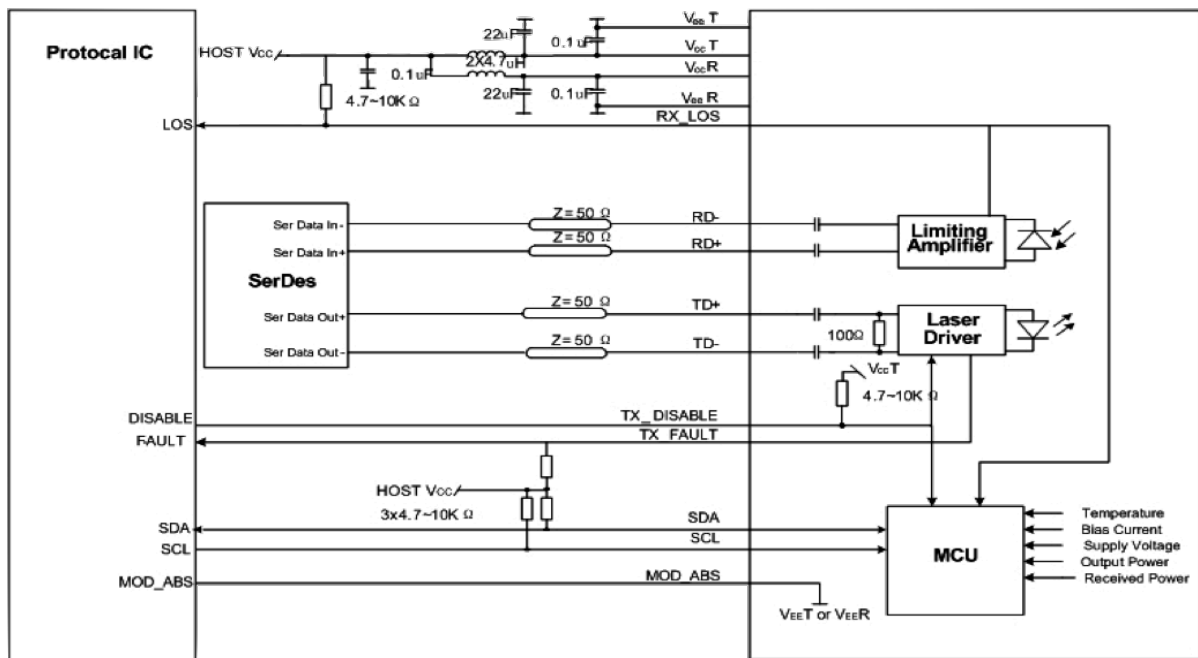
Notes:

1. Circuit ground is internally isolated from chassis ground.
2. Laser output disabled on TX Disable >2.0V or open, enabled on TX Disable <0.8V.
3. Should be pulled up with 4.7k - 10kohms on host board to a voltage between 2.0V and 3.6V. MOD_DEF(0) pulls line low to indicate module is plugged in.
4. LOS is open collector output. Should be pulled up with 4.7k – 10kohms on host board to a voltage between 2.0V and 3.6V. Logic 0 indicates normal operation; logic 1 indicates loss of signal.



Pin-out of Connector Block on Host Board

RECOMMENDED CIRCUIT SCHEMATIC



ABSOLUTE MAXIMUM RATING

Parameter	Symbol	Min	Typ	Max	Unit	Ref.
Maximum Supply Voltage	Vcc	-0.5	-	+4.0	V	
Storage Temperature	TS	-40	-	+85	°C	
Operating Humidity	RH	5	-	95	%	

RECOMMENDED OPERATING CONDITIONS

Parameter	Symbol	Min	Typ	Max	Unit	Ref.
Power Supply Voltage	Vcc	3.13	3.30	3.47	V	
Power Supply Current	Icc	-	-	250	mA	
Case Operating Temperature	Tc	0	-	+70	°C	
Data Rate (Gigabit Ethernet)	-	-	1.25	-	Gbps	
Data Rate (Fibre Channel)	-	-	1.063	-	Gbps	
50/125um MMF	Lmax	-	-	550	m	

ELECTRICAL CHARACTERISTICS (TOP=25°C, VCC=3.3Volts)

Parameter	Symbol	Min	Typ	Max	Unit	Ref.
Transmitter						
Input differential impedance	Rin	-	100	-	Ω	1
Single ended data input swing	Vin, pp	250	-	1200	mV	
TX Disable-High	-	Vcc - 1.3	-	Vcc	V	
TX Disable-Low	-	Vee	-	Vee + 0.8	V	
TX Fault-High	-	Vcc - 0.5	-	Vcc	V	
TX Fault-Low	-	Vee	-	Vee + 0.5	V	
Receiver						
Single ended data output swing	Vout, pp	300	400	800	mV	2
Data output rise time	tr	-	-	175	ps	3
Data output fall time	tr	-	-	175	ps	3
LOS-High	-	Vcc - 0.5	-	Vcc	V	
LOS-Low	-	Vee	-	Vee + 0.5	V	

Notes:

1. AC Coupled
2. Into 100 ohm differential termination
3. 20% to 80%

OPTICAL CHARACTERISTICS (TOP=25°C, VCC=3.3Volts)

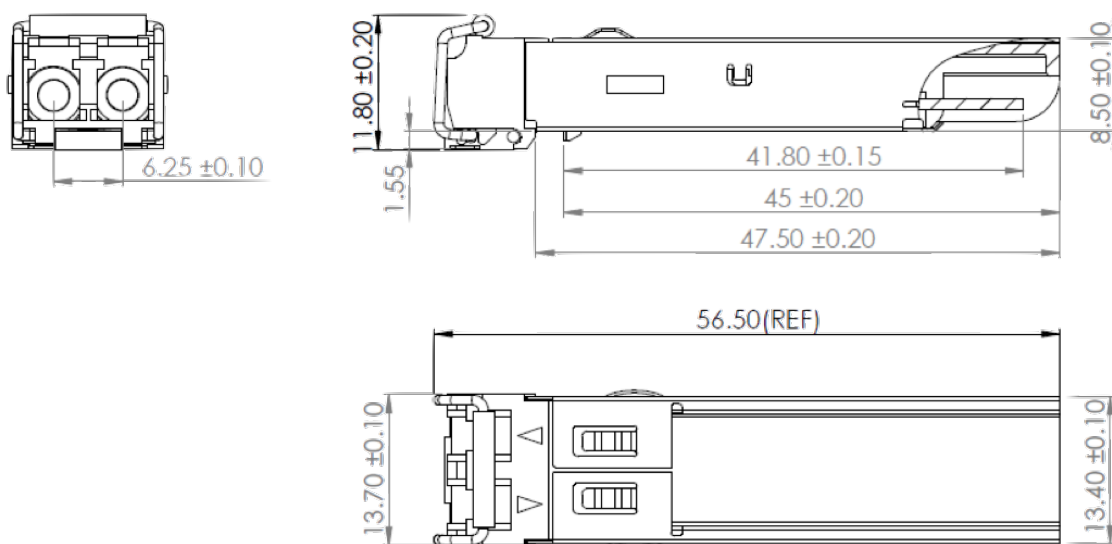
Parameter	Symbol	Min	Typ	Max	Unit	Ref.
Transmitter						
Output Opt. Power	PO	-9	-	-4	dBm	1
Optical Wavelength	λ	830	850	860	nm	
Spectral Width	σ	-	-	0.85	nm	
Optical Rise/Fall Time	tr/ta	-	-	260	ps	2
Total Jitter	TJ	-	-	200	ps	
Optical Extinction Ratio	ER	9	-	-	dB	
Receiver						
RX Sensitivity @ 1.25Gb/s	RSENS	-	-	-18	dBm	3
Maximum Received Power	RXMax	0	-	-	dBm	
Optical Center Wavelength	λ_C	770	-	860	nm	
LOS De-Assert	LOSD	-	-	-26	dBm	
LOS Assert	LOSA	-40	-	-	dBm	
LOS Hysteresis	-	0.5	-	5	dB	

Notes:

1. Class 1 Laser Safety
2. Unfiltered, 20-80%. Complies with GE and 1x FC eye masks when filtered,.
3. Measured with conformance signals defined in FC-PI-2 Rev. 10.0 specifications.

MECHANICAL SPECIFICATIONS

Small Form Factor Pluggable (SFP) transceivers are compatible with the dimensions defined by the SFP Multi-Sourcing Agreement (MSA).

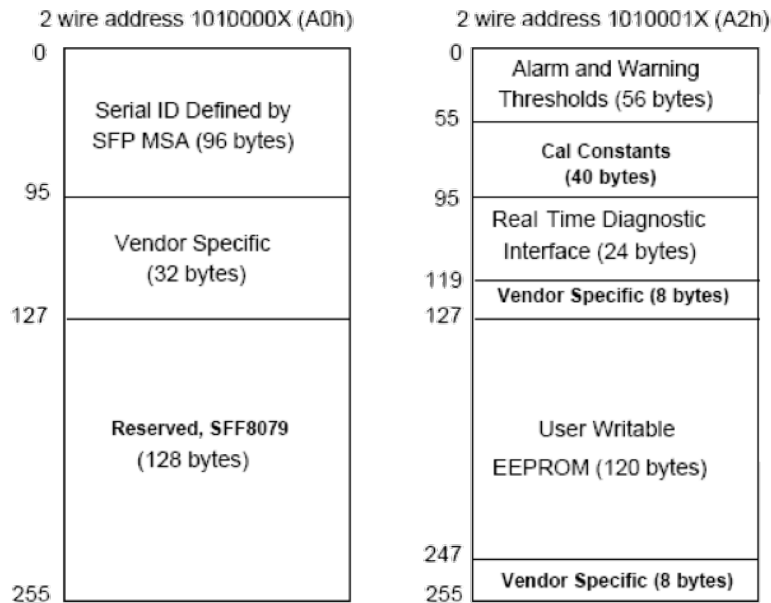


MGBSX1-HPC

**DIMENSIONS IN MILLIMETERS*

EEPROM INFORMATION

EEPROM memory map specific data field description is as below:



DIGITAL DIAGNOSTIC MONITORING INTERFACE

Five transceiver parameter values are monitored. The following table defines the monitored parameter's accuracy.

Parameter	Range	Accuracy	Calibration
Temperature	0°C to 70°C	±3°C	Internal
Voltage	2.97 to 3.63V	±3%	Internal
Bias Current	0 to 100mA	±10%	Internal
TX Power	-9 to -4dBm	±3dB	Internal
RX Power	-18 to 0dBm	±3dB	Internal

ORDERING INFORMATION

Part Number	Product Description
MGBSX1-HPC	Cisco Compatible 1.25G SX MMF 850nm SFP Transceiver