



ETA-USA

The Power Professionals

AOPS 50

50W AC/DC



Features

- Small Size Height 82mm 50-150 2U
- 50~150
- Wide Input voltage range free voltage
- Over voltage protection
- Overcurrent protection
- High power factor built in PFC circuit
- **4 Yr warranty**

CE CB **RoHS**

MODEL/CHANNEL		Unit	AOPS50-3.3	AOPS50-05	AOPS50-09	AOPS50-12	
OUTPUT	Nominal Voltage	V	3.3	5	9	12	
	Setting Voltage Range	V	3.27~3.33	4.95~5.05	8.91~9.09	11.88~12.12	
	Current	A	10	10	5.6	4.3	
	Rated Power	W	33	50	50	52	
	Line Regulations	mV	25	25	45	60	
	Load Regulations	mV	50	50	90	120	
	Temperature Drift	mV	50	75	135	180	
	Ripple & Noise(pk-pk) (*1)	mV	120	120	140	170	
	Turn-on Time typ.	ms	500(AC IN 85V, Io=100%)				
Hold-up Time typ.	ms	17(AC IN 85V, Io=100%)					
INPUT	Voltage, Frequency	V	AC100-240(AC85-264), 50/60HZ(47-63) or DC125-370V (Universal Input)				
	Current Typ.	110V 220V	A	0.5 0.3	0.7 0.4		
	Efficiency	110V 220V	%	77 78	81 82	79 81	80 82
	Power Factor Typ.	110V 220V	-	0.98 0.93	0.99 0.95		
	Inrush Current Typ.	110V 220V	A	20 (Ta= 25°C, Cold Start, I=100%) 40 (Ta= 25°C, Cold Start, I=100%)			
	Leakage Current	110V 1mA Max	mA	0.4 0.75			



ETA-USA

16170 Vineyard Blvd. Suite 180 Morgan Hill, CA 95037 <http://www.eta-usa.com>
Toll-free (US only): 800-ETA-POWR (800-382-7697) Telephone: 408 778-2793 FAX: 408-779-2753



AOPS 50

50W AC/DC

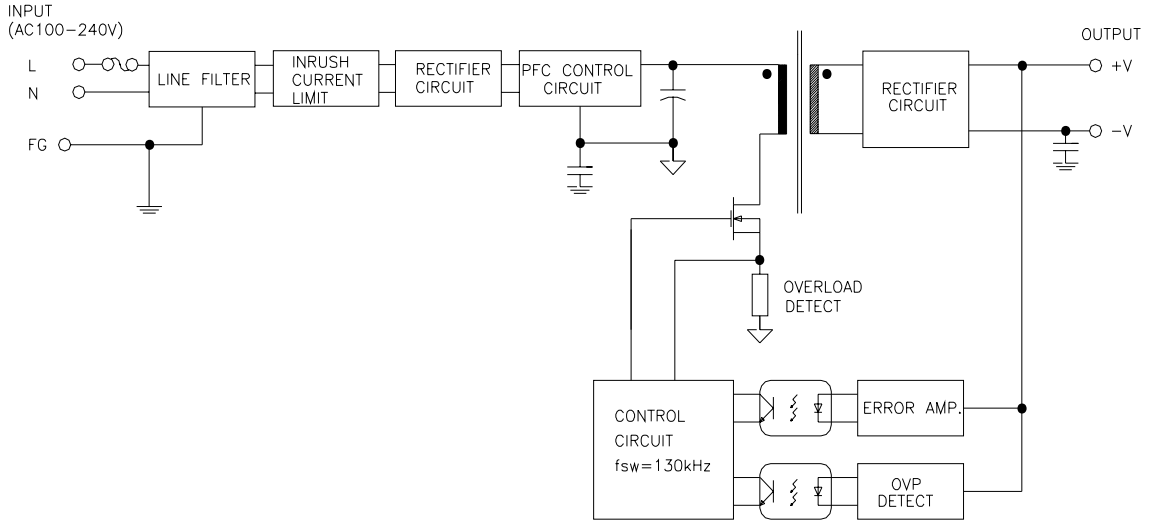
MODEL/CHANNEL		Unit	AOPS50-15	AOPS50-24	AOPS50-48	
OUTPUT	Nominal Voltage	V	15	24	48	
	Setting Voltage Range	V	14.85~15.15	23.76~24.24	47.52~48.48	
	Current	A	3.5	2.2	1.1	
	Rated Power	W	53	53	53	
	Line Regulations	mV	75	120	240	
	Load Regulations	mV	150	240	480	
	Temperature Drift	mV	225	360	720	
	Ripple & Noise(pk-pk) (*1)	mV	200	290	530	
	Start-up, Rise Time typ.	ms	500 (AC IN 85V, Io=100%)			
	Hold-up Time typ.	ms	17 (AC IN 85V, Io=100%)			
INPUT	Voltage, Frequency	V	AC100-240(AC85-264), 50/60Hz(47-63) or DC125-370V(Universal Input)			
	Current 110V Typical 220V	A	0.7 0.4			
	Efficiency 110V Typ. 220V	%	81 83	82 84	83 85	
	Inrush Current 110V Typical 220V	A	20 (Ta=25°C, Cold Start, I=100%) 40 (Ta=25°C, Cold Start, I=100%)			
	Leakage Current Max 110V 220V	mA	0.4 0.75			
	Function	Over Voltage Protection	V	Works at 115~140% of rating		
		Over Current Protection (*2)	A	Works @105% ~135% of rating		
Parallel/Series Operation		-	Series operation possible			
Cooling /O.T.P		-	Convection cooling			
Isolation	Input - Output	-	AC 3 KV 1min., cut off: 20mA/DC 500V 100 MO			
	Input - F.G	-	AC 2 KV 1min., cut-off: 20mA/DC500V 100 MO			
	Output - F.G	-	AC 0.5 KV 1min., cut-off: 100mA/DC500V 100 MO			
Environment	Operating temp. & Humidity	-	-10 ~+70°C 20~90% RH (NON condensing)			
	Storage temp. & Humidity	-	-20 ~+75°C with derating. 20~90% RH (NON condensing)			
	Vibration	-	10~55Hz @ 1G 3 minutes PERIOD, 30 minutes along X,Y & Z axis			
	Safety	-	CB, CE, RU EN60950-1, approved			
	Emission	-	Complies with EN55022-B Complies with IEC61000-3-2			
Dimension	Size(LxWxH) /Weight	mm/g	120Lx82Wx32H/300			





AOPS 50

50W AC/DC



AOPS 50

50W AC/DC

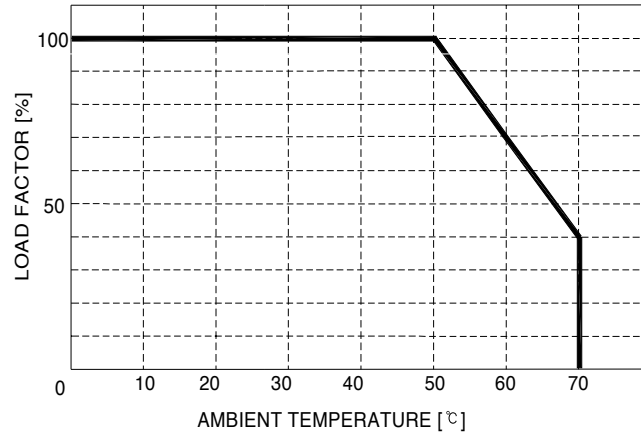
Mark	Pin Connection	Function
L	AC L	SMPS AC Terminal (Fuse in Line)
N	AC N	SMPS AC Terminal
F.G	Frame ground	SMPS AC, CASE
+V	DC Output (+)	DC (+) Terminal
-V	DC Output (-)	DC (-) Terminal





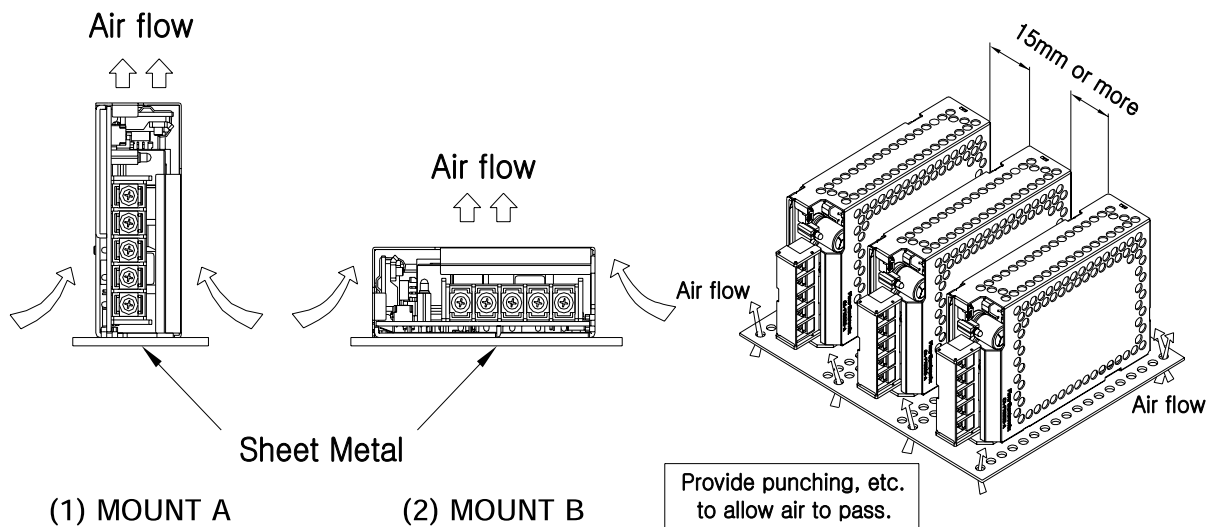
AOPS 50

50W AC/DC



AOPS 50

50W AC/DC



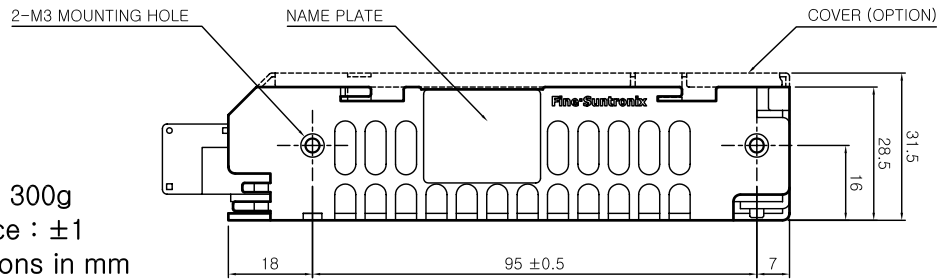
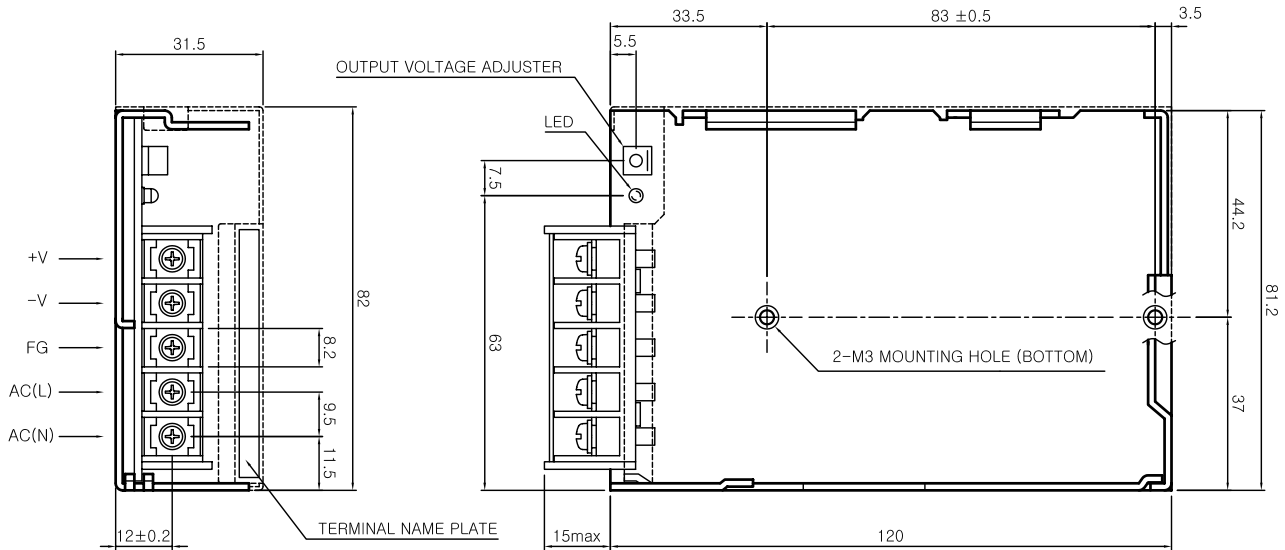


ETA-USA

The Power Professionals

AOPS 50

50W AC/DC



- Weight : 300g
- Tolerance : ±1
- Dimensions in mm



ETA-USA

16170 Vineyard Blvd. Suite 180 Morgan Hill, CA 95037 <http://www.eta-usa.com>
Toll-free (US only): 800-ETA-POWR (800-382-7697) Telephone: 408 778-2793 FAX: 408-779-2753