

# MFE-SST | Push-pull clamps

Stainless steel



## MATERIAL

AISI 304 stainless steel.

## RIVETS

AISI 304 stainless steel.

## PUSH LEVER

AISI 304 stainless steel.

## REFERENCE BUSHING

AISI 303 stainless steel.

## NUT

AISI 304 stainless steel.

## BUSHING FIXING SCREWS

AISI 303 stainless steel.

## HANDLE

Polyurethane, red colour.

## FIXING SQUARE

AISI 304 stainless steel (to be ordered separately).

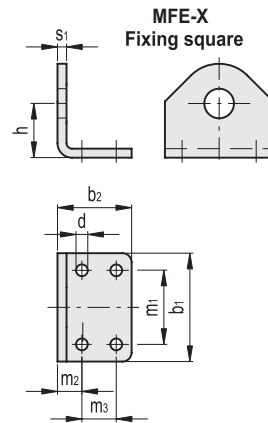
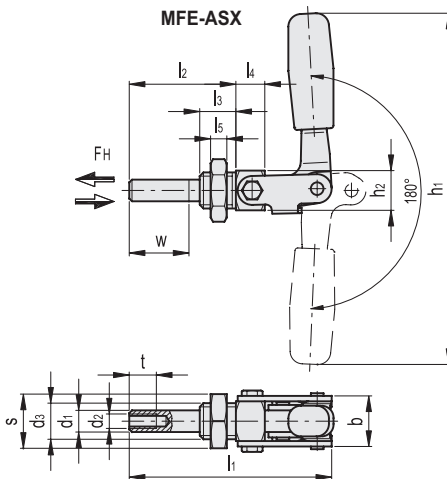
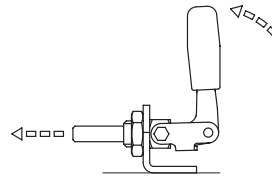
## CLAMPING BOLTS

To be ordered separately.

## FEATURES AND APPLICATIONS

All articulated joints are lubricated with special grease.

Thanks to the front outer thread, MFE. clamps can be mounted in a way that the control lever is conveniently positioned using fixing squares (to be ordered separately), or frontally directly on the equipment. Both push and pull clamping can be performed effectively.



## MFE-ASX



Code	Description	b	d1	d2	d3	h1	h2	l1	l2	l3	l4	l5	s	t	Stroke w	FH [N]*	
GG.AS401	MFE.80-ASX	24	10	M6	M16x1.5	120	19	71	38	15.5	10	8	24	12	21	3000	135
GG.AS406	MFE.165-ASX	28	12	M8	M20x1.5	194	22	113	59	20	16	9	30	15	38	5400	335
GG.AS411	MFE.340-ASX	38	16	M10	M24x2	256	30	173	90	22	28	10	36	18	66	7000	835

## MFE-X



Code	Description	b1	b2	d	h	m1	m2	m3	s1	For MFE
GG.AS416	MFE.30080X	35	22	5.5	24	20	12	-	4	MFE.80-ASX
GG.AS421	MFE.30165X	60	41	6.5	32	41	13.5	19	5	MFE.165-ASX
GG.AS426	MFE.30340X	75	59	8.5	48	55	19	25	5	MFE.340-ASX

\* Holding force.



Models all rights reserved in accordance with the law. Always mention the source when reproducing our drawings and photos.



Toggle clamps

