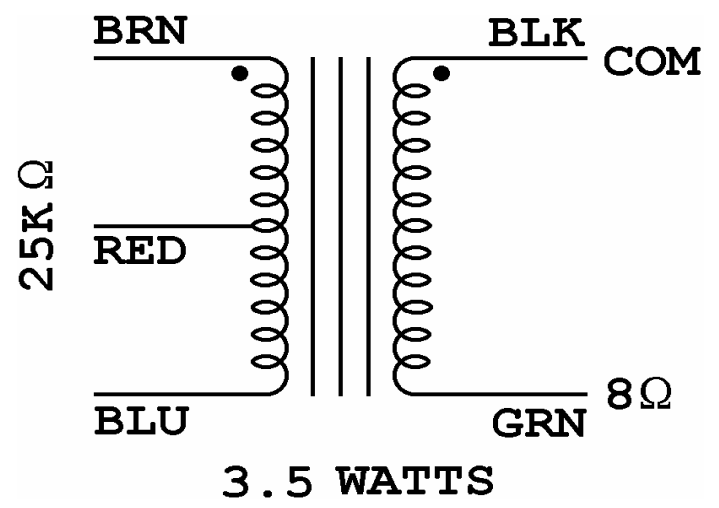
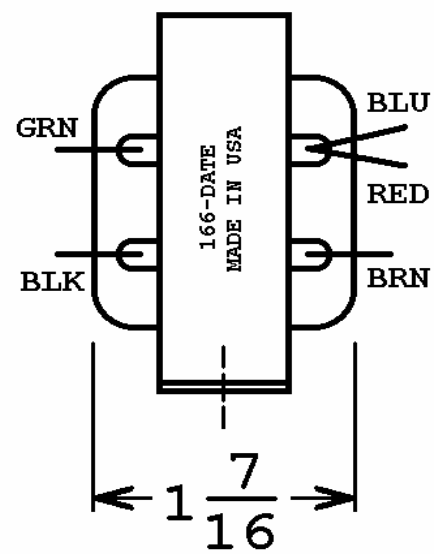
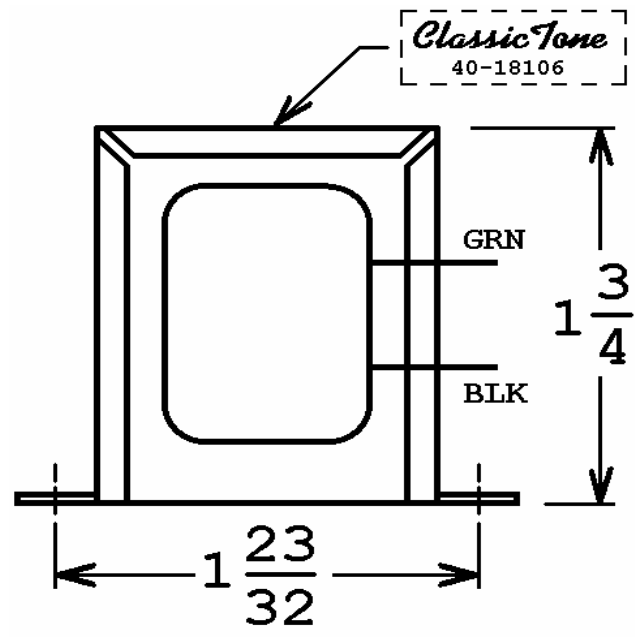


This drawing is the property of Magnetic Components, Inc. and shall not be reproduced, in whole or in part, without the written permission of Magnetic Components, Inc.

REVISIONS			
LTR	DESCRIPTION	DATE	APPROVED



PUSH-PULL OUTPUT TRANSFORMER FOR USE WITH PREAMP TUBES.

SUGESTED TUBES :

- 12AX7
- 12AU7
- 12AT7

UNLESS OTHERWISE SPECIFIED		SIGNATURES		DATE		MAGNETIC COMPONENTS, INC.		DIV :		
ALL DIMENSIONS IN INCHES DO NOT SCALE DRAWING		DRAWN : <i>[Signature]</i>		24 JUL 2015		TITLE		LOC : SCHILLER PK		
FRACTIONS +/-		CHECK :				OUTPUT TRANSFORMER				
.X = +/-		APPR : <i>[Signature]</i>		24 JUL 2015		CAGE	50508	SIZE	PART No.	REV
.XX = +/-						SCALE		A		40-18106
.XXX = +/-										-
ANGLES = +/-										SHEET :